

**CPRA SERIES GARAGE LIGHT**

Client:  
 Project:  
 Type:  
 Quantity:

**CONSTRUCTION**

Rugged die-cast aluminum housing with corrosion resistant powder coat finish both protects and provides architectural appearance.  
 Heat dissipating fins provide superior thermal performance extending the life of the luminaire. Feed-through wiring ready, 1/2" NPT threading with water tight cap.

**OPTICS**

Round drop lens constructed of polycarbonate material with refractive features built in to maximize area coverage, offers 1% uplight.

**ELECTRICAL**

70+ CRI Lumileds LED.  
 -40°C up to 45°C (-40°F up to 113°F) maximum operating temperature.  
 120,000 hr at L70 @ 25°C, 95,000 hr at L70 40°C.  
 Driver operates at 120-277V input, 50/60Hz, 1-10V dimming driver standard. Option to have dimming leads pulled out for easy connection.  
 12V AUX 3.5mm sensor receptacle for SENSOR-ANT-6-4T.  
 <20% THD, 0.9 power factor.  
 Optional Emergency Backup Battery.

**SENSORS (OPTIONAL)**

SENSOR-ANT-6-4T Plug-N-Play PIR on/off/dimming/photosensing.  
 SENSOR-BLE-6-4T Integral PIR ALS Control bluetooth/on/off/dimming/photosensing.  
 SENSOR-BLE-819 End mount ALS CONTROL bluetooth on/off motion sensor lowbay lens.  
 SENSOR-PH-PB-U Integral button style photocell.  
 CONTROL-LVFA AVI-ON Bluetooth Mesh Controller.

**MOUNTING**

Integrated universal mounting plate which mounts directly to 4" round, octagonal, and square junction boxes. The easy to install quick-mount bracket system allows for free hand wiring suitable for mounting to a surface mounted j-box or to a rigid or free swinging pendant (supplied by others).  
 3/4" conduit entry on top for pendant mount. 1/2" conduit entry on two sides.

**STANDARD FINISH**

Corrosion resistant semi-gloss White finish.

**CUSTOM FINISH**

Corrosion resistant Dark Bronze, Black, Graphite Metallic, Gray, Silver, Custom RAL#.

**CERTIFICATION**

IP66 Wet location label standard.  
 Meets Buy America Act requirements.  
 All luminaires are built to UL1598 standards and bear appropriate cULus labels.  
 For Emergency application, equipment with UL924 certified battery packs.  
 DLC® Premium (DesignLights Consortium Qualified)

**WARRANTY**

5 year warranty, see Limited Warranty for additional information.



CPRA-60



CPRA-80

**SHIPPING DATA**

Product	Measurement	Weight
CPRA-60	13"L x 13"W x 4"H	6 lb
CPRA-80	13"L x 13"W x 4"H	6 lb



**CPRA SERIES GARAGE LIGHT**

**ORDER INFORMATION** **EXAMPLE : CPRA 60SC F WH UD**

Fixture	Series	Power & LM	CCT	Distribution	Mounting	Finish	Input
	<b>CPRA</b>		<b>SC</b>	<b>F</b>	<b>JM</b>		<b>UD</b>
	<b>Accessories</b>						
	<b>Options</b>						

**A SERIES**

**CPRA** Circular Garage Light Selectable

**B POWER & LM**

Code	Power	LM
<b>60</b>	Field Selectable 22/34/46/60W	3600/5000/6500/7500lm
<b>80</b>	Field Selectable 32/48/64/80W	4480/6580/8510/10400lm

**C CCT**

**SC** Field Selectable 4000 / 5000K

**D DISTRIBUTION**

**F** Frosted Drop Lens

**E MOUNTING**

**JM** Surface Mount (3/4" conduit entry on top)

**F FINISH**

Standard						
<b>WH</b>	White					
Custom Color						
<b>CC</b>	<b>DB</b>	Dark Bronze	<b>BK</b>	Black	<b>GM</b>	Graphite Metallic
	<b>GR</b>	Gray	<b>SV</b>	Silver		<b>RAL#</b>

**G INPUT**

**UD** 120-277V, 0-10V Dimmable

**H ACCESSORIES/OPTIONS**

<b>BAA</b>	Assembled in America, compliant with BAA (COTS)
<b>EMB-8W*</b>	External 90-Minute Self-Diagnostic Emergency Battery 8w 170VDC Forward Voltage
<b>SENSOR-BLE-819-L1*</b>	End Mount PIR Bluetooth Daylight Harvesting Sensor (ALS Control Mobile App) / <b>L1</b> : up to 20FT
<b>SENSOR-ANT-6-4T*</b>	Integral PIR on/off/dimming/photosensing
<b>SENSOR-ANT-6-4T-EM*</b>	Integral PIR on/off/dimming/photosensing with EMB
<b>SENSOR-BLE-6-4T*</b>	Plug-N-Play Bluetooth on/off/dimming/Daylight Harvesting Sensor (ALS Control Mobile App)
<b>SENSOR-BLE-6-4T-EM*</b>	Plug-N-Play Bluetooth on/off/dimming/Daylight Harvesting Sensor (ALS Control Mobile App) for EMB application
<b>SENSOR-PH-PB-U*</b>	Button Style Photocell
<b>CONTROL-LVFA*</b>	AVI-ON Bluetooth Mesh Control System
<b>REMOTE-RC100</b>	Handheld Remote Commissioning Tool for SENSOR-ANT (1 per job)

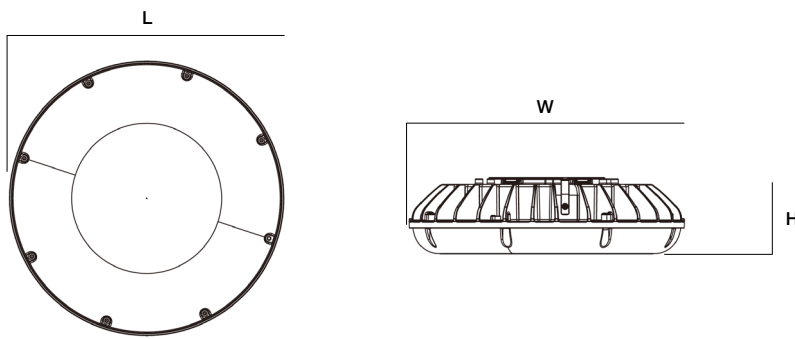
\*see page 5 for sensor and emb spec

**CPRA SERIES GARAGE LIGHT**

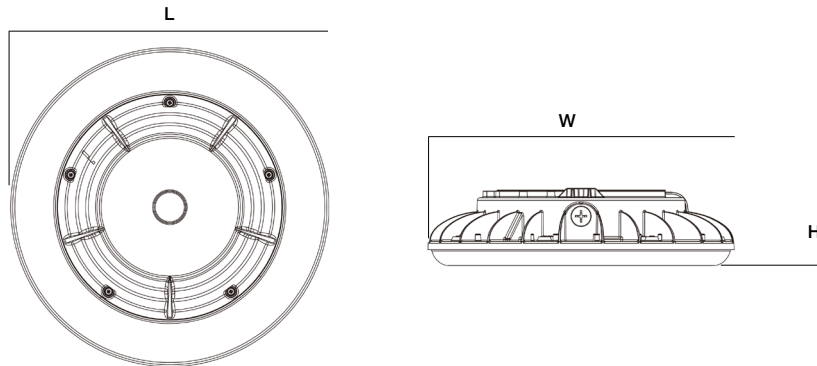
**DIMENSIONS**

Power	L	W	H
CPRA-60	ø 12.00" (305mm)	ø 12.00" (305mm)	3.32" (84mm)
CPRA-80	ø 13.04" (331mm)	ø 13.04" (331mm)	3.26" (83mm)

**CPRA-60**



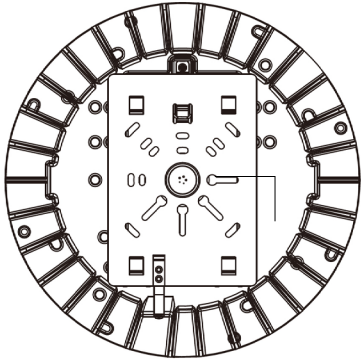
**CPRA-80**



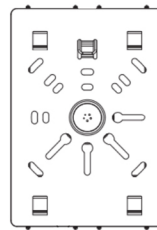
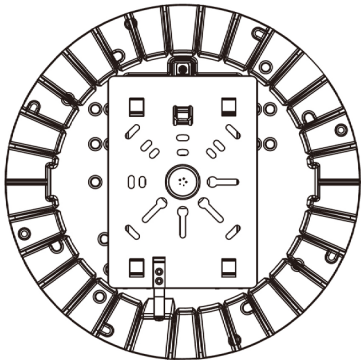
## CPRA SERIES GARAGE LIGHT

### MOUNTING OPTIONS

#### CPRA-60

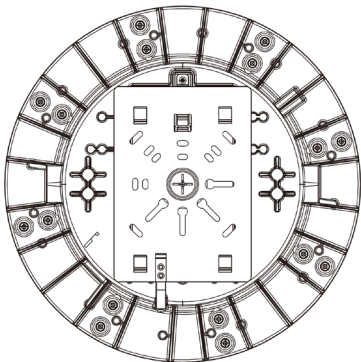


3/4" conduit entry on top for pendant mount

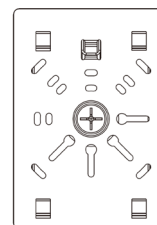
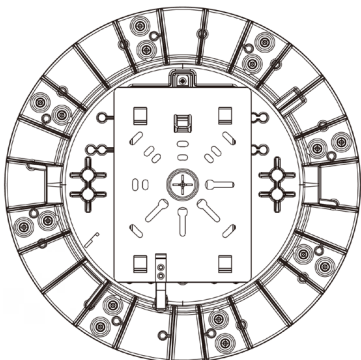


Surface Mount Plate  
For direct mounting with electrical box

#### CPRA-80



3/4" conduit entry on top for pendant mount



Surface Mount Plate  
For direct mounting with electrical box

**CPRA SERIES GARAGE LIGHT**

**PERFORMANCE DATA**

CPRA-60		4000K		5000K		QTY ON PALLET
SYSTEM WATTS	VOLTAGE	LUMENS	LPW	LUMENS	LPW	
22W	120-277V	3,600	164	3500	159	252
34W	120-277V	5,000	147	4,900	134	252
46W	120-277V	6,500	141	6,300	137	252
60W	120-277V	7,700	128	7,500	125	252

CPRA-80		4000K		5000K		QTY ON PALLET
SYSTEM WATTS	VOLTAGE	LUMENS	LPW	LUMENS	LPW	
32W	120-277V	4,480	140	4,320	135	252
48W	120-277V	6,580	137	6,350	132	252
64W	120-277V	8,510	133	8,200	128	252
80W	120-277V	10,400	130	10,000	125	252

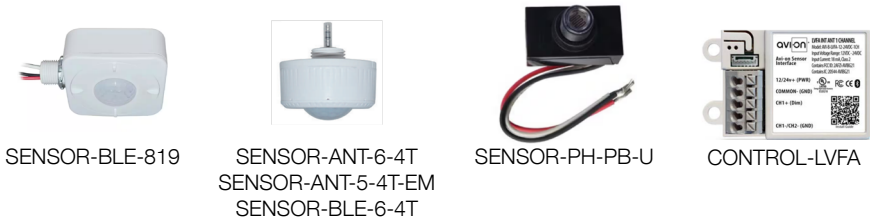
**DLC CODE**

Part Number	DLC Part Number	DLC Class
CPRA - 60 SC F - XX DB UD	OEM Part #: MCP0360W27VDDK[D,B,W][Blank,M]PG Product ID: S-W23ZD1	Premium
CPRA - 80 SC F - XX DB UD	OEM Part #: MCP0380W27VDDK[D,B,W][Blank,M]PG Product ID: S-W23ZD1	Premium

**CPRA SERIES GARAGE LIGHT**

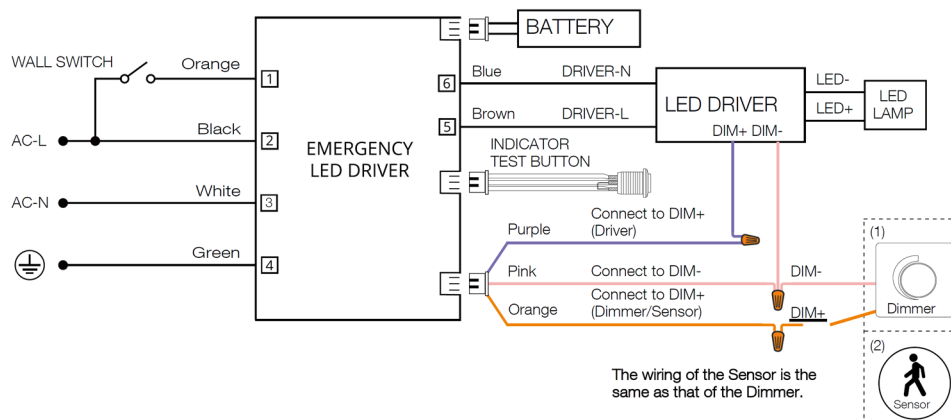
**SENSOR SPEC**

Model	Type	Mounting	Coverage	Input	Function	Programmable
SENSOR-BLE-819 (see page 8 for detail)	PIR	L1 - 20FT	30FT radius	Universal	Bluetooth Mesh On/Off/Dimming Daylight Harvesting	ALS Control Bluetooth Mobile App
SENSOR-ANT-6-4T SENSOR-ANT-6-4T-EM	PIR	up to 40FT	30FT radius	12V DC	On/Off/Dimming	REMOTE-RC100
SENSOR-BLE-6-4T SENSOR-BLE-6-4T-EM (see page 9 for detail)	PIR	up to 40FT	30FT radius	12V DC	Bluetooth Mesh On/Off/Dimming Daylight Harvesting	ALS Control Bluetooth Mobile App
SENSOR-PH-PB-U	-	-	-	Universal	Dusk-to-Dawn Control	-
CONTROL-LVFA (see page 7 for detail)	Fixture Controller	-	-	12V DC	Bluetooth Mesh On/Off/Dimming Scheduling	AVI-ON Bluetooth Mobile App



**EMB SPEC**

Model	Battery Capacity	Input	Output	Output Power	Operating Temp	Installation
EMB-8W	90mins	100-347VAC	170VDC	8W	0°C ~ 50°C 32°F ~ 122°F	Field Install Factory Install



**CPRA SERIES GARAGE LIGHT**

**CONTROL-LVFA SPEC**

**Status LEDs & Config Button**

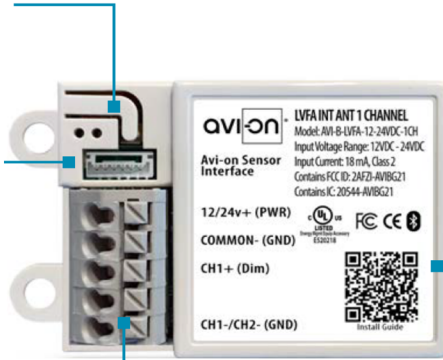
Quick and easy validation of wiring and network

**Direct Connect™ Sensor Port**

Simple and cost-effective addition to Avi-on sensors

**Terminal Blocks & Mounting Tabs**

Faster, easier and lower cost installation eliminating connectors



**Internal Antenna**

Improved performance and eliminates risk of accidentally cutting a hanging wire

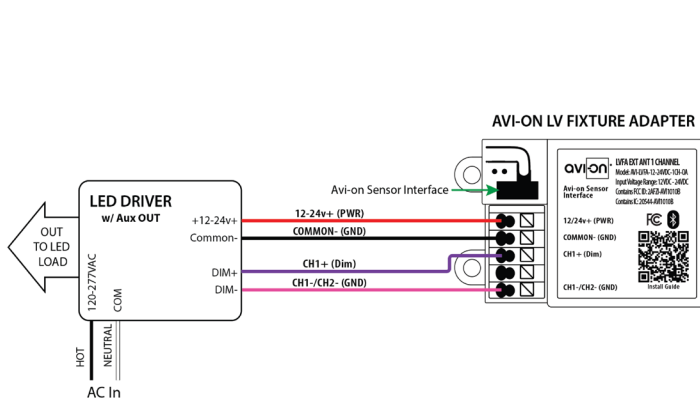
**SPECIFICATIONS**

**INPUT VOLTAGE:** 12-24VDC  
**CURRENT:** 15mA without a Sensor  
 19mA with a DC PIR Sensor  
 48mA with a DC Microwave Sensor  
**0-10V DIMMING:** 12-24VDC  
**SIZE:** 2.30in x 1.43in x 0.75in  
 (58.2mm x 36.4mm x 19mm)  
**MOUNTING:** Removable mounting tabs  
**WEIGHT:** 0.45 oz (16g)  
**OPERATING TEMP:** -22°F to +158°F (-30°C to + 70°C)

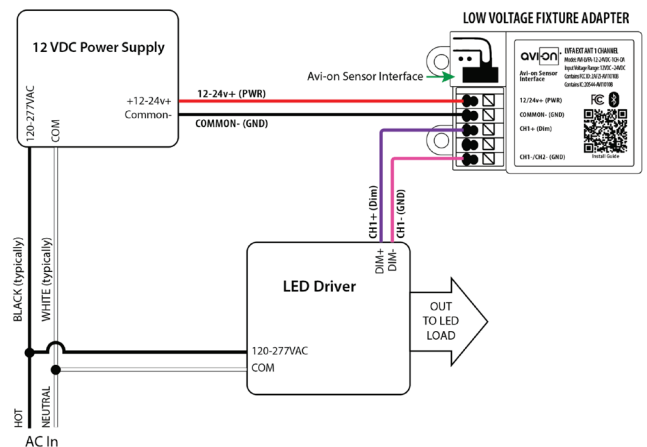
**RADIO FREQUENCY:** 2.4GHz  
**WIRELESS STANDARD:** BLE 4.2 with Mesh  
**POINT TO POINT RANGE\*:** 80ft with obstructions  
 350ft unobstructed  
**SECURITY:** AES 128-bit encryption for device to device communication  
 AES 256-bit encryption for device to cloud communication  
**WARRANTY:** 5 years; 10 years optional  
**REGULATORY:** FCC: 2AFZI-AVI1010 B  
 IC: 20544-AVI1010 B  
 BQB: D031801, DID: 86303  
 UL 916, 2043 (Plenum Rated)

\*When communicating through the mesh, range is essentially unlimited (5000ft+)

**WIRING DIAGRAM**



Fixture adapter powered by LED driver auxiliary output



Fixture adapter connected to LED driver and using power supply

**FEATURE**

- **Installation:** Factory or Field Install End Mount to Fixture
- **Commissioning:** Wirelessly through ALS Control Mobile App (iOS / Android)
- **Certification:** DLC 5.1 Networked Lighting Control System
- **Control:** Hold time, High-Low setting, continuous Bi-level dimming, Code-compliant manual-on or auto-off capability
- **Sensor:** Motion (Occupancy/Vacancy/Manual) and Daylight Harvesting
- **Room and Zone Control:** Zoning and Grouping control, Scheduling

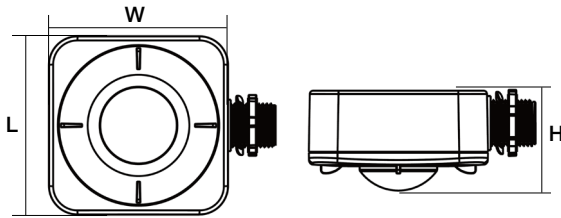


**SPECIFICATIONS**

**SENSOR TYPE:** Passive Infrared Sensor (PIR)  
**WIRELESS STANDARDS:** Bluetooth SIG Mesh  
**INPUT VOLTAGE:** 120/277VAC  
**CONTROL OUTPUT:** 0-10V  
**OPERATING TEMP:** -40°F ~ +167°F (-40°C ~ +75°C)

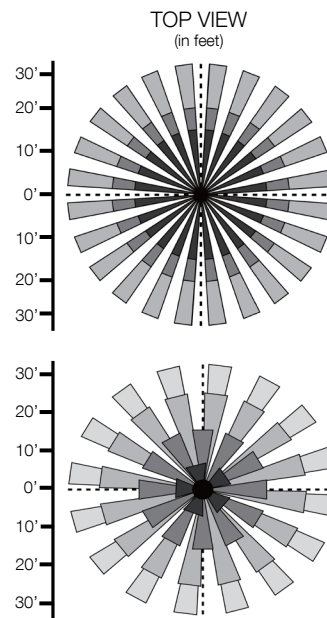
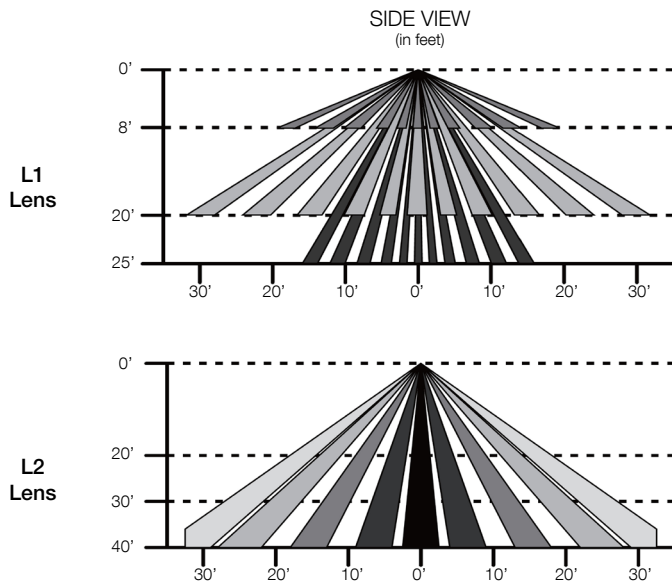
**COMMISSIONING RANGE:** 50FT  
**BLUETOOTH RANGE:** Integral antenna up to 100FT  
**DETECTION ANGLE:** Vertical 90° x Horizontal 360°  
**MOUNTING HEIGHT:** 8 - 40FT  
**WARRANTY:** 5 years  
**IP RATING:** IP20 Damp

**DIMENSIONS**



L	W	H
3.19" (81mm)	4.02" (102mm)	1.70" (43.3mm)

**COVERAGE PATTERNS**



**FEATURE**

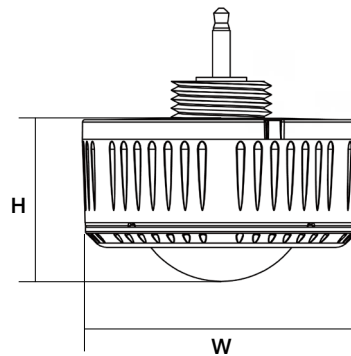
- **Installation:** Plug-N-Play via AUX socket on attached fixture
- **Commissioning:** Wirelessly through ALS Control Mobile App (iOS / Android)
- **Certification:** DLC 5.1 Networked Lighting Control System
- **Control:** Hold time, High-Low setting, continuous Bi-level dimming, Code-compliant manual-on or auto-off capability
- **Sensor:** Motion (Occupancy/Vacancy/Manual) and Daylight Harvesting
- **Room and Zone Control:** Zoning and Grouping control, Scheduling



**SPECIFICATIONS**

<b>SENSOR TYPE:</b>	Passive Infrared Sensor (PIR)
<b>WIRELESS STANDARDS:</b>	5.0 Bluetooth Mesh
<b>INPUT VOLTAGE:</b>	12-24VDC, >50mA
<b>CONTROL OUTPUT:</b>	0-10V
<b>OPERATING TEMP:</b>	-4°F ~ +140°F (-20°C ~ +60°C)
<b>COMMISSIONING RANGE:</b>	50FT
<b>BLUETOOTH RANGE:</b>	164FT
<b>DETECTION ANGLE:</b>	360°
<b>MOUNTING HEIGHT:</b>	Up to 40FT
<b>WARRANTY:</b>	5 years
<b>IP RATING:</b>	IP65
<b>FACTORY DEFAULT SETTINGS:</b>	100% Brightness for 5 min Dim Down to 30% Hold for 10 min Turn Off

**DIMENSIONS**



H	W
1.03" (26.2mm)	2.17" (55mm)

**COVERAGE PATTERNS**

