

CS SERIES BACKLIT PANEL

Client:
 Project:
 Type:
 Quantity:

CONSTRUCTION

Low profile extruded aluminum frame, all corners are rounded for safe handling. Multiple wiring entrances on driver enclosure for easy access. The backplate includes integral T-bar clips for installation into T-grid ceilings.

OPTICS

Backlit design provides exceptional lighting distribution. Frosted PMMA lens offers edge to edge illumination without pixilation or bright spots.

ELECTRICAL

Long-life, high-efficacy, micro-power LEDs, illumination for extended service life. Greater than 70% LED lumen maintenance at 100,000 hours (L70>100,000). Selectable lumen and CCT technology allows easy field-adjustable capability, luminaire ships with maximum output and 4000K CCT setting. All CCTs are within 5 MacAdam ellipses, 80CRI. Optional 90CRI. Driver operates at 120-277V input, 0-10V dimmable driver.

MOUNTING

Designed to accommodate lay-in ceilings, Slot T, and T-bar suspension system for 5/8" and 3/8" width. Built-in earthquake clips come standard. Optional: Surface/cable mount applications, use surface/cable kit accessories. Optional: Plaster or sheetrock installations, select flange kit.

STANDARD FINISH

90% minimum average reflective white polyester powder coat bonded to phosphate-free, multi-stage pretreated metal. All parts painted after fabrication to facilitate installation, increase efficiency, and inhibit corrosion.

CERTIFICATION

IC Rated, Suitable for Damp location.
 RoHS Compliant.
 All luminaires are built to UL1598 standards and bear appropriate cULus labels.
 For Emergency application, equipment with UL924 certified battery packs.
 DLC® Premium (DesignLights Consortium Qualified)

WARRANTY

5 year warranty, see Limited Warranty for additional information.



SHIPPING DATA

Product	Measurement	Weight
CSP-14 (2-pack)	49"L x 13"W x 3"H	11 lb
CSP-22 (2-pack)	26"L x 26"W x 3"H	10 lb
CSP-24 (2-pack)	49"L x 25"W x 3"H	18 lb



CS SERIES BACKLIT PANEL

ORDER INFORMATION **EXAMPLE: CSP 24-BACKLIT**

Fixture	Series	Model	Finish	Input
	CSP		blank	
Mounting			Accessories	
			Options	

A SERIES

CSP CS Series - High Efficiency Backlit Panel

B MODEL

CODE	SIZE	POWER	CCT	LM/W (AVG.)
14-BACKLIT	1x4	25W / 30W / 40W	3500K / 4000K / 5000K	125lm/W
22-BACKLIT	2x2	25W / 30W / 40W	3500K / 4000K / 5000K	125lm/W
24-BACKLIT	2x4	30W / 40W / 50W	3500K / 4000K / 5000K	125lm/W

C FINISH

blank White

D INPUT

blank 120-277V, 10% 0-10V Dimming
UD1% 120-277V, 1% 0-10V Dimming

E MOUNTING

blank Standard lay-in
MOUNT-LP-14-FGK 1.52" Tall 1x4 Flange Kit (Plaster, Sheetrock or Drywall)
MOUNT-LP-22-FGK 1.52" Tall 2x2 Flange Kit (Plaster, Sheetrock or Drywall)
MOUNT-LP-24-FGK 1.52" Tall 2x4 Flange Kit (Plaster, Sheetrock or Drywall)
MOUNT-LP-14-SMK 4" Tall 1x4 Surface Mount Kit for LPA-1
MOUNT-LP-22-SMK 4" Tall 2x2 Surface Mount Kit for LPA backlit
MOUNT-LP-24-SMK 4" Tall 2x4 Surface Mount Kit for LPA backlit
MOUNT-LP-PMK Aircraft Cable Pendant Mount

F ACCESSORIES/OPTIONS

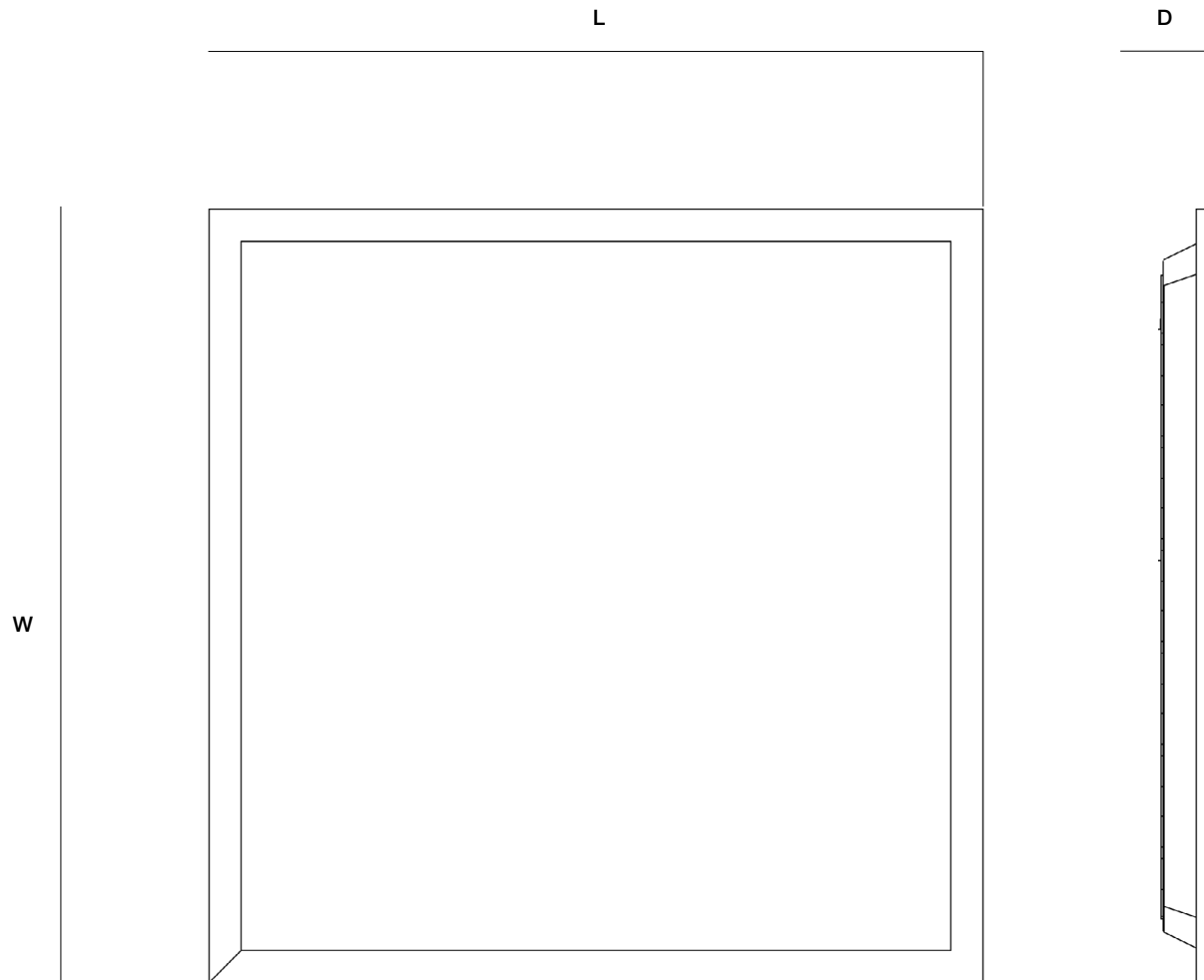
BAA Assembled in America, compliant with BAA (COTS)
-C 3/8" x 6FT Steel Flex 5-18AWG Solid 6' leads BLK/WH/GRN/PUR/PNK & 3/8" Die Cast Screw-In Locknut Connectors
90CRI 90CRI
EMB-H08170* 90-Minute Self-Diagnostic Emergency Battery 8W 100-347VAC Input 170VDC Output
EMB-H18170* 90-Minute Self-Diagnostic Emergency Battery 18W 100-347VAC Input 170VDC Output
GTD-ESRLUD** Emergency Battery Generator Transfer Device 120-277 VAC Input

**see page 5 for EMB spec
 ***see page 7-8 for GTD spec

CS SERIES BACKLIT PANEL

DIMENSIONS

Model	L	W	D
CSP-14	47.80" (1214mm)	11.90" (301mm)	1.40" (36mm)
CSP-22	23.70" (603mm)	23.70" (603mm)	1.40" (36mm)
CSP-24	47.80" (1219mm)	23.70" (603mm)	1.40" (36mm)



CS SERIES BACKLIT PANEL

PERFORMANCE DATA - CSP

SYSTEM WATTS	SIZE	VOLTAGE	LUMEN	LPW	QTY ON PALLET
25W @ 80CRI	CSP-14 CSP-22	120-277V	3,125	125	120 pcs 144 pcs 72 pcs
30W @ 80CRI	CSP-14 CSP-22 CPS-24	120-277V	3,750	125	120 pcs 144 pcs 72 pcs
40W @ 80CRI	CSP-14 CSP-22 CPS-24	120-277V	5,000	125	120 pcs 144 pcs 72 pcs
50W @ 80CRI	CSP-24	120-277V	6,250	125	72 pcs
25W @ 90CRI	CSP-14 CSP-22	120-277V	2,656	106	120 pcs 144 pcs 72 pcs
30W @ 90CRI	CSP-14 CSP-22 CPS-24	120-277V	3,187	106	120 pcs 144 pcs 72 pcs
40W @ 90CRI	CSP-14 CSP-22 CPS-24	120-277V	4,250	106	120 pcs 144 pcs 72 pcs
50W @ 90CRI	CSP-24	120-277V	5,313	106	72 pcs

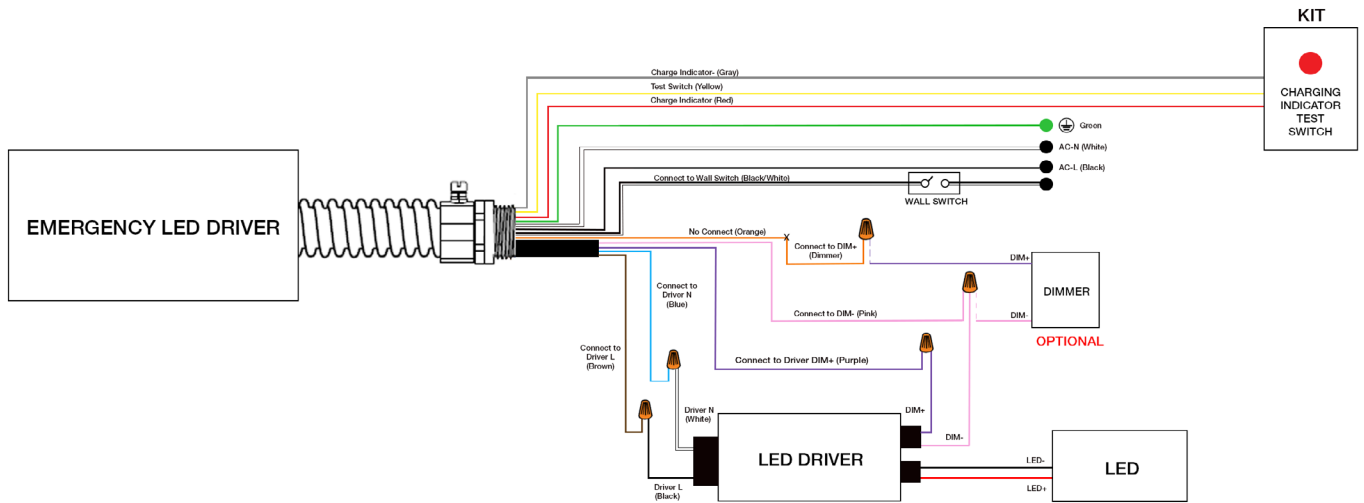
DLC CODE

Part Number	DLC Product ID	DLC Class
CSP-14MC-BACKLIT	Pending	Premium
CSP-22MC-BACKLIT	S-QW0FJD	Premium
CSP-24MC-BACKLIT	S-H6NK5B	Premium

CS SERIES BACKLIT PANEL

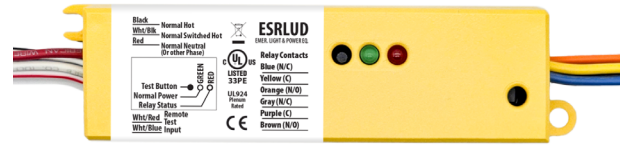
EMB SPEC

Model	Battery Capacity	Input	Output	Output Power	Operating Temp	Installation
EMB-H08170	90mins	100-347VAC	170VDC	8W	0°C ~ 50°C 32°F ~ 122°F	Factory or Field Install
EMB-H18170	90mins	100-347VAC	170VDC	18W	0°C ~ 50°C 32°F ~ 122°F	Factory or Field Install



CONSTRUCTION

Yellow metal casing. Integrates with dry contact systems to provide lighting during power outages. Features a slim enclosure, allowing for seamlessly integrating into existing building infrastructure. Designed for commercial and industrial applications that require an emergency load to be switched on during a loss of normal power.



SPECIFICATIONS

COIL CURRENT:	Normal Power = 6mA MAX
COIL VOLTAGE INPUT:	120-277V AC (50/60 Hz)
EXPECTED RELAY LIFE:	10 Million Cycles Min Mechanical
RELAY CONTACT RATINGS:	10 Amp Resistive @ 30 V DC 10 Amp General Use @ 277 V AC
OPERATING TEMP:	-30°F ~ +140°F (-34°C ~ +60°C)
OPERATE TIME:	18ms
HUMIDITY RANGE:	5-95% (Noncondensing)
LED:	Green = Normal Power Red = Relay Status
DIMENSIONS:	1.40"H x 5.63"W x 1.00"D
WIRES:	16", 600V Rated
OVERRIDE (TEST SWITCH):	No
APPROVALS:	UL924, C-UL, CE, ROHS
NOTES:	Device Draws no Current From Emergency Source

TESTING

INITIAL TEST FOR CORRECT WIRING:	Apply Normal Power To Normal Power Input a. Green LED (Normal Power) should be ON b. Red LED (Relay Status) should be ON c. Load should be OFF d. Relay Contact (N/O) should be CLOSED
LOCAL TEST BUTTON:	1. Turn Switched Circuit OFF. Load be OFF. 2. Press and Hold "Local Test Button" 3. Load should Turn ON 4. Release "Local Test Button" and Emergency Light should Turn OFF.
WALL SWITCH:	1. Turn ON Wall Switch If not already ON 2. Load should Turn ON 3. Turn Wall Switch OFF 4. Load will Turn OFF

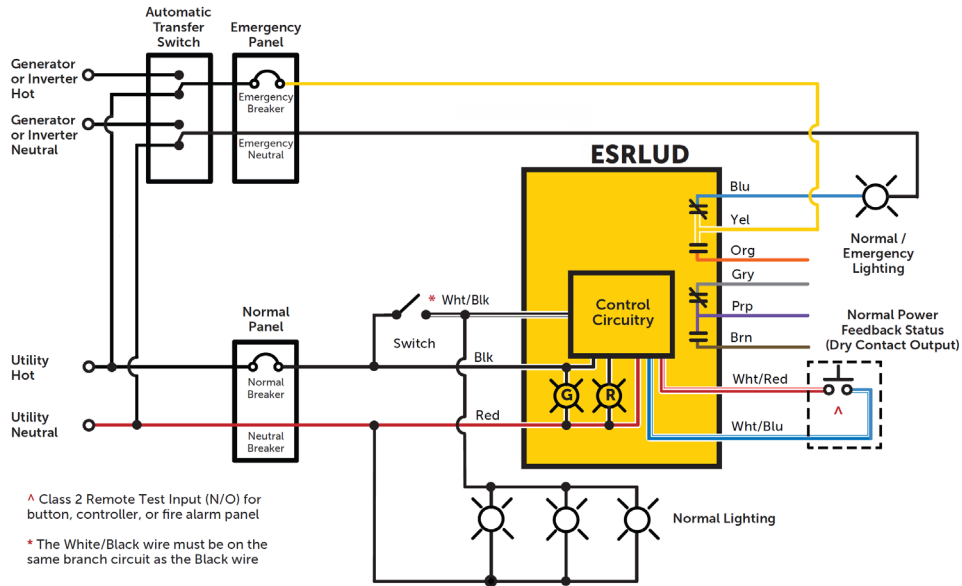
TROUBLESHOOTING

CONDITION	ACTION
Green LED is OFF	<ul style="list-style-type: none"> Check Normal Power Input Wiring (Black and Red Wires) and Voltage.
Red LED is OFF but Load is OFF	<ul style="list-style-type: none"> Check Bulbs and Ballast. Check Load Wiring (Blue Wire and Load's Neutral). Replace Unit. (Assuming N/C Contact is Used).
Load is ON but Red LED is ON	<ul style="list-style-type: none"> Replace Unit. (Assuming N/C Contact is Used).
Red LED does not Turn OFF and Load does not Turn ON when being tested	<ul style="list-style-type: none"> Check Bulbs and Ballast. Check Wiring Connections if Using a Remote Test Option. Press Local Test Button on the Unit. Replace Unit.
Red LED will not Turn ON and Load will not Turn OFF	<ul style="list-style-type: none"> Verify Status of Normal Power Input. Open Wall Switch Input. Verify That No Test Inputs are Stuck Closed.

GTD-ESRLUD Generator Transfer Device

WIRING DIAGRAM

USING EMERGENCY LIGHTING AS NORMAL LIGHTING



OVERRIDING A 0-10V DIMMER

