



SSPA SERIES SLOT SURFACE SELECTABLE PANEL

Client:
Project:
Type:
Quantity:

CONSTRUCTION

Low profile extruded aluminum frame, designed for surface mount installation.

OPTICS

Edgelit design provides exceptional lighting distribution. Frosted PMMA lens offers edge to edge illumination without pixilation or bright spots.

ELECTRICAL

Long-life, high-efficacy, micro-power LEDs, illumination for extended service life. Greater than 70% LED lumen maintenance at 100,000 hours (L70>100,000).

Selectable lumen and CCT technology allows easy field-adjustable capability, luminaire ships with maximum output and 4000K CCT setting.

All CCTs are within 3 MacAdam ellipses, 80CRI.

Integral Driver operates at 120-277V input, 0-10V dimmable driver, dim-to-off.



CONTROL (OPTIONAL)

CONTROL-XFAC AVI-ON Bluetooth Zone Controller Adapter



Output / CCT Selector

MOUNTING

Designed for surface mount application under electrical box.
Surface Mount Bracket included.

STANDARD FINISH

90% minimum average reflective white polyester powder coat bonded to phosphate-free, multi-stage pretreated metal. All parts painted after fabrication to facilitate installation, increase efficiency, and inhibit corrosion.

CERTIFICATION

Meets Buy America Act requirements.

IC Rated, suitable for Damp location.

All luminaires are built to UL1598 standards and bear appropriate cULus labels.

For Emergency application, equipment with UL924 certified battery packs.

WARRANTY

5 year warranty, see Limited Warranty for additional information.



SSPA SERIES SLOT SURFACE SELECTABLE PANEL

ORDER INFORMATION				EXAMPLE: SSPA 44SC-EDGELIT	
Fixture	Series	Model	Finish	Input	Mounting
	SSPA		blank	blank	blank
Accessories					
Options					

A SERIES

SSPA Slot Surface Selectable Panel

B MODEL

Code	Size	Power	CCT	lm/W (avg.)
42SC-EDGELIT	4" x 2FT	20W	3000K / 3500K / 4000K	80lm/W - 800lm/Ft
44SC-EDGELIT	4" x 4FT	20W / 30W / 40W	3000K / 3500K / 4000K	80lm/W - 800lm/Ft
62SC-EDGELIT	6" x 2FT	20W	3000K / 3500K / 4000K	85lm/W - 850lm/Ft
64SC-EDGELIT	6" x 4FT	20W / 30W / 40W	3000K / 3500K / 4000K	85lm/W - 850lm/Ft

C FINISH

blank White

D INPUT

blank 120-277V, 0-10V Dimming

E MOUNTING

blank Surface Mount Bracket Included

F ACCESSORIES/OPTIONS

- BAA** Assembled in America, compliant with BAA (COTS)
- CONTROL-XFAC*** AVI-ON Bluetooth Zone Controller Adapter
- EMB-H08170*** 90-Minute Self-Diagnostic Emergency Battery 8W 100-347VAC Input 170VDC Output
- EMB-H18170*** 90-Minute Self-Diagnostic Emergency Battery 18W 100-347VAC Input 170VDC Output

*see page 5 for sensor and emb spec

SSPA SERIES SLOT SURFACE SELECTABLE PANEL

DIMENSIONS

Model	L	W	D
SSPA-42SC	23.70" (602mm)	4.25" (108mm)	0.94" (24mm)
SSPA-44SC	47.76" (1213mm)	4.25" (108mm)	0.94" (24mm)
SSPA-62SC	23.70" (602mm)	5.75" (146mm)	0.94" (24mm)
SSPA-62SC	47.76" (1213mm)	5.75" (146mm)	0.94" (24mm)



Surface Mount Bracket (included)

SSPA SERIES SLOT SURFACE SELECTABLE PANEL

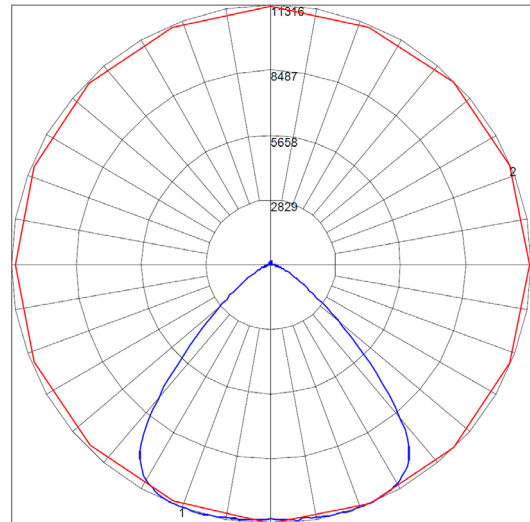
PERFORMANCE DATA

SSPA-44SC

IES: SSPA-44SC @ 40W 3500K

Zone	Lumen	Luminaire%
0-30	1070	30.70
0-40	1745	50
0-60	2914	83.50
0-90	3490	100
0-180	3490	100

Lumen: 3490
 Input Watts: 40 W
 Efficacy: 87.3 LPW



Maximum Candela = 1386.46 Located At Horizontal Angle = 90, Vertical Angle = 1
 # 1 - Vertical Plane Through Horizontal Angles (90 - 270) (Through Max. Cd.)
 # 2 - Horizontal Cone Through Vertical Angle (1) (Through Max. Cd.)

SYSTEM WATTS	SIZE	VOLTAGE	LUMEN	LPW (avg.)
20W	SSPA-42SC	120-277V	1600	80
20W	SSPA-44SC	120-277V	1600	80
30W	SSPA-44SC	120-277V	2400	80
40W	SSPA-44SC	120-277V	3200	80
20W	SSPA-62SC	120-277V	1700	85
20W	SSPA-64SC	120-277V	1700	85
30W	SSPA-64SC	120-277V	2550	85
40W	SSPA-64SC	120-277V	3400	85

SSPA SERIES SLOT SURFACE SELECTABLE PANEL

SENSOR SPEC

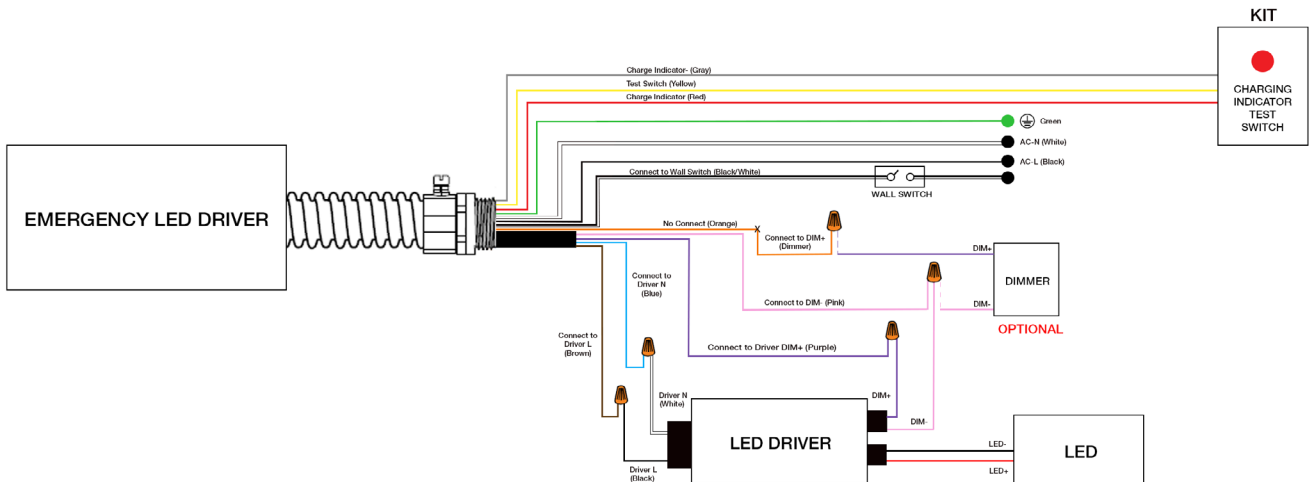
Model	Type	Mounting	Coverage	Input	Function	Programmable
CONTROL-XFAC (see page 6 for detail)	Fixture Controller	-	-	100-277VAC	Bluetooth On/Off/Dimming Scheduling	AVI-ON Bluetooth Mobile App



CONTROL-XFAC

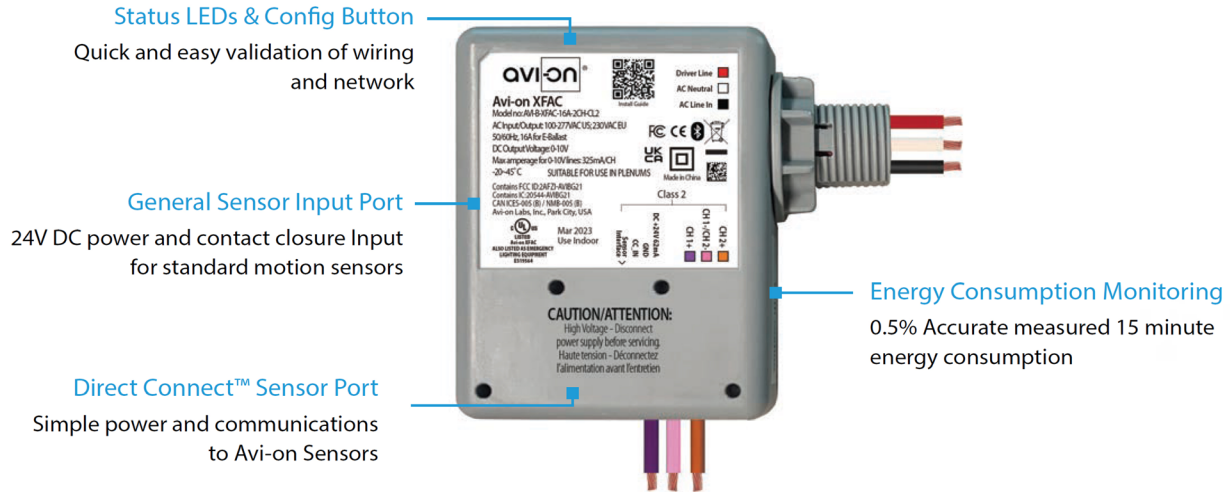
EMB SPEC

Model	Battery Capacity	Input	Output	Output Power	Operating Temp	Installation
EMB-H08170	90mins	100-347VAC	170VDC	8W	0°C ~ 50°C 32°F ~ 122°F	Factory or Field Install
EMB-H18170	90mins	100-347VAC	170VDC	18W	0°C ~ 50°C 32°F ~ 122°F	Factory or Field Install



SSPA SERIES SLOT SURFACE SELECTABLE PANEL

CONTROL-XFAC SPEC



SPECIFICATIONS

INPUT VOLTAGE:	100-277VAC	RADIO FREQUENCY:	50/60Hz
CURRENT:	MIN: 20 / 14mA MAX: 81 / 46mA	RELAY CURRENT:	16A
0-10V DIMMING:	100-277VAC	PROTECTION/IMMUNITY:	LEVEL 4 Contact Discharge: ± 8kV Air Discharge: ±12kV
SIZE:	3.58" x 3.58" x 1.57" (91mm x 91mm x 40mm)	AMPERAGE FOR 0-10V LINES:	325mA / CH
STORAGE TEMP:	-40°F to + 185°F (-40°C to + 85°C)	WARRANTY:	5 years
OPERATING TEMP:	-4°F to + 113°F (-20°C to + 45°C)	REGULATORY:	FCC: 2AFZI-AVIBG21 IC: 20544-AVBG21 BQB: D059595, DID: 185220 UL 924, 2043

WIRING DIAGRAM

