

LPNSF SERIES NSF FOOD GRADE PANEL

Client:
Project:
Type:
Quantity:

CONSTRUCTION

Luminaire made of extruded aluminum, corners are rounded for safe handling.
Housing made of cold-rolled carbon steel sheet metal (SPCC) designed for Lay-In Recessed application, mounting clips included.

OPTICS

Backlit design provides exceptional lighting distribution. Available with Polycarbonated (PC) and Tempered Glass (TG) Lens options.

ELECTRICAL

80CRI Long-life, high-efficacy, micro-power LEDs, illumination for extended service life. Greater than 70% LED lumen maintenance at 50,000 hours.
Selectable lumen and CCT technology allows easy field-adjustable capability.
Driver operates at 120-277V input, 0-10V dimmable driver.

MOUNTING

Designed for Lay-in Recessed application.
Suitable for Hard Ceiling, Drywall, T-bar suspension system. Built-in mounting clips on luminaire housing.

SENSORS (OPTIONAL)

SENSOR-BLE-7 Integral Microwave Bluetooth Wireless Motion/on/off/dimming/photosensing.
CONTROL-AVI-LVFA AVI-ON Bluetooth Mesh Controller.

STANDARD FINISH

Antimicrobial White paint, 90% minimum average reflective powder coat bonded to phosphate-free, multi-stage pretreated metal. All parts painted after fabrication to facilitate installation, increase efficiency, and inhibit corrosion.

CERTIFICATION

Option for "Assembled in America" upon request.
NSF Food Rated.
IP65 Rated.
All luminaires are built to UL1598 standards and bear appropriate cULus labels.
For Emergency application, equipment with UL924 certified battery packs.
DLC[®] Standard (DesignLights Consortium Listed)

WARRANTY

5 year warranty, see Limited Warranty for additional information.



Front



Back



LPNSF SERIES NSF FOOD GRADE PANEL

ORDER INFORMATION				EXAMPLE: LPNSF 2-MC PC WHUD	
Fixture	Series	Model	Lens	Finish	Input
	LPNSF			WH	UD
Accessories					
Options					

A	SERIES	
	LPNSF	LP Series NSF Food Grade Panel

B	MODEL	
	STANDARD OUTPUT	
	Code	Size
	Power	CCT
	lm/W (avg.)	
	1-MC	1x4
		25W / 30W / 40W
		3500K / 4000K / 5000K
		110lm/W
	2-MC	2x2
		25W / 30W / 40W
		3500K / 4000K / 5000K
		110lm/W
	4-MC	2x4
		30W / 40W / 50W
		3500K / 4000K / 5000K
		110lm/W
	HIGH OUTPUT	
	Code	Size
	Power	CCT
	lm/W (avg.)	
	1H-MC	1x4
		25W / 30W / 40W
		3500K / 4000K / 5000K
		125lm/W
	2H-MC	2x2
		25W / 30W / 40W
		3500K / 4000K / 5000K
		125lm/W
	4H-MC	2x4
		30W / 40W / 50W
		3500K / 4000K / 5000K
		125lm/W

C	LENS	
	PC	Polycarbonate Lens
	TG	Tempered Glass Lens

D	FINISH	
	WH	White

E	INPUT	
	UD	120-277V, 0-10V Dimming

F	ACCESSORIES/OPTIONS	
	BAA	Assembled in America, compliant with BAA (COTS)
	-C	3/8" x 6FT Steel Flex 5-18AWG Solid 6' leads BLK/WH/GRN/PUR/PNK & 3/8" Die Cast Screw-In Locknut Connectors
	EMB-H08170*	90-Minute Self-Diagnostic Emergency Battery 8W 100-347VAC Input 170VDC Output
	EMB-H18170*	90-Minute Self-Diagnostic Emergency Battery 18W 100-347VAC Input 170VDC Output
	SENSOR-BLE-7*	Integral Microwave Bluetooth Wireless Bi-Level Motion Sensor (ALS Control Mobile App)
	CONTROL-LVFA*	AVI-ON Bluetooth Mesh Control System (12V DC Power by Driver)
	GTD-ESRLUD***	Emergency Battery Generator Transfer Device 120-277 VAC Input

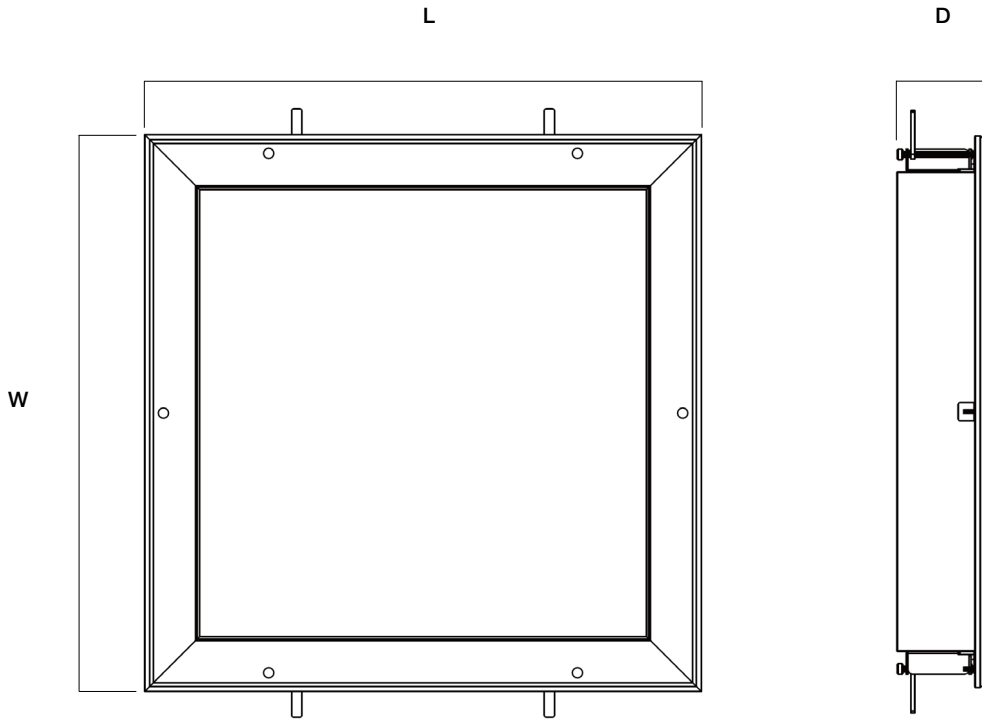
*see page 5 for sensor and emb spec

**see page 8 and 9 for GTD spec

LPNSF SERIES NSF FOOD GRADE PANEL

DIMENSIONS

Model	L	W	D	Cut Out
LPNSF-1 / 1H	47.70" (1212mm)	11.74" (298mm)	4.25" (108mm)	10.98" (279mm) x 46.97" (1193mm)
LPNSF-2 / 2H	23.70" (602mm)	23.70" (602mm)	4.25" (108mm)	22.95" (583mm) x 22.95" (583mm)
LPNSF-4 / 4H	47.70" (1212mm)	23.70" (602mm)	4.25" (108mm)	22.95" (583mm) x 46.97" (1193mm)



LPNSF SERIES NSF FOOD GRADE PANEL

PERFORMANCE DATA

SYSTEM WATTS	SIZE	VOLTAGE	3500K		4000K		5000K	
			LUMEN	LPW	LUMEN	LPW	LUMEN	LPW
25W	LPNSF-1 LPNSF-2	120-277V	2622	110	2693	113	2646	111
			2622	110	2693	113	2646	111
30W	LPNSF-1 LPNSF-2 LPNSF-4	120-277V	3146	110	3232	113	3175	111
			3146	110	3232	113	3175	111
40W	LPNSF-1 LPNSF-2 LPNSF-4	120-277V	4240	110	4317	113	4240	111
			4240	110	4317	113	4240	111
			4240	110	4317	113	4240	111
50W	LPNSF-4	120-277V	5243	110	5386	113	5291	111
25W	LPNSF-1 LPNSF-2	120-277V	2969	125	3016	127	2993	126
			2969	125	3016	127	2993	126
30W	LPNSF-1 LPNSF-2 LPNSF-4	120-277V	3572	125	3553	127	3615	126
			3572	125	3553	127	3615	126
40W	LPNSF-1 LPNSF-2 LPNSF-4	120-277V	4831	127	4691	125	4856	126
			4831	127	4691	125	4856	126
			4831	127	4691	125	4856	126
50W	LPNSF-4	120-277V	5965	125	5969	126	6060	127

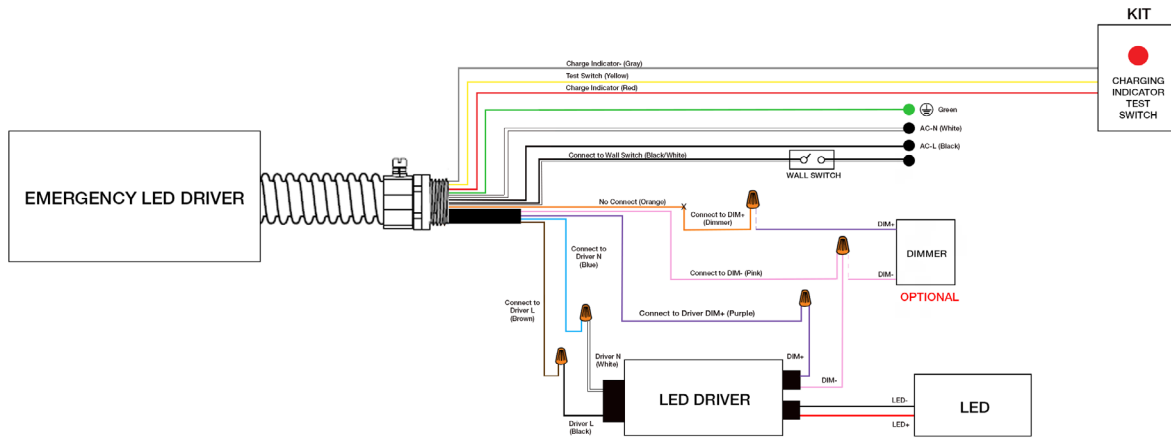
DLC CODE

Part Number	DLC Product ID	DLC Class
LPNSF-1 (1x4)	Pending	Standard
LPNSF-2 (2x2)	Pending	Standard
LPNSF-4 (2x4)	Pending	Standard
LPNSF-1H (1x4)	Pending	Premium
LPNSF-2H (2x2)	Pending	Premium
LPNSF-4H (2x4)	Pending	Premium

LPNSF SERIES NSF FOOD GRADE PANEL

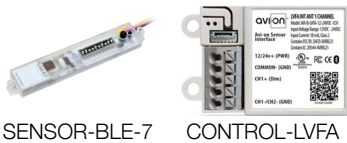
EMB SPEC

Model	Battery Capacity	Input	Output	Output Power	Operating Temp	Installation
EMB-H08170	90mins	100-347VAC	170VDC	8W	0°C ~ 50°C 32°F ~ 122°F	Factory or Field Install
EMB-H18170	90mins	100-347VAC	170VDC	18W	0°C ~ 50°C 32°F ~ 122°F	Factory or Field Install



SENSOR SPEC

Model	Type	Mounting	Coverage	Input	Function	Programmable
CONTROL-LVFA (see page 6 for detail)	-	-	-	12V DC	Bluetooth Mesh On/Off/Dimming Scheduling	AVI-ON Bluetooth Mobile App
SENSOR-BLE-7 (see page 7 for detail)	Microwave	up to 13FT	17FT radius	12V DC	Bluetooth Mesh On/Off/Dimming Motion Daylight Sensing	ALS Control Bluetooth Mobile App



LPNSF SERIES NSF FOOD GRADE PANEL

CONTROL-AVI-LVFA SPEC

Status LEDs & Config Button

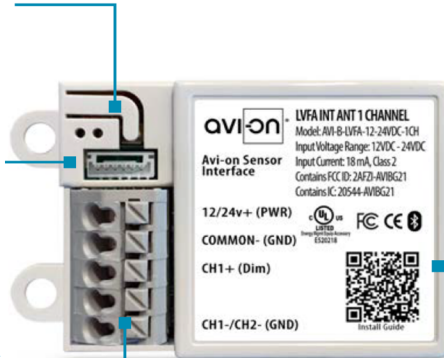
Quick and easy validation of wiring and network

Direct Connect™ Sensor Port

Simple and cost-effective addition to Avi-on sensors

Terminal Blocks & Mounting Tabs

Faster, easier and lower cost installation eliminating connectors



Internal Antenna

Improved performance and eliminates risk of accidentally cutting a hanging wire

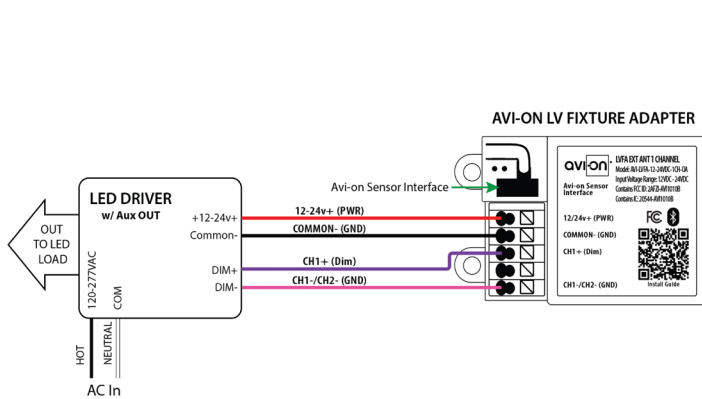
SPECIFICATIONS

INPUT VOLTAGE: 12-24VDC
CURRENT: 15mA without a Sensor
 19mA with a DC PIR Sensor
 48mA with a DC Microwave Sensor
0-10V DIMMING: 12-24VDC
SIZE: 2.30in x 1.43in x 0.75in
 (58.2mm x 36.4mm x 19mm)
MOUNTING: Removable mounting tabs
WEIGHT: 0.45 oz (16g)
OPERATING TEMP: -22°F to +158°F (-30°C to + 70°C)

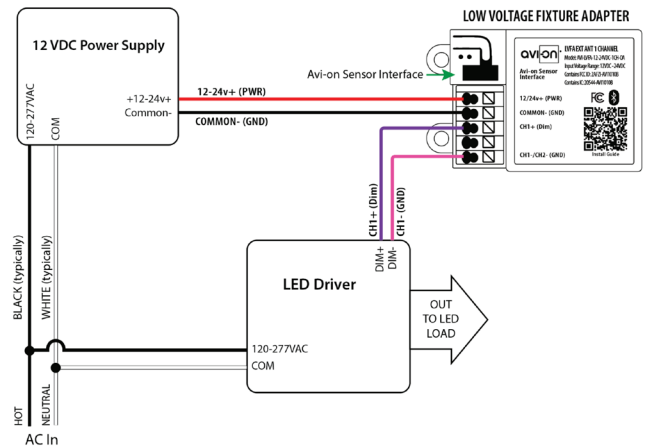
RADIO FREQUENCY: 2.4GHz
WIRELESS STANDARD: BLE 4.2 with Mesh
POINT TO POINT RANGE*: 80ft with obstructions
 350ft unobstructed
SECURITY: AES 128-bit encryption for device to device communication
 AES 256-bit encryption for device to cloud communication
WARRANTY: 5 years; 10 years optional
REGULATORY: FCC: 2AFZI-AV1010 B
 IC: 20544-AV1010 B
 BQB: D031801, DID: 86303
 UL 916, 2043 (Plenum Rated)

*When communicating through the mesh, range is essentially unlimited (5000ft+)

WIRING DIAGRAM



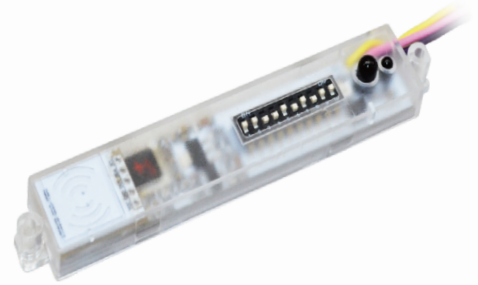
Fixture adapter powered by LED driver auxiliary output



Fixture adapter connected to LED driver and using power supply

FEATURE

- **Installation:** Factory Install - Integral to Fixture
- **Commissioning:** Wirelessly through ALS Control Mobile App (iOS / Android)
- **Certification:** DLC 5.1 Networked Lighting Control System
- **Control:** Hold time, High-Low setting, continuous Bi-level dimming, Code-compliant manual-on or auto-off capability
- **Sensor:** Motion (Occupancy/Vacancy/Manual)
- **Room and Zone Control:** Zoning and Grouping control, Scheduling

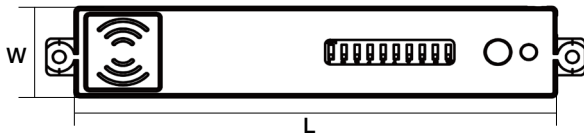


SPECIFICATIONS

SENSOR TYPE: Microwave
WIRELESS STANDARDS: Bluetooth SIG Mesh
INPUT VOLTAGE: 10-14VDC, >50mA
CONTROL OUTPUT: 0-10V
OPERATING TEMP: -40°F ~ +158°F (-40°C ~ +70°C)

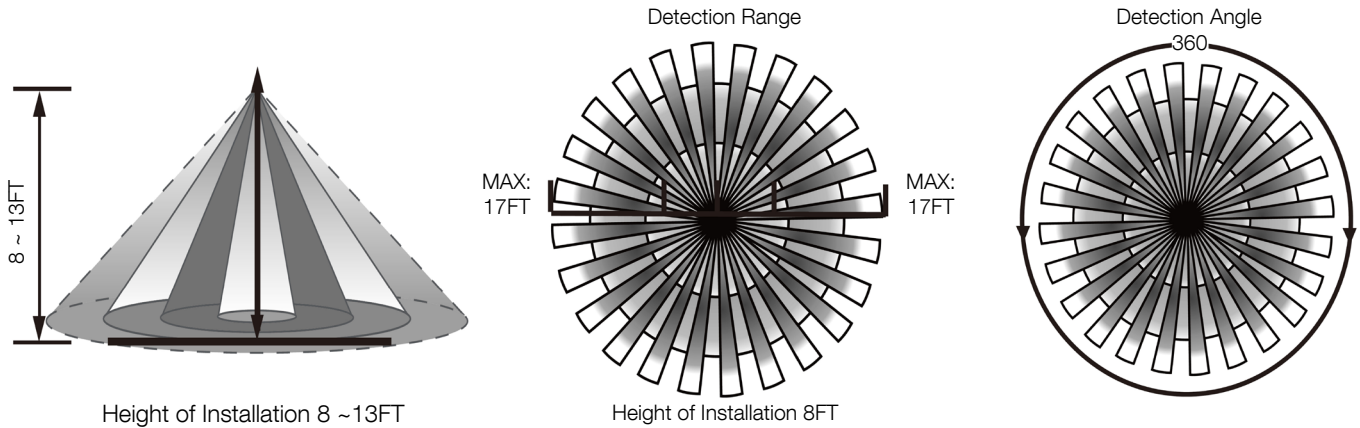
COMMISSIONING RANGE: 50FT
BLUETOOTH RANGE: Integral antenna up to 164FT
DETECTION ANGLE: 360°
MOUNTING HEIGHT: Up to 13FT
WARRANTY: 5 years
IP RATING: IP20

DIMENSIONS



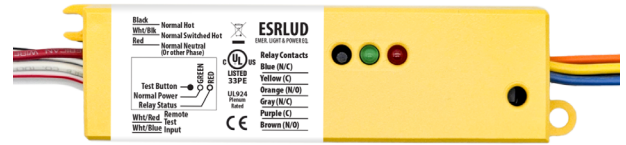
L	W
3.70" (94mm)	0.73" (18.5mm)

COVERAGE PATTERNS



CONSTRUCTION

Yellow metal casing. Integrates with dry contact systems to provide lighting during power outages. Features a slim enclosure, allowing for seamlessly integrating into existing building infrastructure. Designed for commercial and industrial applications that require an emergency load to be switched on during a loss of normal power.



SPECIFICATIONS

COIL CURRENT:	Normal Power = 6mA MAX
COIL VOLTAGE INPUT:	120-277V AC (50/60 Hz)
EXPECTED RELAY LIFE:	10 Million Cycles Min Mechanical
RELAY CONTACT RATINGS:	10 Amp Resistive @ 30 V DC 10 Amp General Use @ 277 V AC
OPERATING TEMP:	-30°F ~ +140°F (-34°C ~ +60°C)
OPERATE TIME:	18ms
HUMIDITY RANGE:	5-95% (Noncondensing)
LED:	Green = Normal Power Red = Relay Status
DIMENSIONS:	1.40"H x 5.63"W x 1.00"D
WIRES:	16", 600V Rated
OVERRIDE (TEST SWITCH):	No
APPROVALS:	UL924, C-UL, CE, ROHS
NOTES:	Device Draws no Current From Emergency Source

TESTING

INITIAL TEST FOR CORRECT WIRING:	Apply Normal Power To Normal Power Input a. Green LED (Normal Power) should be ON b. Red LED (Relay Status) should be ON c. Load should be OFF d. Relay Contact (N/O) should be CLOSED
LOCAL TEST BUTTON:	1. Turn Switched Circuit OFF. Load be OFF. 2. Press and Hold "Local Test Button" 3. Load should Turn ON 4. Release "Local Test Button" and Emergency Light should Turn OFF.
WALL SWITCH:	1. Turn ON Wall Switch If not already ON 2. Load should Turn ON 3. Turn Wall Switch OFF 4. Load will Turn OFF

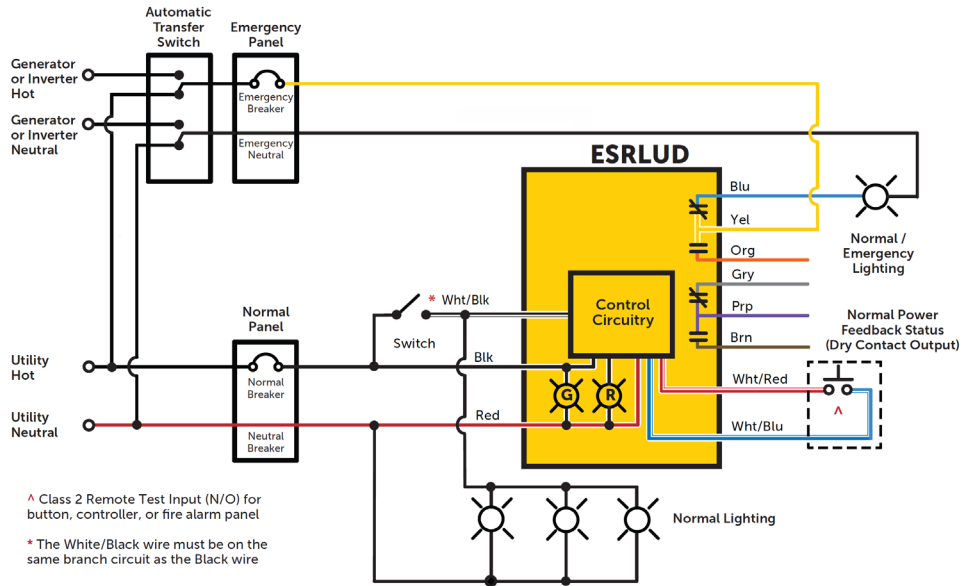
TROUBLESHOOTING

CONDITION	ACTION
Green LED is OFF	<ul style="list-style-type: none"> Check Normal Power Input Wiring (Black and Red Wires) and Voltage.
Red LED is OFF but Load is OFF	<ul style="list-style-type: none"> Check Bulbs and Ballast. Check Load Wiring (Blue Wire and Load's Neutral). Replace Unit. (Assuming N/C Contact is Used).
Load is ON but Red LED is ON	<ul style="list-style-type: none"> Replace Unit. (Assuming N/C Contact is Used).
Red LED does not Turn OFF and Load does not Turn ON when being tested	<ul style="list-style-type: none"> Check Bulbs and Ballast. Check Wiring Connections if Using a Remote Test Option. Press Local Test Button on the Unit. Replace Unit.
Red LED will not Turn ON and Load will not Turn OFF	<ul style="list-style-type: none"> Verify Status of Normal Power Input. Open Wall Switch Input. Verify That No Test Inputs are Stuck Closed.

GTD-ESRLUD Generator Transfer Device

WIRING DIAGRAM

USING EMERGENCY LIGHTING AS NORMAL LIGHTING



OVERRIDING A 0-10V DIMMER

