

SPQ-G2 SPORTS LIGHT

Client:
Project:
Type:
Quantity:

CONSTRUCTION

Die-casting housing, compact design. Driver enclosure suitable for remote mounting, IP66 rated completely sealed against moisture and environmental contaminants. Light weight, EPA friendly.

OPTICS

Available in NEMA 4H x 4V distribution pattern, optics are precisely designed to shape the distribution, maximizing efficiency and maintaining high light level for various sports field applications.

Stock: 70CRI 5000K light engine.

Optional: 3000K, 4000K made to order.

ELECTRICAL

-40°C minimum to +50°C (-40°F to 122°F) maximum operating temperature.

RoHS compliant electronic Class I drivers expected life of 150,000 hours.

>.9 power factor, <15% total harmonic distortion.

SPQ-G2-500W: Standard 120-277VAC Input 0-10V dimming.

SPQ-G2-600W / 850W / 1200W: Standard 200-480VAC Input 0-10V dimming.

Optional: SPQ-G2-500W - 200-480VAC Input 0-10V dimming.

Optional: SPQ-G2-600W - 120-277VAC Input 0-10V dimming.

SENSOR / CONTROLLER

Optional: LASER-SPM - Laser Aiming device.

Optional: CONTROL-LVFA - AVI-ON Bluetooth Mesh Controller.

Optional: Synapse Wireless ProFX Lighting Control System

MOUNTING

Robust designed yoke mount secured with 3/4" bolt, versatile mounting bracket designed for ease of installation and offers precise horizontal and vertical aiming capability.

Optional: Yoke to Slipfitter Adapter.

Optional: Square Beam Mount Bracket

STANDARD FINISH

UV stabilized polyester Black powder coat finish.

CERTIFICATION

IP66 Rated, Wet location label standard.

Meets Buy America Act requirements.

All luminaires are built to UL1598 standards and bear appropriate cULus labels.

WARRANTY

5 year warranty, see Limited Warranty for additional information.



500W / 600W



850W / 1200W



SPQ-G2 SPORTS LIGHT

ORDER INFORMATION **EXAMPLE : SPQ-G2 500 50 44 YM BK UD**

Fixture	Series	Power & LM	CCT	Distribution	Mounting	Finish	Input
	SPQ-G2				YM	BK	

Accessories
Options

A SERIES

SPQ-G2 Modular Sports Light - Gen 2

B POWER & LM

CODE	POWER	LUMEN	LPW (AVG.)	CODE	POWER	LUMEN	LPW (AVG.)
500	500W	76,926	154	850	850W	127,854	151
600	600W	94,258	157	1200	1200W	184,027	153

C CCT

50	5000K (Default stock)	30	3000K (Made to order)
		40	4000K (Made to order)

D DISTRIBUTION

44 NEMA 4H x 4V (Default stock)

E MOUNTING

YM Yoke Mount

F FINISH

BK Black Finish

G INPUT

HD	200-480V input, 1-10V Dimming (Standard)
UD	120-277V input, 1-10V Dimming (Optional)

H ACCESSORIES/OPTIONS

BAA	Assembled in America, compliant with BAA (COTS)
LASER-SPM	Laser aiming device
MOUNT-SPM-SF	Yoke mount to Slipfitter adapter
MOUNT-SPM-SBM	Square Beam Bracket
SPM-POLE-BOX*	Pole Mount Wiring Box for Remote Driver Option
SURGE-LSP4-H	480V 10kV Surge Protector
CONTROL-LVFA**	AVI-ON Bluetooth Mesh Control System
CORD-SPM-G2-EXT	164ft Remote Driver Extension Cord w/Water Tight Quick Connector***
SYNAPSE	Synapse Wireless ProFX Lighting Control System (Consult factory)

*see page 4 for detail spec

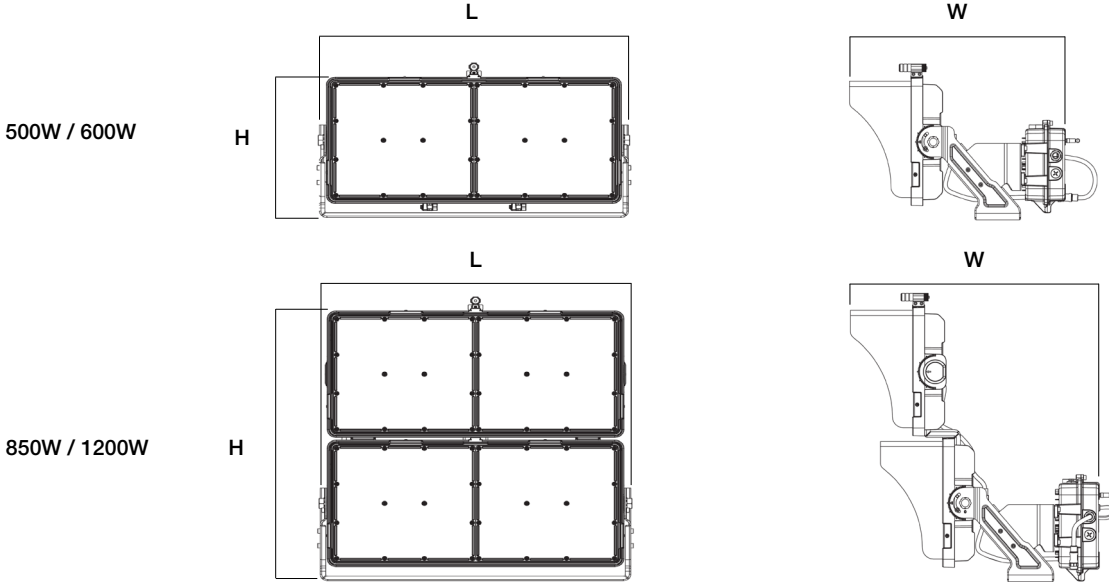
**see page 7 for sensor spec

***For Remote Driver application, PART# CORD-SPM-G2-EXT must be used to meet warranty requirement.

SPQ-G2 SPORTS LIGHT

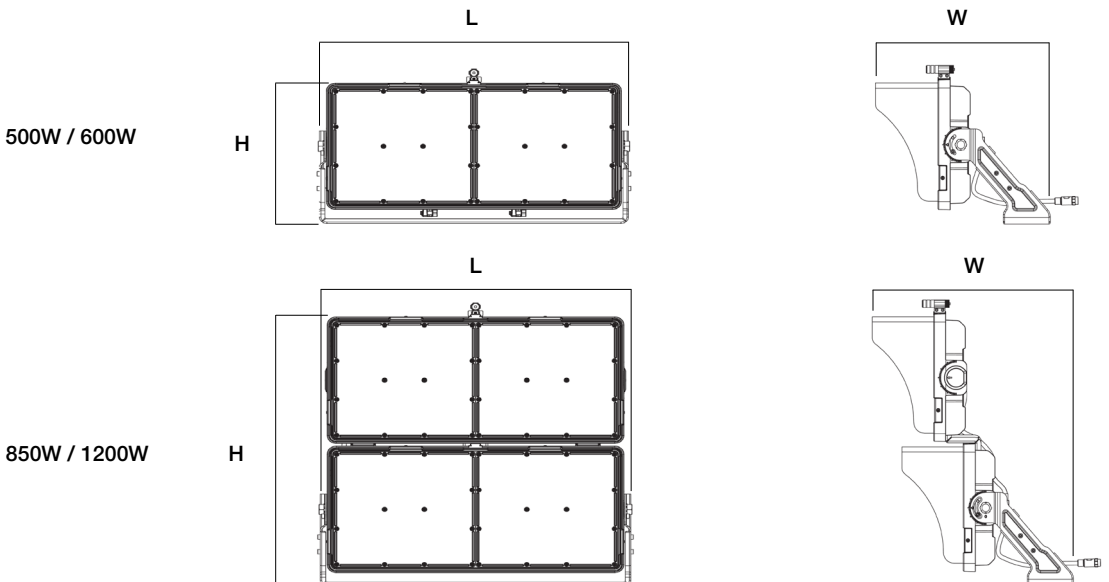
DIMENSIONS (WITH POWER BOX ATTACHED)

Model	L	W	H
500W / 600W	24.8" (631mm)	19.6" (499mm)	12.8" (326mm)
850W / 1200W	24.8" (631mm)	22.4" (568mm)	24.7" (627mm)



DIMENSIONS (WITH REMOTE POWER BOX)

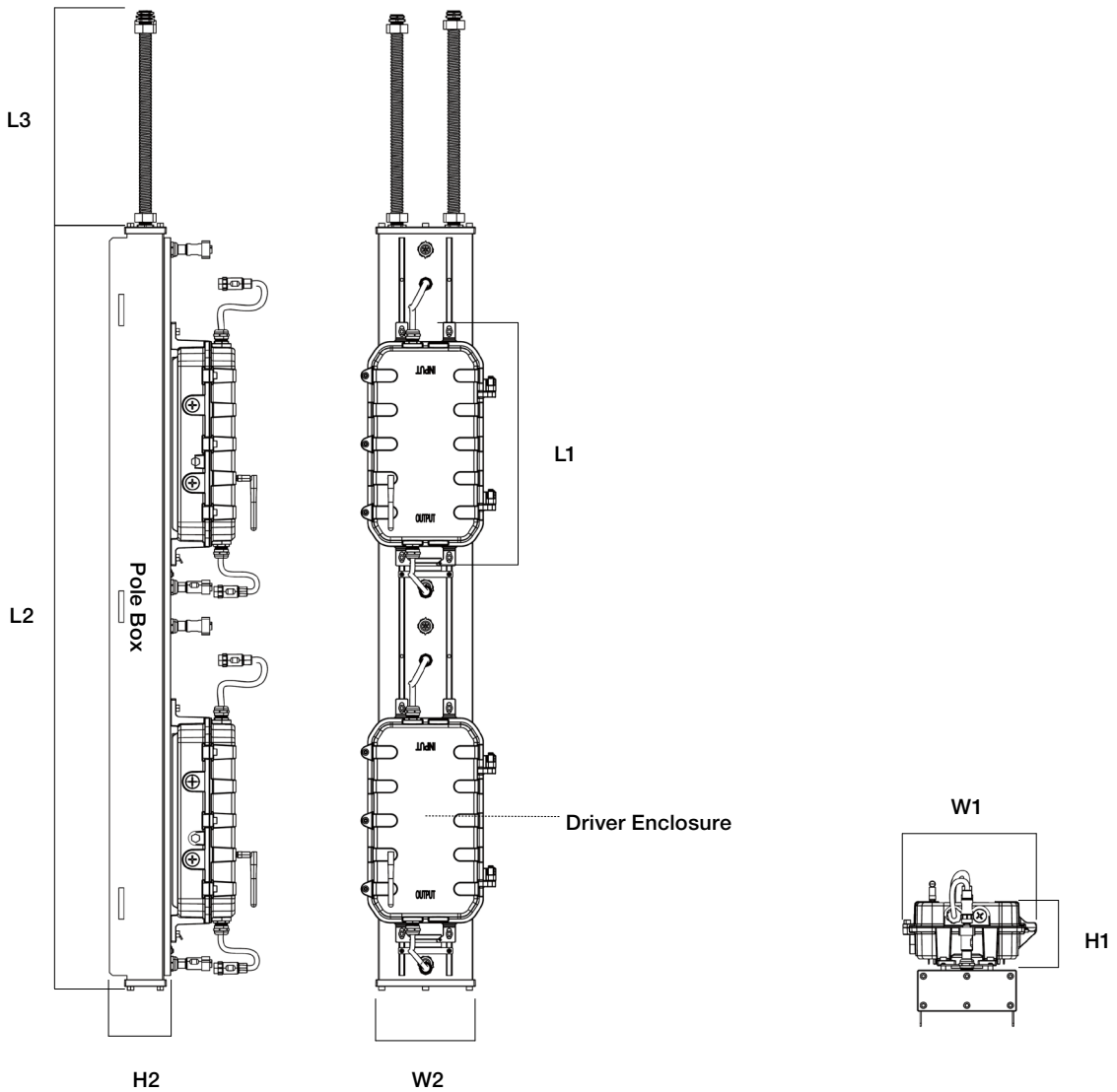
Model	L	W	H
500W / 600W	24.8" (631mm)	15.6" (396mm)	12.8" (326mm)
850W / 1200W	24.8" (631mm)	18.3" (464mm)	24.7" (627mm)



SPQ-G2 SPORTS LIGHT

DIMENSIONS (POLE MOUNT WIRING BOX AND REMOTE DRIVER)

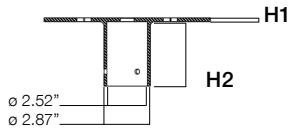
Model	L1	W1	H1	L2	W2	H2	L3
Driver Enclosure for 500W / 600W	15.3" (388mm)	8.4" (214mm)	4.1" (103mm)	-	-	-	
Driver Enclosure for 850W / 1200W	18.5" (470mm)	9.6" (244mm)	4.1" (103mm)	-	-	-	
Pole Box	-	-	-	47.7" (1211mm)	6.2" (158mm)	3.8" (97mm)	47.2" (1200mm)



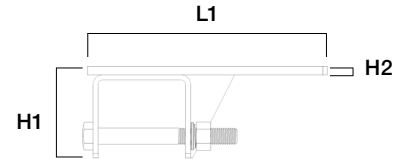
SPQ-G2 SPORTS LIGHT

DIMENSIONS (MOUNT)

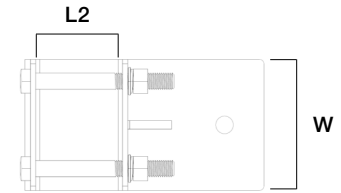
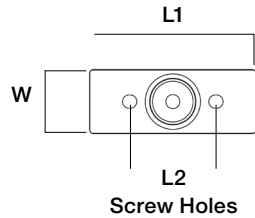
Model	L1	L2	W	H1	H2
MOUNT-SPM-SF	10.31" (262mm)	5.35" (136mm)	3.94" (100mm)	4.25" (108mm)	4.21" (107mm)
MOUNT-SPM-SBM	11.22" (285mm)	4.02" (102mm)	5.98" (152mm)	4.20" (107mm)	0.39" (10mm)



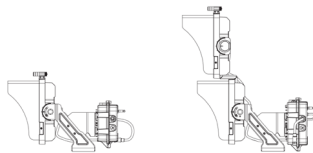
MOUNT-SPM-SF



MOUNT-SPM-SBM



EPA (ft²)



Mounting	Yoke	Yoke
500W / 600W	1.820	
850W / 1200W		3.382

SPQ-G2 SPORTS LIGHT

PERFORMANCE DATA

SYSTEM WATTS	VOLTAGE	DIST. TYPE	4000K		5000K	
			LUMEN	LPW	LUMEN	LPW
500W	100-277V, 480V	44	76213	152	76926	154
600W	100-277V, 480V	44	93543	156	94258	157
850W	100-277V, 480V	44	126453	149	127854	150
1200W	100-277V, 480V	44	183547	153	184027	153

DLC CODE

Part Number	DLC Product ID	DLC Class
SPQ-G2-5004044-YMBKUD	S-SHL9WL	Premium
SPQ-G2-5004044-YMBKHD	S-Q1W135	Premium
SPQ-G2-5005044-YMBKUD	S-0FVJ9N	Premium
SPQ-G2-5005044-YMBKHD	S-GK20CY	Premium
SPQ-G2-6004044-YMBKHD	S-ZQ6323	Premium
SPQ-G2-6005044-YMBKHD	S-920YXC	Premium
SPQ-G2-8504044-YMBKHD	S-JPYPJZ	Premium
SPQ-G2-8505044-YMBKHD	S-1TWX0N	Premium
SPQ-G2-12004044-YMBKHD	S-VC5DZ6	Premium
SPQ-G2-12005044-YMBKHD	S-6ZT1HV	Premium

SPQ-G2 SPORTS LIGHT

SENSOR SPEC

Model	Type	Mounting	Coverage	Input	Function	Programmable
CONTROL-LVFA (see page 8 for detail)	Fixture Controller	-	-	12V DC	Bluetooth Mesh On/Off/Dimming Scheduling	AVI-ON Bluetooth Mobile App



CONTROL-LVFA

SPQ-G2 SPORTS LIGHT

CONTROL-LVFA SPEC

Status LEDs & Config Button

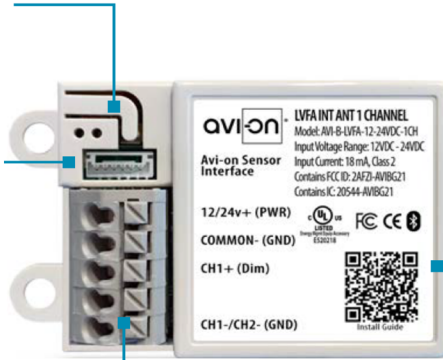
Quick and easy validation of wiring and network

Direct Connect™ Sensor Port

Simple and cost-effective addition to Avi-on sensors

Terminal Blocks & Mounting Tabs

Faster, easier and lower cost installation eliminating connectors



Internal Antenna

Improved performance and eliminates risk of accidentally cutting a hanging wire

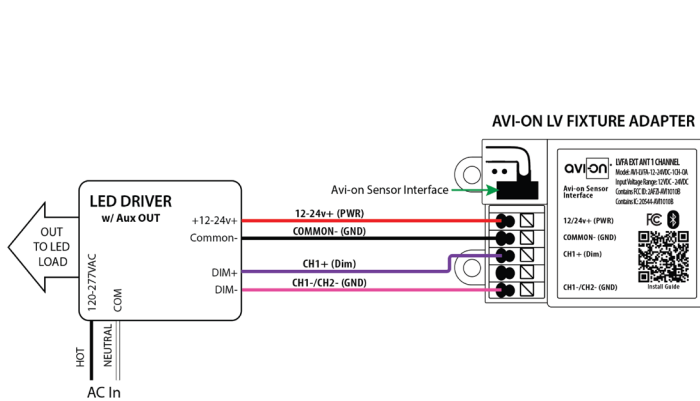
SPECIFICATIONS

INPUT VOLTAGE: 12-24VDC
CURRENT: 15mA without a Sensor
 19mA with a DC PIR Sensor
 48mA with a DC Microwave Sensor
0-10V DIMMING: 12-24VDC
SIZE: 2.30in x 1.43in x 0.75in
 (58.2mm x 36.4mm x 19mm)
MOUNTING: Removable mounting tabs
WEIGHT: 0.45 oz (16g)
OPERATING TEMP: -22°F to +158°F (-30°C to + 70°C)

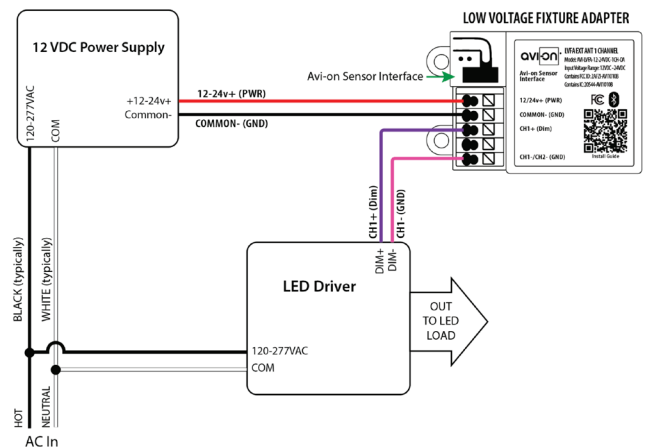
RADIO FREQUENCY: 2.4GHz
WIRELESS STANDARD: BLE 4.2 with Mesh
POINT TO POINT RANGE*: 80ft with obstructions
 350ft unobstructed
SECURITY: AES 128-bit encryption for device to device communication
 AES 256-bit encryption for device to cloud communication
WARRANTY: 5 years; 10 years optional
REGULATORY: FCC: 2AFZI-AVI1010 B
 IC: 20544-AVI1010 B
 BQB: D031801, DID: 86303
 UL 916, 2043 (Plenum Rated)

*When communicating through the mesh, range is essentially unlimited (5000ft+)

WIRING DIAGRAM



Fixture adapter powered by LED driver auxiliary output



Fixture adapter connected to LED driver and using power supply