

PLEASE READ AND FOLLOW ALL SAFETY INSTRUCTIONS**SAVE THIS SHEET****To Avoid Risk of Electric Shock and Injury**

- Never attempt any work on the luminaire unless it is disconnected from the power source.
- Any installation and service of the luminaire should be done by a certified electrician.
- Confirm the supply voltage matches the voltage labeled on the luminaire.
- Make sure all electrical and grounded connections are in accordance with the National Electric Code (NEC) and any local codes.
- Make sure all connections are capped with UL-listed wire connectors.
- Allow luminaire to cool down before handling. Never handle luminaire when it is in use.
- Do not exceed the maximum wattage labeled on luminaire.
- Always wear gloves and safety glasses when installing, handling, or performing routine maintenance on the luminaire.
- Do not look directly at the light source when luminaire is on.

To Avoid Risk of Fire and Product Damage

- Keep any combustible material away from the luminaire.
- Do not operate luminaire near any persons, materials, or substances that are sensitive to heat.
- When mounting, make sure wiring is secured from any edges or objects that can damage the wire insulation.
- Do not obstruct ventilation of the luminaire. Do not cover the luminaire with foam or other insulation material that will restrict convection or conduction cooling.
- Only use luminaire at its intended location.
- LED fixtures are sensitive to polarity. Make sure to identify proper polarity before installing.
- Electrostatic Discharge (or ESD) can damage LED luminaire. Make sure to always wear personal grounding equipment when installing or servicing the luminaire.
- Avoid touching individual electrical components, which can cause ESD and will reduce the life and performance of the luminaire.
- Do not power luminaire on and off frequently as this will greatly reduce luminaire's lifespan.
- Always read the luminaire's complete installation instruction sheet before installing luminaire.
- Always inspect the luminaire for damage. DO NOT INSTALL fixture if there is any damage. Contact your distributor or representative where you purchased the luminaire for warranty claim if luminaire is damaged.

To Maintain Luminaire and Ensure Consistent Performance

- **IMPORTANT: Always make sure luminaire is disconnected from power source when performing routine maintenance.**
- Occasionally clean luminaire lens. When cleaning lens, you may dust with soft, dry and clean cloth. You may also use solution of warm water and non-abrasive cleaning agent then wipe with dry cloth. DO NOT USE alkaline or acid cleaners.
- Keep heatsink clear of dust or debris from time to time.
- Maintaining the luminaire on a routine basis is highly recommended.

Failure to follow any of these instructions may void warranty.

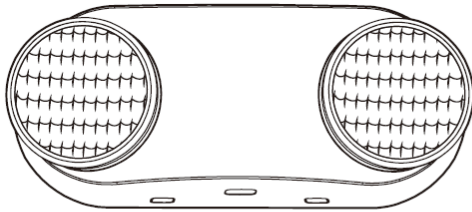
Please visit www.alslighting.us to view complete product Terms and Conditions.

Advantage Lighting Solutions assumes no responsibility for claims arising from improper or careless installation or handling of its products.

Important Safety Instructions

1. Make sure power is turned OFF before installing.
2. Inspect fixture for any damages. If damaged, DO NOT install fixture and contact local ALS distributor immediately.

Installation Instructions



IMPORTANT:

Let the battery charge up for at least 24 hours. Then normal operation of this unit should take effect. To check, press the "TEST" button. The LED lamps on the unit should turn ON. During an electrical power failure, the led lamps will automatically come on for a minimum of 90 minutes. In accordance with NFPA 101, your emergency lighting system must be tested monthly for a minimum of 30 seconds and annually for 90 minutes. Refer to your local codes for any additional requirements that may apply.

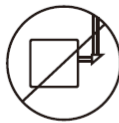
IMPORTANT SAFEGUARDS

When using electrical equipment, basic safety precautions should always be followed including the following:

READ AND FOLLOW ALL SAFETY INSTRUCTIONS

1. DO not use outdoors.
2. Equipment should be mounted in locations and at heights where it will not be subject to tampering by unauthorized personnel.
3. DO not mount near gas or electric heaters.
4. The use of accessory equipment not recommended by the manufacturer may cause an unsafe condition.
5. Do not use this equipment for anything other than its intended use.
6. Servicing of this equipment should be performed by qualified personnel.
7. Disconnect AC power before servicing.

SAVE THESE INSTRUCTIONS



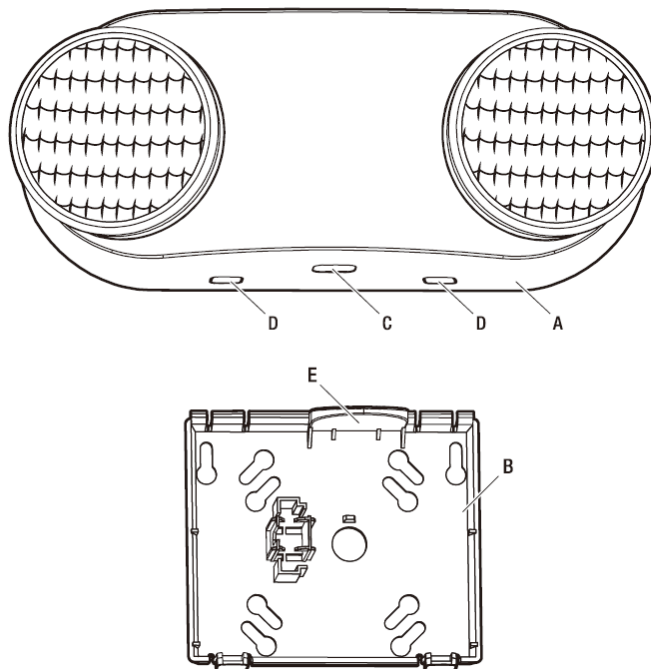
FLEXIBLE CONDUIT ONLY

Installation




! IMPORTANT:

- Before beginning installation, turn off electricity by removing the fuse or turning off the circuit breaker. Disconnect power before servicing the product. All service should be performed by a qualified electrician.
- Before beginning assembly, installation, or operation of the product, make sure all parts are present. Changes or modifications to this unit not expressly approved by the party responsible for compliance could void the user's authority to operate the equipment.

PACKAGE CONTENTS



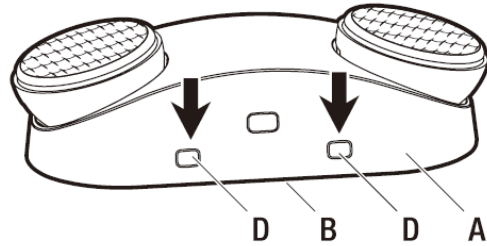
Part	Description	Quantity
A	Housing	1
B	Backplate	1
C	Test switch	1
D	Locking tab	2
E	Conduit flange	1

-  Wire nut
-  Wall anchor
-  Mounting screw

Pre-Installation (continued)

1 Removing the backplate from the housing

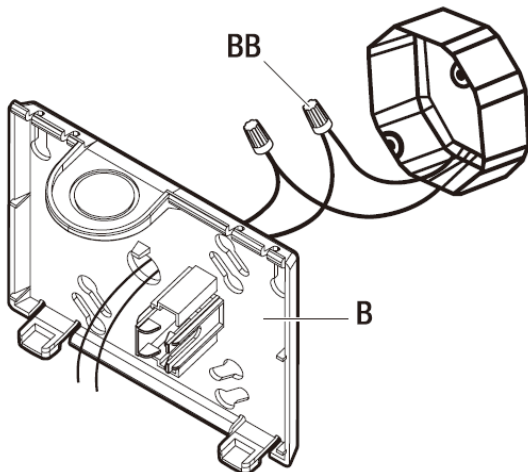
- While holding the backplate (B), press the locking tabs (D) and gently separate the backplate (B) from the housing (A).



Junction Box Installation

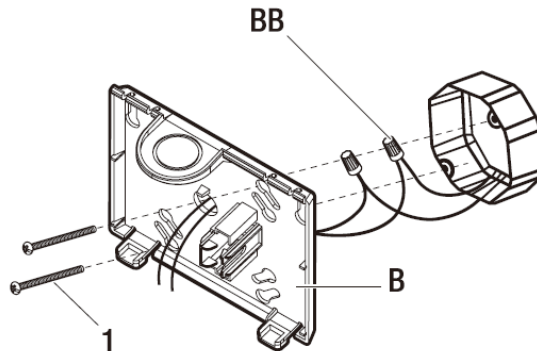
1 Wiring the fixture

- Feed the fixture wires through the backplate (B) and connect them to the power supply using the wire nuts (BB)
- For 120 V applications, use the black and white wires. Connect the black supply wire to the black fixture wire. Connect the white supply wire to the white fixture wire.
- For 277 V applications, use the red and white wires. Connect the red supply wire to the red fixture wire. Connect the white supply wire to the white fixture wire.
- Cap unused wires using a wire nut (BB).



2 Mounting the fixture

- Attach the backplate (B) to the junction box using the junction box screws (not included) (1)



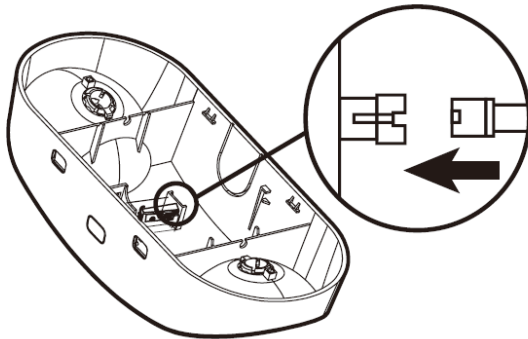
Junction Box Installation (continued)

3 Connecting the back-up battery

- Connect the PCB board connector to the battery connector.

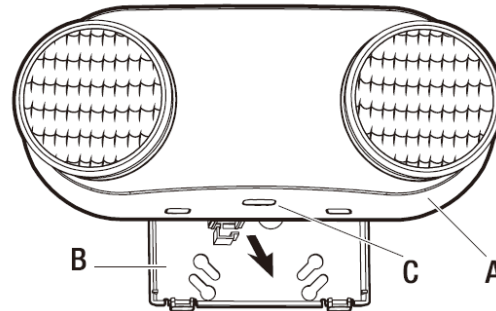


NOTE: The battery will take 24 hours to fully charge.



4 Assembling the fixture

- Align the locking tabs and push the housing (A) directly onto the backplate (B).
- Restore power to the fixture. The Test switch (C) should illuminate.



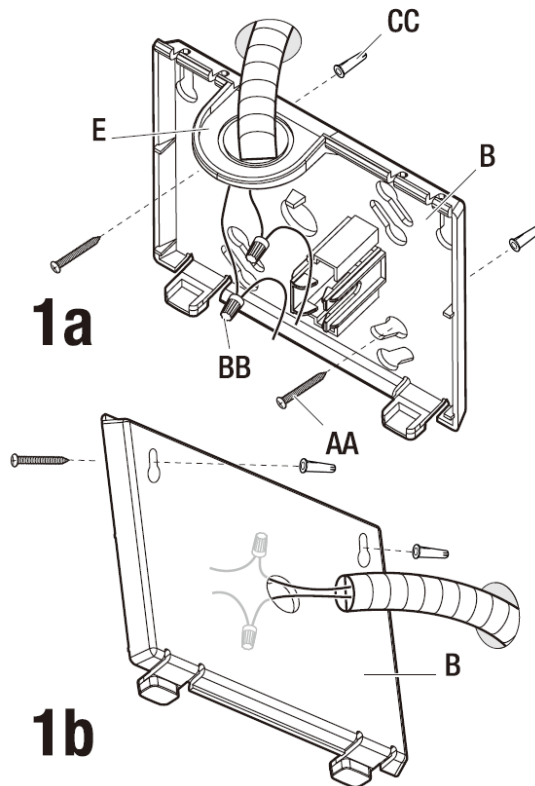
Conduit Installation

1 Mounting and wiring the fixture



WARNING: USE FLEXIBLE CONDUIT ONLY
This product must be installed in accordance with the applicable building codes, electric codes, and ordinances. Be sure to comply with your local and state regulations. It is recommended that this product be installed by a licensed electrician or by qualified service personnel.


- Route the wires through the hole in the conduit flange (1a) or through the rear of the backplate (B) (1b) and make the conduit connection in accordance with code requirements.
- For 120 V applications, use the black and white wires. Connect the black supply wire to the black fixture wire. Connect the white supply wire to the white fixture wire.
- For 277 V applications, use the red and white wires. Connect the red supply wire to the red fixture wire. Connect the white supply wire to the white fixture wire.
- Using the backplate (B) as a template, mark and drill two installation holes on the wall at the desired installation location.
- Insert wall anchors (CC) into the holes.
- Attach the backplate (B) to the wall by inserting screws (AA) through the backplate (B) and into the wall anchors (CC).

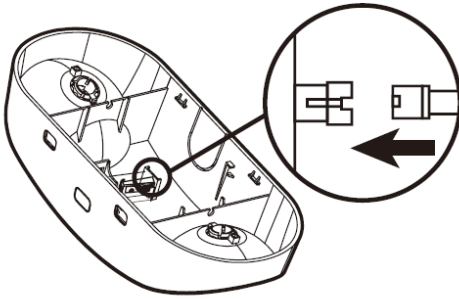


Conduit Installation (continued)

2 Connecting the back-up battery

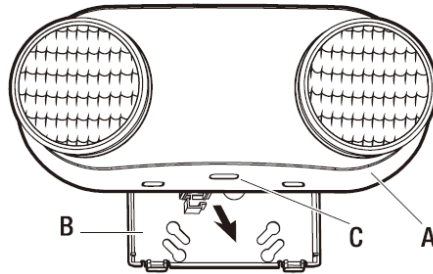
- Connect the PCB board connector to the battery connector.

 **NOTE:** The battery will take 24 hours to fully charge.




3 Assembling the fixture


- Align the locking tabs and push the housing (A) directly onto the backplate (B).
- Restore power to the fixture. The Test switch (C) should illuminate.



Maintenance

 **NOTE:** National Electric Code (NEC) and NFPA life safety code regulations require that routine tests need to be performed.

- Allow the battery to charge at least 24 hours before testing.
- To test the fixture, press the TEST button. The LED lamps should turn on.
- Test the fixture regularly.

 **CAUTION:** Always turn off AC power to the fixture before servicing. Service should be performed only by qualified personnel.

TESTING THE BATTERY

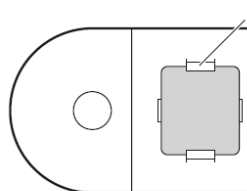
Test the unit's battery once per month. Additionally, every 12 months, a full 90-minute test should be performed. While disconnected from the main power supply, the unit should illuminate for a minimum of 90 minutes on battery back up power.

Battery Replacement

This fixture uses a Ni-Cd Rechargeable AA700 mAh 3.6 V battery.

To remove the battery:

- Bend the battery catches away from the battery and remove the battery from the housing.
- Disconnect the battery leads from the board terminal.
- Connect the new battery to the board terminal.
- Place the new battery in the battery location and ensure it is seated behind the battery catches (1).



Troubleshooting

Problem	Possible Cause	Solution
The LED charge indicator does not illuminate.	AC power supply is off.	Ensure the unit has AC power supply. Restore the power at the breaker/fuse box.
	The unit is incorrectly wired.	Ensure the unit is wired correctly.
	The battery isn't connected.	Ensure the battery is connected.
The LED emergency heads do not illuminate.	The battery is discharged.	Verify the unit is properly wired and connected to an AC power source. Allow the unit to charge for 24 hours and then re-test.
	The battery isn't connected.	Ensure the battery is connected.