



# LHCA-G2 SERIES SELECTABLE LINEAR BAY LIGHT

Client:  
Project:  
Type:  
Quantity:

## CONSTRUCTION

Compact die-cast aluminum housing, sturdy structure design, entire body serves as heat sink for the light engine. Includes top and side knockouts for simple and accessible wiring.

## OPTICS

>95% efficiency polycarbonate shatter proof frosted lens.

## ELECTRICAL

80+ CRI LED.

-40°C up to 55°C (-40°F up to 131°F) maximum operating temperature.

100,000 hr LEDs at L70 @ 25°C. 50/60Hz, <20% THD, >.95 Power Factor.

Driver operates at 120-277V input, 0-10V dimmable driver, down to 10%.

Plug-N-Play sensor socket standard (12V AUX).

Optional 277-480V input.

## SENSORS (OPTIONAL)

SENSOR-BLE-6-4T Integral PIR ALS Control bluetooth/on/off/dimming/photosensing.

SENSOR-ANT-6-4T Plug-N-Play PIR on/off/dimming/photosensing.

CONTROL-LVFA AVI-ON Bluetooth Mesh Controller.

SENSOR-DC-PIR AVI-ON PIR and Daylighting Sensor

## MOUNTING

Adjustable aircraft cable hanger as standard mounting included.

Optional: Pendant Mount Hub

Optional: Surface Mount Bracket (Pair)

## STANDARD FINISH

All metal parts are post painted after fabrication with polyester powder coat paint with 90% reflectance.

## CERTIFICATION

Meets Buy America Act requirements.

All luminaires are built to UL1598 standards for damp location and bear appropriate cULus labels.

For Emergency application, equipment with UL924 certified battery packs.

DLC® Premium (DesignLights Consortium Qualified)

## WARRANTY

5 year warranty, see Limited Warranty for additional information.



Pendant Mount

Surface Mount



**LHCA-G2 SERIES SELECTABLE LINEAR BAY LIGHT**

**ORDER INFORMATION** **EXAMPLE: LHCA-G2 130 MC CK WH UD**

Fixture	Series	Power & LM	CCT	Distribution	Mounting	Finish	Input
	<b>LHCA-G2</b>				<b>CK</b>	<b>WH</b>	

**A SERIES**

**LHCA-G2** Compact Linear Bay Light Dual Selectable

**B POWER & LM**

Code	Power Selectable	LM	LPW
<b>130</b>	52 / 78 / 104 / 130W	8,200 / 12,100 / 15,200 / 18,500	142 ~ 158
<b>160</b>	64 / 96 / 128 / 160W	10,600 / 15,500 / 20,000 / 24,100	151 ~ 166
<b>205</b>	82 / 123 / 164 / 205W	14,000 / 19,500 / 25,000 / 30,500	149 ~ 171
<b>250</b>	100 / 150 / 200 / 250W	16,400 / 24,000 / 30,200 / 36,100	144 ~ 164
<b>300</b>	120 / 180 / 240 / 300W	20,000 / 28,000 / 36,000 / 42,000	140 ~ 167
<b>410</b>	164 / 246 / 328 / 410W	28,000 / 38,400 / 50,000 / 60,600	148 ~ 171

**C CCT**

**MC** 4000K / 5000K Field Selectable

**D DISTRIBUTION**

**blank** Polycarbonate Shatter-Proof Frosted Diffuser Lens

**E MOUNTING**

**CK** Adjustable aircraft cable hanging kit (standard)  
**PMK** Pendant Mount Hub for 3/4" Pipe Mount  
**SMK** Surface Mount Bracket (Pair)

**F FINISH**

**WH** White

**G INPUT**

**UD** 120-277V, 0-10V Dimmable  
**HD** 277-480V, 0-10V Dimmable

**LHCA-G2 SERIES SELECTABLE LINEAR BAY LIGHT**

**ORDER INFORMATION (CONTINUED)**

Accessories  
 Options

**H ACCESSORIES/OPTIONS**

<b>BAA</b>	Assembled in America, compliant with BAA (COTS)
<b>WIREGUARD-LHCA-G2-130</b>	Wireguard for LHCA-G2-130W
<b>WIREGUARD-LHCA-G2-205</b>	Wireguard for LHCA-G2-160W / 205W
<b>WIREGUARD-LHCA-G2-300</b>	Wireguard for LHCA-G2-250W / 300W
<b>WIREGUARD-LHCA-G2-410</b>	Wireguard for LHCA-G2-410W
<b>EMB-8W-MST</b>	8W External Emergency Battery (LHCA-G2-130 only)
<b>EMB-16W-MST</b>	16W External Emergency Battery (LHCA-G2-130/-160/-205 only)
<b>EMB-25W-MST</b>	25W External Emergency Battery
<b>SENSOR-ANT-6-4T*</b>	Plug-N-Play PIR on/off/dimming/photosensing up to 40FT MH
<b>SENSOR-ANT-6-4T-EM*</b>	Plug-N-Play PIR on/off/dimming/photosensing for EMB application up to 40FT MH
<b>SENSOR-ANT-6-4T-H*</b>	Plug-N-Play PIR on/off/dimming/photosensing up to 50FT MH
<b>SENSOR-ANT-6-4T-H-EM*</b>	Plug-N-Play PIR on/off/dimming/photosensing for EMB application up to 50FT MH
<b>SENSOR-BLE-6-4T*</b>	Plug-N-Play Bluetooth on/off/dimming/Daylight Harvesting Sensor (ALS Control Mobile App)
<b>SENSOR-BLE-6-4T-EM*</b>	Plug-N-Play Bluetooth on/off/dimming/Daylight Harvesting Sensor (ALS Control Mobile App) for EMB application
<b>SENSOR-BLE-6-4T-H*</b>	Plug-N-Play Bluetooth on/off/dimming/Daylight Harvesting Sensor (ALS Control Mobile App) up to 50FT MH
<b>SENSOR-BLE-6-4T-H-EM*</b>	Plug-N-Play Bluetooth on/off/dimming/Daylight Harvesting Sensor (ALS Control Mobile App) for EMB application up to 50FT MH
<b>CONTROL-LVFA*</b>	AVI-ON Bluetooth Mesh Control System
<b>REMOTE-RC100</b>	Handheld Remote Commissioning Tool for SENSOR-ANT Series
<b>-CORD</b>	18-3 300V 6 Foot Cord
<b>-PLUG</b>	18-3 300V 6 Foot Cord and 3 Prong Plug
<b>TWIST-LOCK</b>	Specify Plug Type: <b>L515P / L715P / HBL5929 / L8-20P</b>

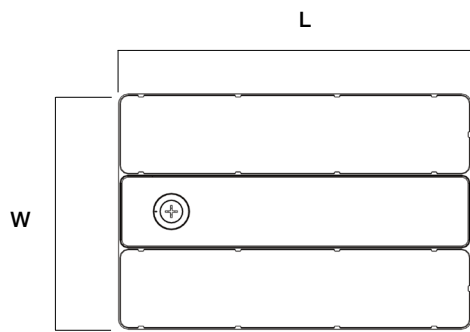
\*see page 6 for sensor spec

\*\*see page 7 for emb spec

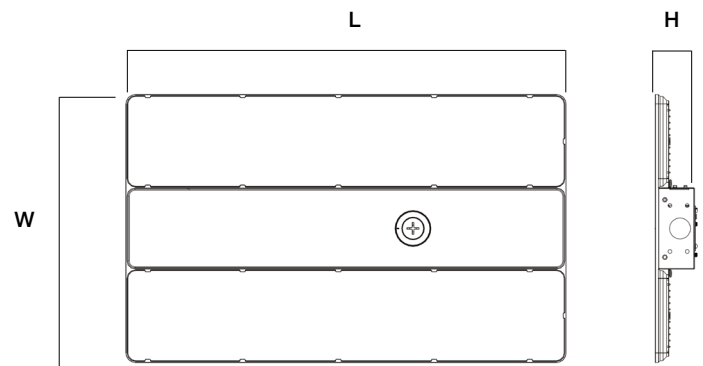
**LHCA-G2 SERIES SELECTABLE LINEAR BAY LIGHT**

**DIMENSIONS**

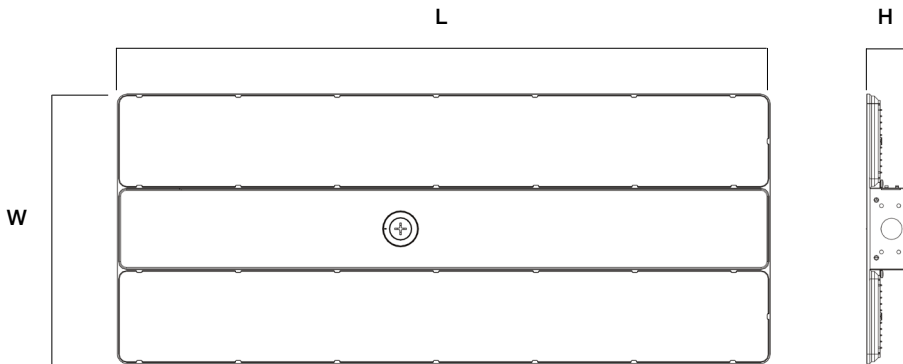
Model	L	W	H
LHCA-G2-130	14.17" (360mm)	9.45" (240mm)	1.65" (42mm)
LHCA-G2-160 / 205	18.11" (460mm)	11.02" (280mm)	1.65" (42mm)
LHCA-G2-250 / 300	26.77" (680mm)	11.02" (280mm)	1.65" (42mm)
LHCA-G2-410	36.22" (920mm)	11.02" (280mm)	1.65" (42mm)



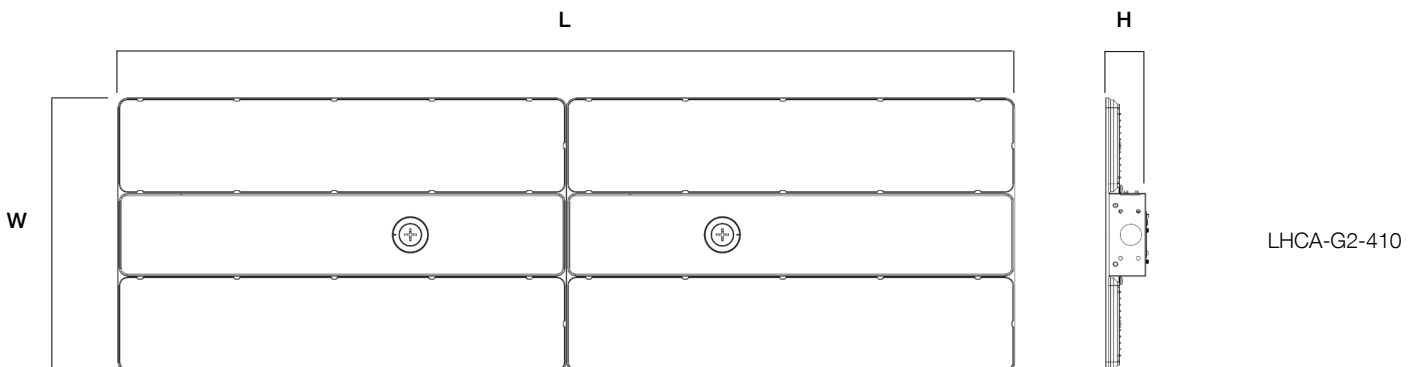
LHCA-G2-130



LHCA-G2-160  
 LHCA-G2-205



LHCA-G2-250  
 LHCA-G2-300



LHCA-G2-410

**LHCA-G2 SERIES SELECTABLE LINEAR BAY LIGHT**

**PERFORMANCE DATA**

SYSTEM WATTS	VOLTAGE	4000K / 5000K	
		LUMENS	LPW
LHCA-G2-130W @ 52W	120-277V	8200	158
LHCA-G2-130W @ 78W	120-277V	12100	155
LHCA-G2-130W @ 104W	120-277V	15200	146
LHCA-G2-130W @ 130W	120-277V	18500	142
LHCA-G2-160W @ 64W	120-277V	10600	166
LHCA-G2-160W @ 96W	120-277V	15500	161
LHCA-G2-160W @ 128W	120-277V	20000	156
LHCA-G2-160W @ 160W	120-277V	24100	151
LHCA-G2-205W @ 82W	120-277V	14000	171
LHCA-G2-205W @ 123W	120-277V	19500	159
LHCA-G2-205W @ 164W	120-277V	25000	152
LHCA-G2-205W @ 205W	120-277V	30500	149
LHCA-G2-300W @ 120W	120-277V	20000	167
LHCA-G2-300W @ 180W	120-277V	28000	156
LHCA-G2-300W @ 240W	120-277V	36000	150
LHCA-G2-300W @ 300W	120-277V	42000	140
LHCA-G2-410W @ 164W	120-277V	28000	171
LHCA-G2-410W @ 246W	120-277V	38400	156
LHCA-G2-410W @ 328W	120-277V	50000	152
LHCA-G2-410W @ 410W	120-277V	60600	148

**LHCA-G2 SERIES SELECTABLE LINEAR BAY LIGHT**

**SENSOR SPEC**

Model	Type	Mounting	Coverage	Input	Function	Programmable
SENSOR-ANT-6-4T (see page 8 for detail)	PIR	up to 40FT	30FT radius	12V DC	On/Off/Dimming	REMOTE-RC100
SENSOR-ANT-6-4T-H (see page 8 for detail)	PIR	up to 50FT	30FT radius	12V DC	On/Off/Dimming	REMOTE-RC100
SENSOR-BLE-6-4T (see page 10 for detail)	PIR	up to 40FT	30FT radius	12V DC	Bluetooth Mesh On/Off/Dimming Daylight Harvesting	ALS Control Bluetooth Mobile App
SENSOR-BLE-6-4T-H (see page 10 for detail)	PIR	up to 50FT	30FT radius	12V DC	Bluetooth Mesh On/Off/Dimming Daylight Harvesting	ALS Control Bluetooth Mobile App
CONTROL-LVFA (see page 11 for detail)	Fixture Controller	-	-	12V DC	Bluetooth Mesh On/Off/Dimming Scheduling	AVI-ON Bluetooth Mobile App



SENSOR-ANT-6-4T  
 SENSOR-BLE-6-4T

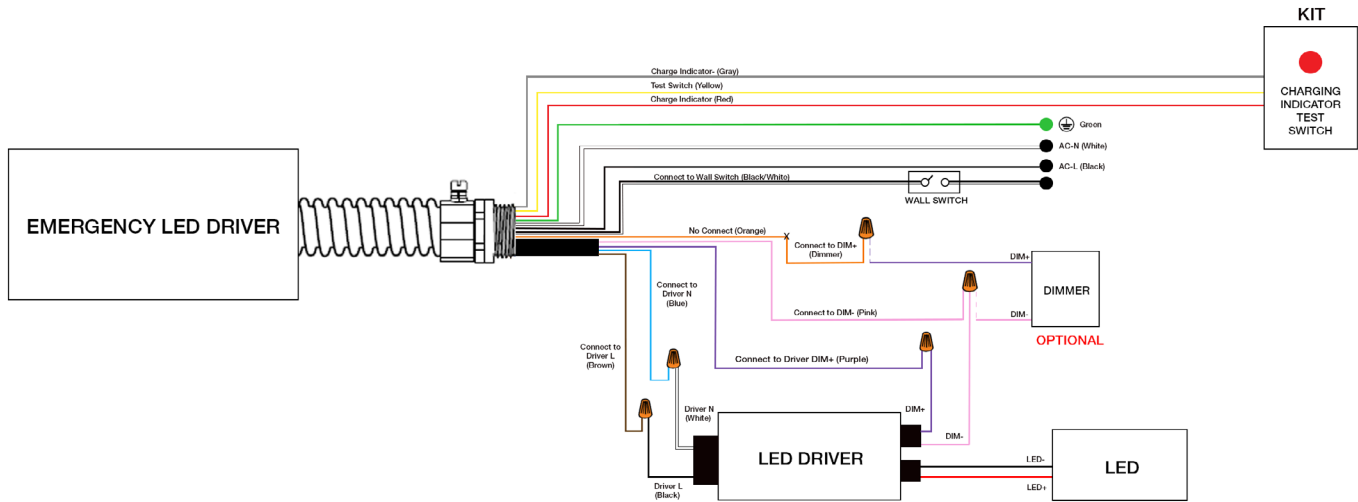


CONTROL-LVFA

**LHCA-G2 SERIES SELECTABLE LINEAR BAY LIGHT**

**EMB SPEC**

Model	Battery Capacity	Input	Output	Output Power	Operating Temp	Installation
EMB-H18170	90mins	100-347VAC	170VDC	18W	0°C ~ 50°C 32°F ~ 122°F	Factory or Field Install
EMB-H40170	90mins	100-347VAC	170VDC	40W	0°C ~ 50°C 32°F ~ 122°F	Factory or Field Install
EMB-H40500	90mins	277-480VAC	300-500VDC	40W	0°C ~ 50°C 32°F ~ 122°F	Factory or Field Install



**FEATURE**

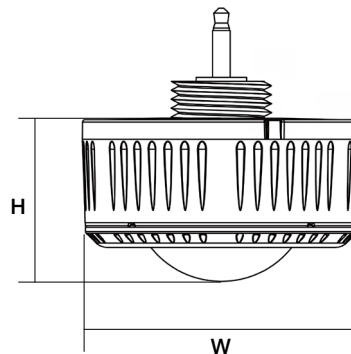
- **Installation:** Plug-N-Play via AUX Socket on Attached Fixture
- **Commissioning:** through Remote Control
- **Control:** Hold time, High-Low setting, Continuous Bi-Level Dimming, Code-Compliant Manual-On or Auto-Off Capability
- **Sensor:** Motion (Occupancy/Vacancy/Manual) and Daylight



**SPECIFICATIONS**

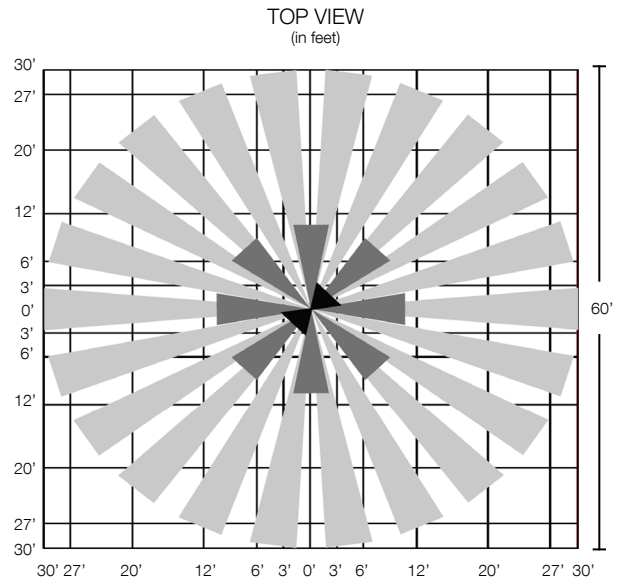
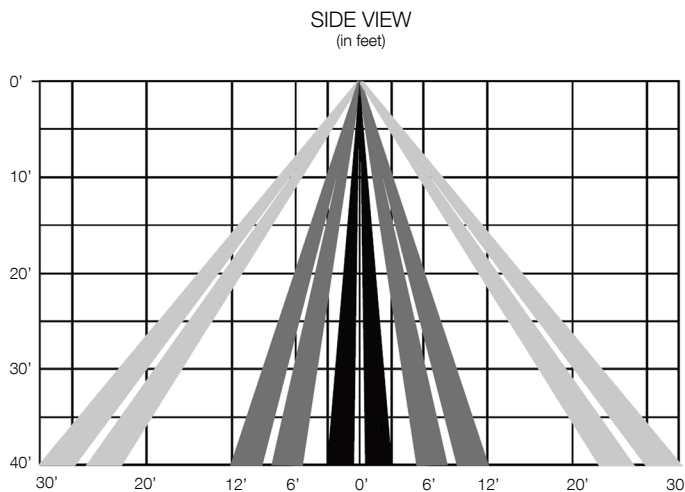
- SENSOR TYPE:** Passive Infrared Sensor (PIR)  
**STANDARD OPTION:** SENSOR-ANT-6-4T  
**EMB OPTION:** SENSOR-ANT-6-4T-EM  
 (Designed for fixtures with emergency kit. When the voltage power is off, the sensor will stop working.)  
**INPUT VOLTAGE:** 12-24VDC, >30mA  
**LIGHT CONTROL:** 10 ~ 50LUX  
**CONTROL OUTPUT:** 0-10V  
**OPERATING TEMP:** -4°F ~ +140°F (-20°C ~ +60°C)  
**COMMISSIONING RANGE:** 50FT from Remote Control  
**TIME SETTING:** 10sec ~ 60min (adjustable)  
**DETECTION ANGLE:** 360°  
**MOUNTING HEIGHT:** Up to 50FT.  
**WARRANTY:** 5 years  
**IP RATING:** IP65

**DIMENSIONS**



H	W
1.03" (26.2mm)	2.17" (55mm)

**COVERAGE PATTERNS**



**ORDER CODES**

- SENSOR-ANT-6-4T** Plug-N-Play PIR on/off/dimming/photosensing up to 40FT MH  
**SENSOR-ANT-6-4T-EM** Plug-N-Play PIR on/off/dimming/photosensing for EMB application up to 40FT MH  
**SENSOR-ANT-6-4T-H** Plug-N-Play PIR on/off/dimming/photosensing up to 50FT MH  
**SENSOR-ANT-6-4T-H-EM** Plug-N-Play PIR on/off/dimming/photosensing for EMB application up to 50FT MH



**FEATURE**

The Remote control wireless IR configuration tool is a handheld tool for remote configuration of IR-enabled fixture integrated sensors. The tool enables device to modify via push button and stores up to four sensor parameter modes to speed configuration of multiple sensors.

	PROGRAMMABLE	RESET
<b>COMPATIBLE SENSORS</b>	SENSOR-ANT-6-4T SENSOR-ANT-6-4T-EM SENSOR-ANT-6-4T-H SENSOR-ANT-6-4T-H-EM SENSOR-ANT-7 SENSOR-ANT-3C-B1 SENSOR-819-D1/D2 SENSOR-823 SENSOR-820	SENSOR-BLE-6-4T SENSOR-BLE-7 SENSOR-BLE-7D SENSOR-BLE-819 SENSOR-BLE-619 CONTROL-BLE-5-4T WALLSWITCH-BLE-101 WALLSWITCH-BLE-204

**SPECIFICATION**

**Carrying Case**

RC-100 in Carrying Case

**Commissioning Range**

Up to 50FT (15mm)

**Operating Temp**

32F ~ 122F (0°C ~ 50°C)

**Power**

2 x AAA 1.5V Alkaline batteries



**Dimension**

L - 4.84" (123mm)  
W - 2.76" (70mm)  
H - .80" (20.3mm) Thickness

**BRIGHTNESS**

Set output level (in 70%, 80%, 90%, or 100%) of connected lighting during occupancy.

**SENSITIVITY**

Set the sensitivity (in 20%, 50%, 75%, or 100%) of the occupancy sensor.

**HOLD TIME**

Set the time (in 10s, 1m, 5m, 10m, 16m, 20m, 30m, or 60m) that the fixture will hold at normal output after the space is vacant.

**DAYLIGHT SENSOR**

Set the threshold of natural light (in 10, 30, or 50) as setpoint to light on automatically for the sensor. If natural light is above the selected threshold, fixture will shut off. Set daylight (in 100, 300, 500) as setpoint to light off.

**STAND-BY DIM/TIME**

**DIM:** Set the output level (in 0%, 10%, 30%, or 50%) of the fixture during vacancy. This will only take place after Hold Time has elapsed.

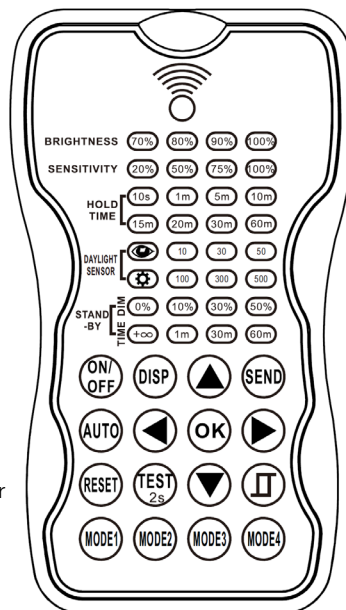
**TIME:** Set the time (+∞, 1m, 30m, or 50m) that the sensor will remain in stand-by mode before powering down.

**ON/OFF**

Use this to manually power a fixture on or off.

**AUTO**

Press Auto to engage/unlock a sensor. Press Auto, then press Display to show the sensors current setting parameters.



**DISPLAY**

Press to Display to view current setting parameters for each function. LED indicators will highlight current settings.

**DIRECTIONAL ARROWS**

Use the arrows to navigate the setting options by pressing up/down or left/right.

**SEND**

Press Send to upload displayed settings to individual sensor/fixture. The fixture will blink on and off to confirm new settings.

**SMART DAYLIGHT SENSOR**

Open and or close smart daylight sensor. Press up/down arrows buttons to enter setting condition, the parameters LEDs of remote control will flash to be selected.

**TEST**

Used to test sensitivity of occupancy sensing. Press Test, then the fixture will enter Test Mode, where Hold Time is only 2s. While Test Mode is active, Stand-By and Daylight sensing will be disabled. Press Auto to exit Test Mode.

**RESET**

Press Reset to put all parameters back to default settings.

**MODE**

Press the Mode # that you want to save. Use Directional Arrows to select new parameters. Press OK to confirm.

**FEATURE**

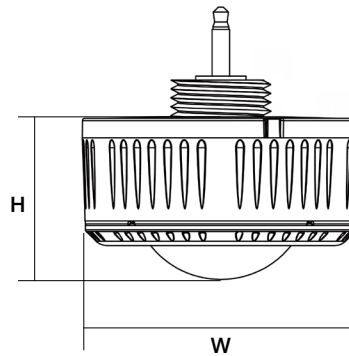
- **Installation:** Plug-N-Play via AUX socket on attached fixture
- **Commissioning:** Wirelessly through ALS Control Mobile App (iOS / Android)
- **Certification:** DLC 5.1 Networked Lighting Control System
- **Control:** Hold time, High-Low setting, continuous Bi-level dimming, Code-compliant manual-on or auto-off capability
- **Sensor:** Motion (Occupancy/Vacancy/Manual) and Daylight Harvesting
- **Room and Zone Control:** Zoning and Grouping control, Scheduling



**SPECIFICATIONS**

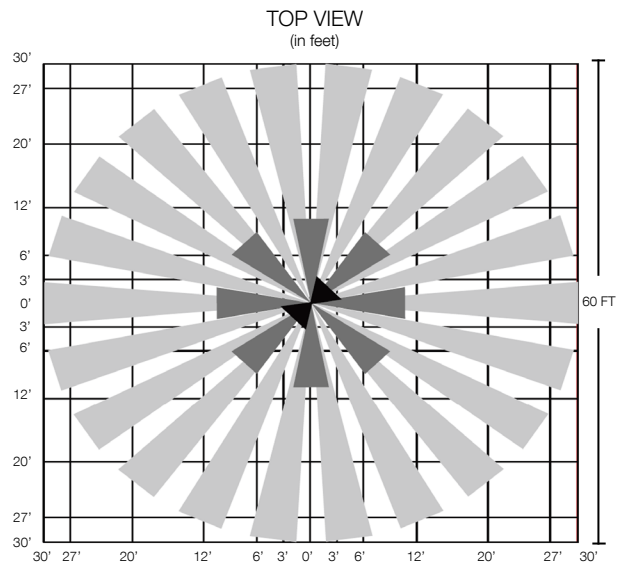
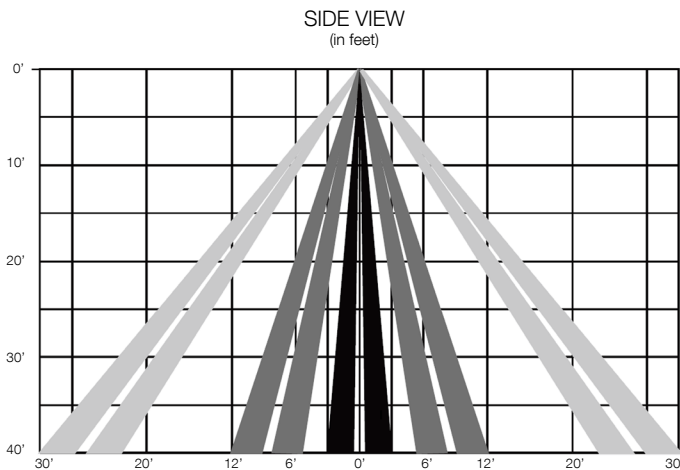
<b>SENSOR TYPE:</b>	Passive Infrared Sensor (PIR)
<b>WIRELESS STANDARDS:</b>	5.0 Bluetooth Mesh
<b>INPUT VOLTAGE:</b>	12-24VDC, >50mA
<b>CONTROL OUTPUT:</b>	0-10V
<b>OPERATING TEMP:</b>	-4°F ~ +140°F (-20°C ~ +60°C)
<b>COMMISSIONING RANGE:</b>	50FT
<b>BLUETOOTH RANGE:</b>	164FT
<b>DETECTION ANGLE:</b>	360°
<b>MOUNTING HEIGHT:</b>	Up to 40FT
<b>WARRANTY:</b>	5 years
<b>IP RATING:</b>	IP65

**DIMENSIONS**



H	W
1.03" (26.2mm)	2.17" (55mm)

**COVERAGE PATTERNS**



**LHCA-G2 SERIES SELECTABLE LINEAR BAY LIGHT**

**CONTROL-LVFA SPEC**

**Status LEDs & Config Button**

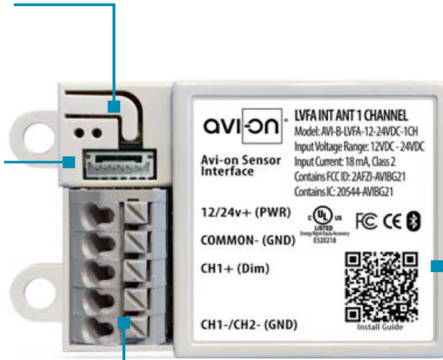
Quick and easy validation of wiring and network

**Direct Connect™ Sensor Port**

Simple and cost-effective addition to Avi-on sensors

**Terminal Blocks & Mounting Tabs**

Faster, easier and lower cost installation eliminating connectors



**Internal Antenna**

Improved performance and eliminates risk of accidentally cutting a hanging wire

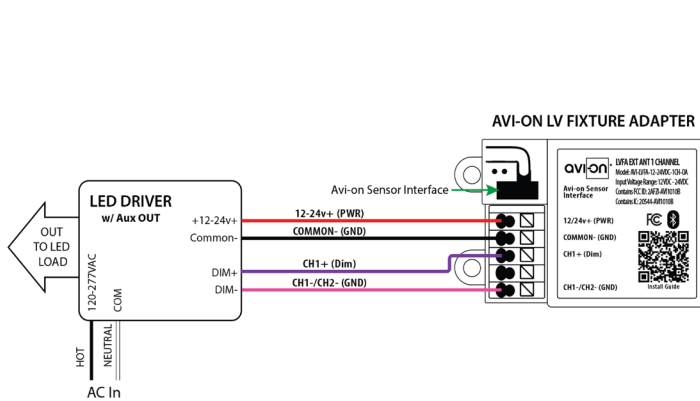
**SPECIFICATIONS**

**INPUT VOLTAGE:** 12-24VDC  
**CURRENT:** 15mA without a Sensor  
 19mA with a DC PIR Sensor  
 48mA with a DC Microwave Sensor  
**0-10V DIMMING:** 12-24VDC  
**SIZE:** 2.30in x 1.43in x 0.75in  
 (58.2mm x 36.4mm x 19mm)  
**MOUNTING:** Removable mounting tabs  
**WEIGHT:** 0.45 oz (16g)  
**OPERATING TEMP:** -22°F to +158°F (-30°C to + 70°C)

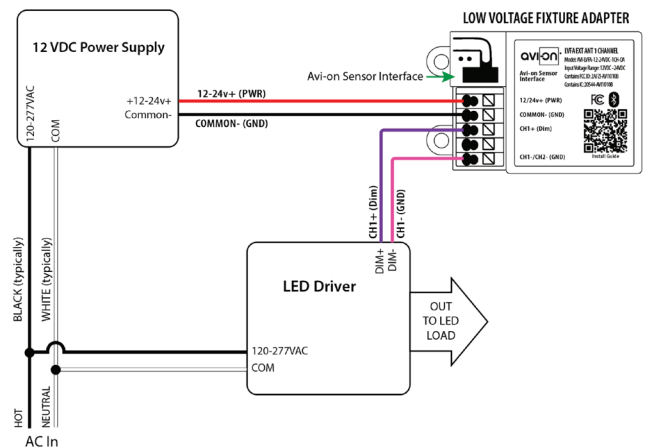
**RADIO FREQUENCY:** 2.4GHz  
**WIRELESS STANDARD:** BLE 4.2 with Mesh  
**POINT TO POINT RANGE\*:** 80ft with obstructions  
 350ft unobstructed  
**SECURITY:** AES 128-bit encryption for device to device communication  
 AES 256-bit encryption for device to cloud communication  
**WARRANTY:** 5 years; 10 years optional  
**REGULATORY:** FCC: 2AFZI-AVI1010 B  
 IC: 20544-AVI1010 B  
 BQB: D031801, DID: 86303  
 UL 916, 2043 (Plenum Rated)

\*When communicating through the mesh, range is essentially unlimited (5000ft+)

**WIRING DIAGRAM**



Fixture adapter powered by LED driver auxiliary output



Fixture adapter connected to LED driver and using power supply