



## PT3A SERIES COURTYARD POST TOP

Client:  
Project:  
Type:  
Quantity:

### CONSTRUCTION

Low copper aluminum alloy die-cast body. Architectural appearance, low EPA wind load design. All external fasteners are stainless steel.  
EPA: 0.52 ft<sup>2</sup>

### OPTICS

Molded silicone gasket throughout insures the sealing between the two compartments and provides ingress protection.  
Polycarbonate lens offers exceptional light distribution and durability without yellowing over time.  
CCT Selectable light engine available in 3000K ~ 5000K (80 CRI).



### ELECTRICAL

80+ CRI LED.  
-40°C up to 45°C\* (-40°F up to 113°F) maximum operating temperature.  
L70 @ 105C > 60,000hrs | L70 @ 25C >250,000hrs.  
50/60Hz, <20% THD, 0.9 power factor.  
Driver operates at 120-277V input, 1-10V dimmable driver, down to 10%.

### SENSORS (OPTIONAL)

SENSOR-BLE-6-4T Integral PIR ALS Control bluetooth/on/off/dimming/photosensing.  
SENSOR-ANT-6-4T Plug-N-Play PIR on/off/dimming/photosensing.  
SENSOR-PH-PT-U/UD Twist lock dimming/non-dimming photocontrol.  
SENSOR-PH-PB-U Integral button style photocell.

### MOUNTING

Suitable for 3" tenon top installation.  
Optional for 4" and 5" tenon adapter.

### SHIPPING DATA

Product	Measurement	Weight
PT3A-60	25"L x 19"W x 7"H	17 lb
PT3A-100	25"L x 19"W x 7"H	18 lb
PT3A-150	25"L x 19"W x 7"H	18 lb

### STANDARD FINISH

Corrosion resistant Dark Bronze powder coating finish.

### CERTIFICATION

IP66 Wet location label standard.  
Meets Buy America Act requirements.  
All luminaires are built to UL1598 standards and bear appropriate cULus labels.  
DLC® Premium (DesignLights Consortium Qualified).

### WARRANTY

5 year warranty, see Limited Warranty for additional information.



**PT3A SERIES COURTYARD POST TOP**

**ORDER INFORMATION** **EXAMPLE: PT3A 60 SC T5 SF3 DB UNVD**

Fixture	Series	Power & LM	CCT	Distribution	Mounting	Finish	Input
	<b>PT3A</b>		<b>SC</b>	<b>T5</b>	<b>SF3</b>	<b>DB</b>	<b>UNVD</b>

Accessories  
Options

**A SERIES**

**PT3A** Dual Selectable Courtyard Post Top

**B POWER & LM**

Code	Power (W)	LM
<b>60</b>	Field Selectable 30 / 50 / 60W	3,900 ~ 7,800
<b>100</b>	Field Selectable 60 / 80 / 100W	7,800 ~ 13,000
<b>150</b>	Field Selectable 120 / 135 / 150W	15,600 ~ 19,500

**C CCT**

**SC** Field Selectable 3000K ~ 5000K

**D DISTRIBUTION**

**5M** Type V Medium

**E MOUNTING**

**SF3** 3" Tenon

**F FINISH**

Standard  
**DB** Dark Bronze

**G INPUT**

**UNVD** 120-277V, 1-10V Dimmable

**H ACCESSORIES/OPTIONS**

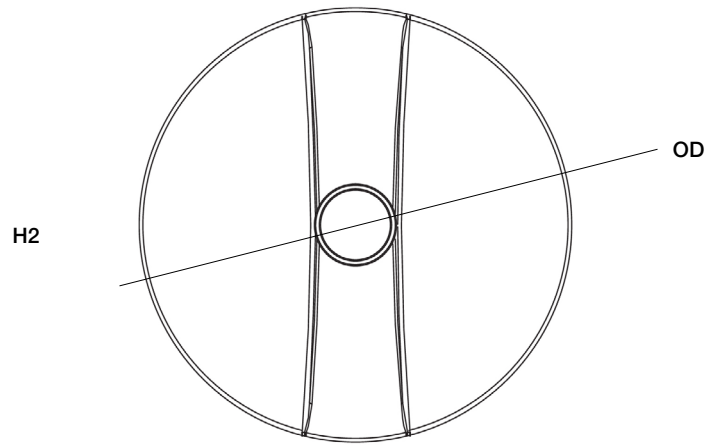
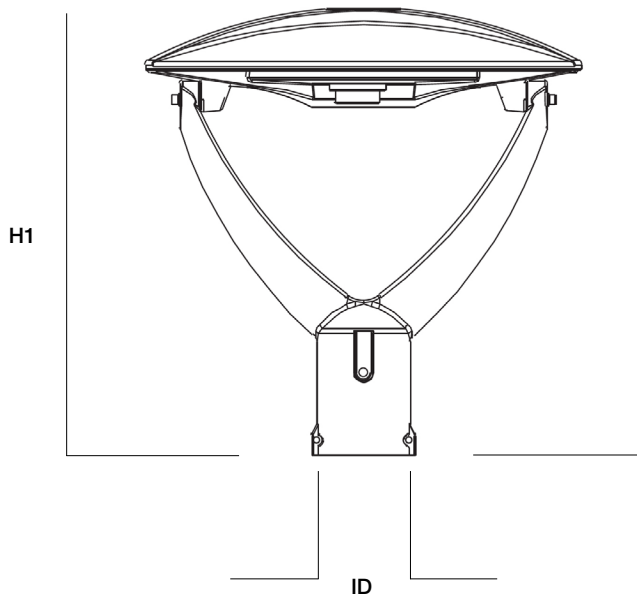
<b>BAA</b>	Assembled in America, compliant with BAA (COTS)
<b>SENSOR-PH-PB-U*</b>	Button Style Photocell
<b>SENSOR-PH-PT-U / UD*</b>	Twist Lock Photocell / <b>U:</b> 120-277V, <b>UD:</b> 120-277V
<b>SENSOR-ANT-6-4T*</b>	Integral PIR on/off/dimming/photosensing
<b>SENSOR-BLE-6-4T*</b>	"Plug-N-Play" Integral Bluetooth Daylight Harvesting Sensor (ALS Control Mobile App)
<b>MOUNT-4SQR-SP-D</b>	4" Tenon Adapter for Round Pole
<b>MOUNT-5SQR-SP-D</b>	5" Tenon Adapter for Round Pole
<b>MOUNT-4SQ-SP-D</b>	4" Tenon Adapter for Square Pole
<b>MOUNT-5SQ-SP-D</b>	5" Tenon Adapter for Square Pole
<b>SURGE-LSP4-U</b>	10kV inline Surge Protection for Universal input / <b>U:</b> 120-277V
<b>REMOTE-RC100</b>	Handheld Remote Commissioning Tool for SENSOR-ANT

\*see page 4 for sensor spec

**PT3A SERIES COURTYARD POST TOP**

**DIMENSIONS**

Model	H1	H2	ID	OD
PT3A-60 / 100 / 150	17.03" (433mm)	13.55" (344mm)	3.07" (78mm)	ø 16.58" (421mm)



**PT3A SERIES COURTYARD POST TOP**

**PERFORMANCE DATA**

SYSTEM WATTS	VOLTAGE	DIST. TYPE	3000K / 4000K / 5000K	
			LUMENS	LPW
30W	120-277V	V	3,900	130
50W	120-277V	V	6,500	130
60W	120-277V	V	7,800	130
80W	120-277V	V	10,400	130
100W	120-277V	V	13,000	130
120W	120-277V	V	15,600	130
135W	120-277V	V	17,550	130
150W	120-277V	V	19,500	130

**SENSOR SPEC**

Model	Type	Mounting	Coverage	Input	Function	Programmable
SENSOR-ANT-6-4T	PIR	up to 40FT	30FT radius	12V DC	On/Off/Dimming	REMOTE-RC100
SENSOR-BLE-6-4T (see page 5 for detail)	PIR	up to 40FT	30FT radius	12V DC	Bluetooth Mesh On/Off/Dimming Daylight Harvesting	ALS Control Bluetooth Mobile App
SENSOR-PH-PB-U	-	-	-	Universal	Dusk-to-Dawn Control	-
SENSOR-PH-PT-U SENSOR-PH-PT-UD	-	-	-	Universal	Dusk-to-Dawn Control	-



SENSOR-ANT-6-4T  
 SENSOR-BLE-6-4T



SENSOR-PH-PB-U



SENSOR-PH-PT-U/UD

**FEATURE**

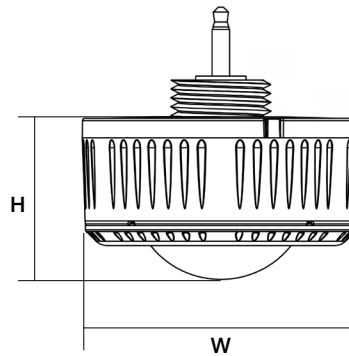
- **Installation:** Plug-N-Play via AUX socket on attached fixture
- **Commissioning:** Wirelessly through ALS Control Mobile App (iOS / Android)
- **Certification:** DLC 5.1 Networked Lighting Control System
- **Control:** Hold time, High-Low setting, continuous Bi-level dimming, Code-compliant manual-on or auto-off capability
- **Sensor:** Motion (Occupancy/Vacancy/Manual) and Daylight Harvesting
- **Room and Zone Control:** Zoning and Grouping control, Scheduling



**SPECIFICATIONS**

<b>SENSOR TYPE:</b>	Passive Infrared Sensor (PIR)
<b>WIRELESS STANDARDS:</b>	5.0 Bluetooth Mesh
<b>INPUT VOLTAGE:</b>	12-24VDC, >50mA
<b>CONTROL OUTPUT:</b>	0-10V
<b>OPERATING TEMP:</b>	-4°F ~ +140°F (-20°C ~ +60°C)
<b>COMMISSIONING RANGE:</b>	50FT
<b>BLUETOOTH RANGE:</b>	164FT
<b>DETECTION ANGLE:</b>	360°
<b>MOUNTING HEIGHT:</b>	Up to 40FT
<b>WARRANTY:</b>	5 years
<b>IP RATING:</b>	IP65

**DIMENSIONS**



H	W
1.03" (26.2mm)	2.17" (55mm)

**COVERAGE PATTERNS**

