



WPA G2 SERIES SELECTABLE FULL-CUTOFF WALL

Client:
Project:
Type:
Quantity:

CONSTRUCTION

Decorative die-cast aluminum housing and door. Rugged design protects internal components and provides excellent thermal management.
Door assembly hinges to side, cast aluminum housing with three 1/2" conduit entries (on top and 2 sides), for surface conduit.

OPTICS

Full cut-off distribution conform to dark sky requirement - individual acrylic LED optics provide IES Type IV distribution.
CCT selectable light engine available with 3000K ~ 5000K (70CRI).

ELECTRICAL

70+ CRI Lumileds LED.
WPA-G2-70 output selectable available with 28W / 42W / 56W / 70W.
WPA-G2-125 output selectable available with 50W / 75W / 100W / 125W.
-40°C up to 45°C (-40°F up to 113°F) maximum operating temperature.
>54,000 hr LED at L70.
Driver operates at 120-277V input, 50/60Hz, <20% THD, 0.9 power factor.
Optional 10kV surge protector.
Optional 347V / 480V Driver.
Optional Self-Diagnostic emergency back up.

SENSORS (OPTIONAL)

SENSOR-820 Integral PIR on/off/dimming/photosensing.
SENSOR-823 Integral PIR on/off/dimming/photosensing.
SENSOR-BLE-619 Integral PIR ALS Control bluetooth/on/off/dimming/photosensing.
CONTROL-LVFA AVI-ON Bluetooth Mesh Controller.
CONTROL-BLE-SK104-PH ALS Control Bluetooth Fixture Controller.

MOUNTING

Wall mount over electrical box or via surface conduit.

STANDARD FINISH

Corrosion resistant Dark Bronze powder coating finish.

CUSTOM FINISH

Corrosion resistant Black, Graphite Metallic, Gray, Silver, and White, or custom RAL#

CERTIFICATION

Wet Location Listed.
Meets Buy America Act requirements.
Option for "BABAA" compliance upon request.
IDA compliant: with 3000K color temperature selection.
Title 24 compliant; see local ordinance for qualification information.
All luminaires are built to UL1598 standards and bear appropriate cULus labels.
DLC® Premium (DesignLights Consortium Qualified) listed.

WARRANTY

5 year warranty, see Limited Warranty for additional information.



SHIPPING DATA

Product	Measurement	Weight
WPA-G2-70	16"L x 9"W x 10"H	8 lb
WPA-G2-125	16"L x 9"W x 10"H	8 lb



WPA G2 SERIES SELECTABLE FULL-CUTOFF WALL

ORDER INFORMATION				EXAMPLE: WPA G2 70 SC FC DB UNVD		
Fixture	Series	Power & LM	CCT	Distribution	Finish	Input
	WPA-G2		SC	FC		

Accessories
Options

A SERIES

WPA-G2 Selectable Full Cutoff Wall Pack Generation 2

B POWER & LM

Code	Power	LM
70	Selectable 28W / 42W / 56W / 70W	4,400lm ~ 11,000lm
125	Selectable 50W / 75W / 100W / 125W	7,600lm ~ 19,000lm

C CCT

SC Selectable 3000K / 4000K / 5000K

D DISTRIBUTION

FC Full Cutoff

E FINISH

Standard

DB Dark Bronze

Custom Color

CC	BK	Black	GM	Graphite Metallic	GR	Gray
	SV	Silver	WH	White	RAL#	

F INPUT

UNVD-P 120-277V, 0-10V dimming, with photocell
HVLD-P 347-480V, 0-10V dimming, with photocell

G ACCESSORIES/OPTIONS

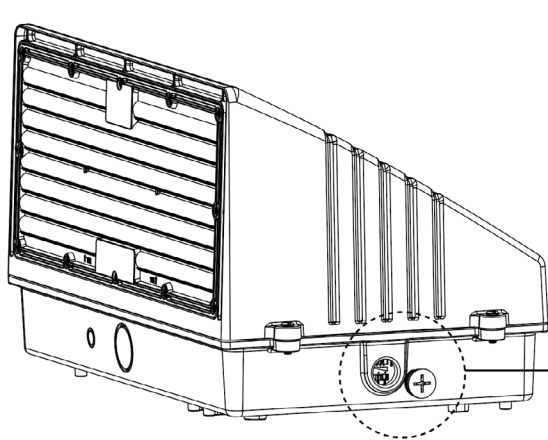
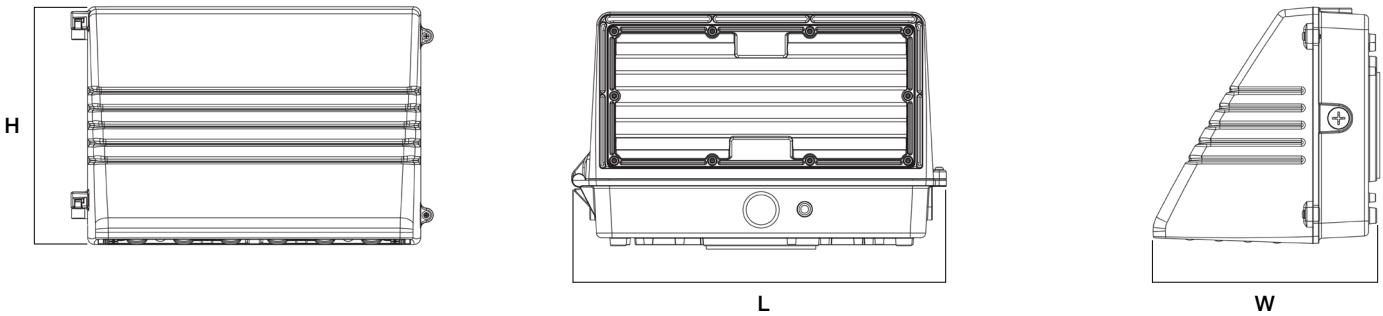
BAA Assembled in America, compliant with BAA (COTS)
BABAA Build America, Buy America Act (BABAA) Compliant / Made with Hi-Lumen Housing Only
EMB-8W-B* 90-Minute Self-Diagnostic Emergency Battery 8W 100-347VAC Input 170VDC Output
EMB-18W-B* 90-Minute Self-Diagnostic Emergency Battery 18W 100-347VAC Input 170VDC Output
EMB-18W-C-B* 90-Minute Self-Diagnostic Emergency Battery 18W 100-347VAC Input 170VDC Output -20°C-50°C (-4°F-122°F)
REMOTE-RC100 Handheld Remote Commissioning Tool for SENSOR-823, 820 Series
SENSOR-820* Integral PIR on/off/dimming/photosensing (120-480V)
SENSOR-823-D-L3 / L4* Integral PIR on/off/dimming/photosensing (120-277V) / **L3:** up to 40FT, **L4:** up to 8FT
SENSOR-BLE-619-L3 / L4* Integral PIR Bluetooth Daylight Sensor (ALS Control Mobile App) / **L3:** up to 40FT, **L4:** up to 8FT
SURGE-LSP4-U / H 10kV inline Surge Protection for Universal input / **U:** 120-277V, **H:** 480V input
CONTROL-LVFA* AVI-ON Bluetooth Mesh Control System (12V DC Power by Driver)
CONTROL-BLE-SK104-PH* AVI-ON Bluetooth Mesh Control System

*see page 5 and 6 for spec

WPA G2 SERIES SELECTABLE FULL-CUTOFF WALL

DIMENSIONS

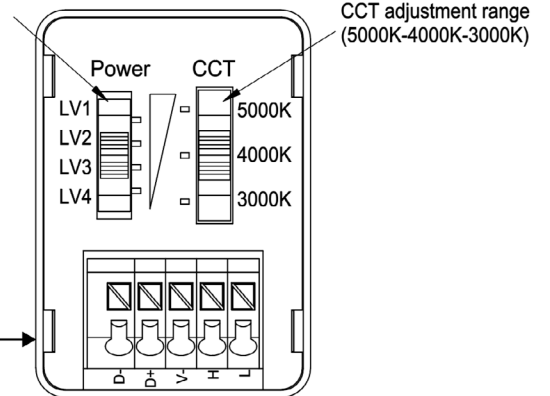
Model	L	W	H
WPA-G2-70			
WPA-G2-125	14.2" (361mm)	8.7" (223mm)	9.2" (235mm)



Dip Switch located in back box

Power adjustment range

POWER		
LV1	70W	125W
LV2	56W	100W
LV3	42W	75W
LV4	28W	50W



Power and CCT dial switch

WPA G2 SERIES SELECTABLE FULL-CUTOFF WALL

PERFORMANCE DATA

SYSTEM WATTS	VOLTAGE	@ 4000K	
		LUMENS	LPW
WPA-G2-70W @ 28W	120-277V	4806	171
WPA-G2-70W @ 42W	120-277V	7059	168
WPA-G2-70W @ 56W	120-277V	9154	163
WPA-G2-70W @ 70W	120-277V	11097	158
WPA-G2-125W @ 50W	120-277V	8220	164
WPA-G2-125W @ 75W	120-277V	12109	161
WPA-G2-125W @ 100W	120-277V	15712	157
WPA-G2-125W @ 125W	120-277V	19099	153

PERFORMANCE DATA / DLC CODE

SYSTEM WATTS	CCT	VOLTAGE	LUMEN	LPW	QTY ON PALLET	PART NUMBER	DLC PRODUCT ID / ORDER CODE	DLC CLASS
WPA-G2-70	3000K ~ 5000K	120-277V	11097	158	96	WPA-G2-70SCFC-[DB, BK, WH][UNVD]-[Blank, P]	S-GJQBT5	DLC 5.1 Premium
WPA-G2-125	3000K ~ 5000K	120-277V	19099	153	96	WPA-G2-125SCFC-[DB, BK, WH][UNVD]-[Blank, P]	S-X7X7NC	DLC 5.1 Premium

WPA G2 SERIES SELECTABLE FULL-CUTOFF WALL

SENSOR SPEC

Model	Type	Mounting	Coverage	Input	Function	Programmable
SENSOR-823	PIR	L3 - 40FT L4 - 8FT	30FT radius 24FT radius	Universal	On/Off/Dimming	REMOTE-RC100
SENSOR-820	PIR	up to 40FT	30FT radius	100 ~ 480V	On/Off/Dimming Daylight Harvesting	REMOTE-RC100
SENSOR-BLE-619 (see page 10 for detail)	PIR	L3 - 40FT L4 - 8FT	30FT radius 24FT radius	12V DC	Bluetooth Mesh On/Off Daylight	ALS Control Bluetooth Mobile App
CONTROL-LVFA (see page 9 for detail)	-	-	-	12V DC	Bluetooth Mesh On/Off/Dimming Scheduling	AVI-ON Bluetooth Mobile App
CONTROL-BLE-SK104-PH (see page 11 for detail)	Fixture Controller	-	-	12VDC	Bluetooth Mesh On/Off/Dimming Scheduling CCT Tuning	ALS Control Bluetooth Mobile Control



SENSOR-823



SENSOR-820



SENSOR-BLE-619



CONTROL-LVFA



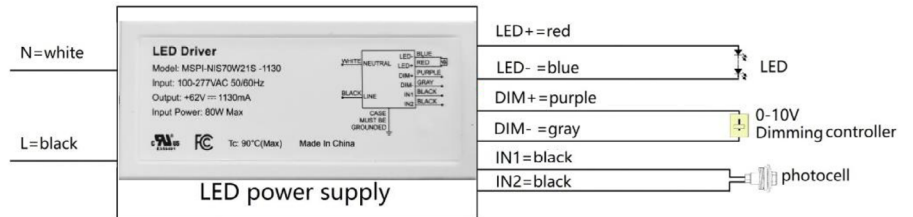
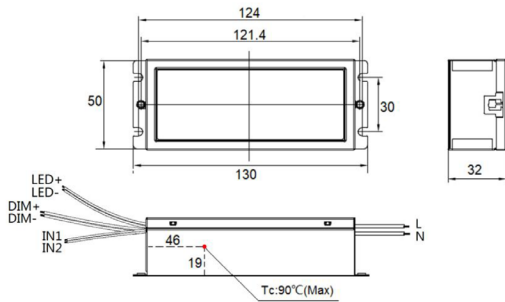
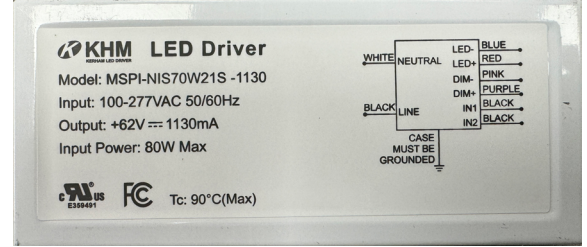
CONTROL-BLE-SK104-PH

WPA G2 SERIES SELECTABLE FULL-CUTOFF WALL

DRIVER SPECIFICATION

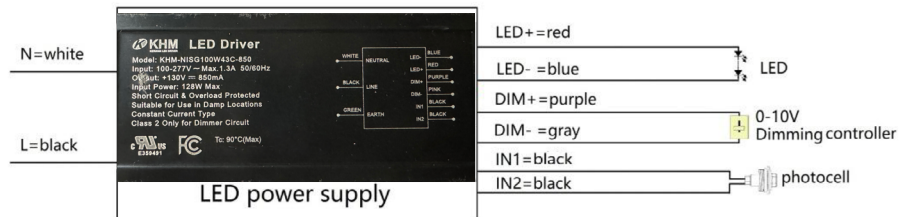
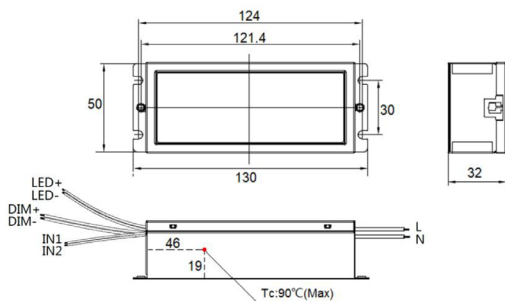
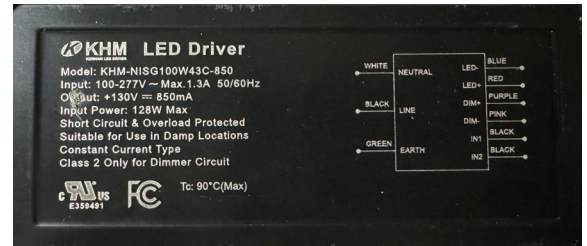
WPA-G2-70 Driver Spec

- Input: 100-277Vac / 347~480Vac
- Output Wattage: 80W Max
- Output Voltage: 63Vdc Max
- Output Current: 1130mA Max
- Power Factor: 0.91
- THD: 17% MAX
- Dimming: 0-10V Dim to Off
- AUX Output: 12Vdc
- MAX Temp: 90°C



WPA-G2-125 Driver Spec

- Input: 100-277Vac / 347~480Vac
- Output Wattage: 128W Max
- Output Voltage: 130Vdc Max
- Output Current: 850mA Max
- Power Factor: 0.93
- THD: 17% MAX
- Dimming: 0-10V Dim to Off
- AUX Output: 12Vdc
- MAX Temp: 90°C



WPA G2 SERIES SELECTABLE FULL-CUTOFF WALL

EMB SPECIFICATION

CONSTRUCTION

Red Metal Casing with separate external battery with quick connector.

ELECTRICAL

Universal Input: 100 ~ 347V AC, 50/60Hz

Input Current: 150mA

Recharge Power: 10W

Output Voltage: 170V DC

Surge Protection: Line-Neutral 3KV

Emergency Power: 8W / 18W

Standard Operating Temperature: **EMB-8W-B / EMB-18W-B:** 5°C ~ 50°C (41°F ~ 122°F) / **EMB-18W-C-B:** -20°C ~ 50°C (-4°F ~ 122°F)

Recharge Time: 24 Hours

Discharge Time: 90 Mins

Smart battery built-in over temperature, over charge, over discharge protections.



Self Diagnostic Li-ion Battery

The integrated Self-Diagnostic circuitry will automatically conduct monthly 30-second and annual 90-minute tests to verify proper emergency capability per Life Safety Code requirements.

NFPA 101, Life Safety Code Outlines the following schedule:

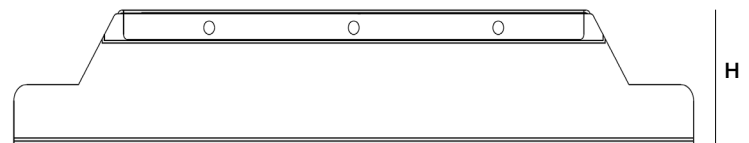
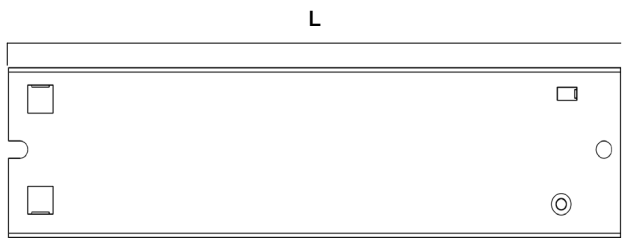
Monthly- During AC mode, the system conducts a (30)seconds self-discharge test of the emergency led driver every 30 days. And automatically restore to normal charging after (30)seconds dis-charged.

Annually- During AC mode, the system conducts a (90)minutes self-discharge test of the emergency led driver every 365 days. And automatically restore to normal charging after fully dis-charged.

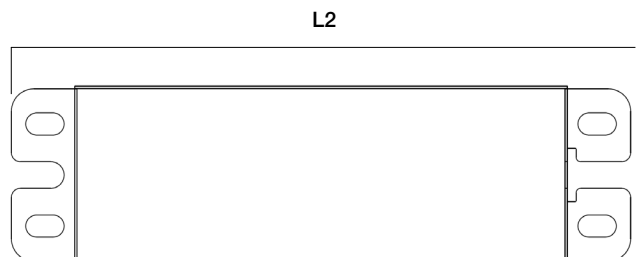
DIMENSIONS

MODEL	L	L2	W	W2	H	H2
EMB-8W-B	7.32" (186mm)	4.25" (108mm)	1.50" (38mm)	1.63" (42mm)	0.99" (25mm)	0.99" (25mm)
EMB-18W-B	7.32" (186mm)	7.07" (179mm)	1.50" (38mm)	1.63" (42mm)	0.99" (25mm)	0.99" (25mm)
EMB-18W-C-B	7.32" (186mm)	7.07" (179mm)	1.50" (38mm)	2.27" (58mm)	0.99" (25mm)	1.29" (33mm)

DRIVER



BATTERY



WPA G2 SERIES SELECTABLE FULL-CUTOFF WALL

CONTROL-LVFA SPEC

Status LEDs & Config Button

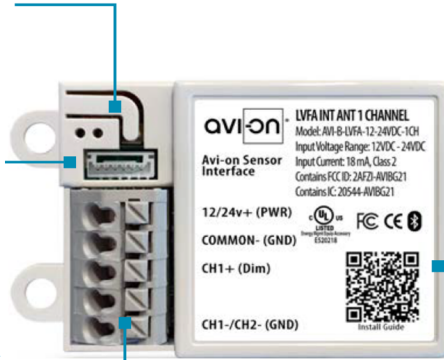
Quick and easy validation of wiring and network

Direct Connect™ Sensor Port

Simple and cost-effective addition to Avi-on sensors

Terminal Blocks & Mounting Tabs

Faster, easier and lower cost installation eliminating connectors



Internal Antenna

Improved performance and eliminates risk of accidentally cutting a hanging wire

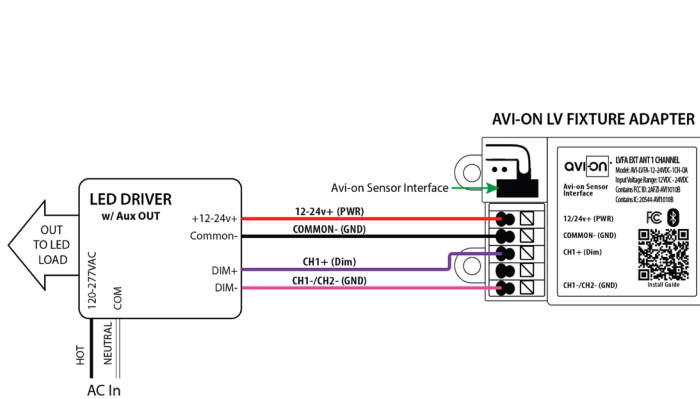
SPECIFICATIONS

INPUT VOLTAGE: 12-24VDC
CURRENT: 15mA without a Sensor
 19mA with a DC PIR Sensor
 48mA with a DC Microwave Sensor
0-10V DIMMING: 12-24VDC
SIZE: 2.30in x 1.43in x 0.75in
 (58.2mm x 36.4mm x 19mm)
MOUNTING: Removable mounting tabs
WEIGHT: 0.45 oz (16g)
OPERATING TEMP: -22°F to +158°F (-30°C to + 70°C)

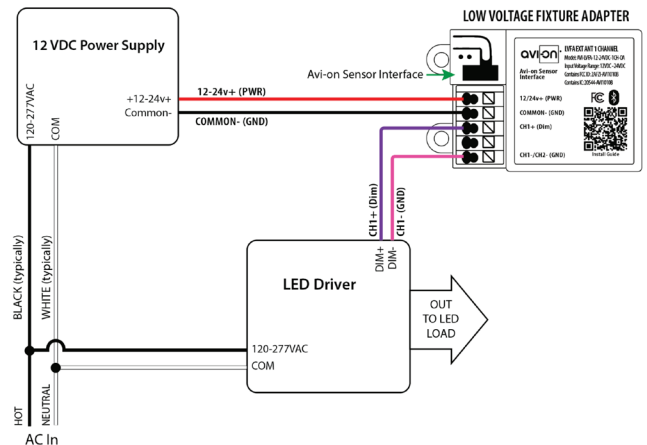
RADIO FREQUENCY: 2.4GHz
WIRELESS STANDARD: BLE 4.2 with Mesh
POINT TO POINT RANGE*: 80ft with obstructions
 350ft unobstructed
SECURITY: AES 128-bit encryption for device to device communication
 AES 256-bit encryption for device to cloud communication
WARRANTY: 5 years; 10 years optional
REGULATORY: FCC: 2AFZI-AVI1010 B
 IC: 20544-AVI1010 B
 BQB: D031801, DID: 86303
 UL 916, 2043 (Plenum Rated)

*When communicating through the mesh, range is essentially unlimited (5000ft+)

WIRING DIAGRAM



Fixture adapter powered by LED driver auxiliary output



Fixture adapter connected to LED driver and using power supply

FEATURE

- **Installation:** Factory Install - Sensor integral to fixture, lens external
- **Commissioning:** Wirelessly through ALS Control Mobile App (iOS / Android)
- **Certification:** DLC 5.1 Networked Lighting Control System
- **Control:** Hold time, High-Low setting, continuous Bi-level dimming, manual/auto - on/off
- **Sensor:** Motion (Occupancy/Vacancy/Manual) and Daylight
- **Zone Control:** Zoning and Grouping control, Scheduling

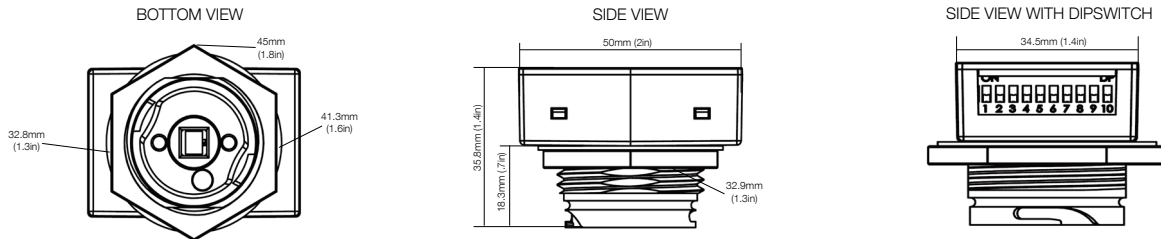


SPECIFICATIONS

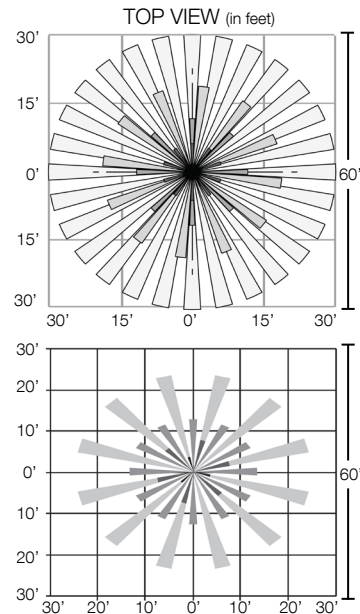
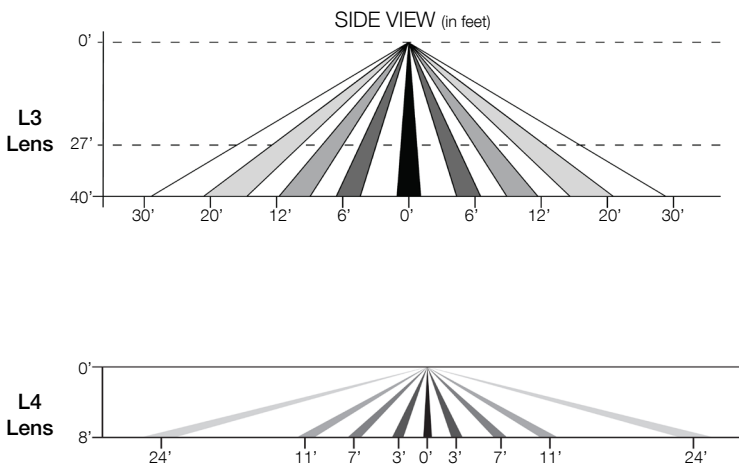
SENSOR TYPE: Passive Infrared Sensor (PIR)
WIRELESS STANDARDS: Bluetooth SIG Mesh
INPUT VOLTAGE: 12-24VDC, >50mA
CONTROL OUTPUT: 0-10V
OPERATING TEMP: -40°F ~ +158°F (-40°C ~ +70°C)

COMMISSIONING RANGE: 50FT
BLUETOOTH RANGE: Integral antenna up to 100FT
DETECTION ANGLE: Vertical 90° x Horizontal 360°
MOUNTING HEIGHT: 8 - 40FT
WARRANTY: 5 years
IP RATING: IP65

DIMENSIONS



COVERAGE PATTERNS



FEATURE

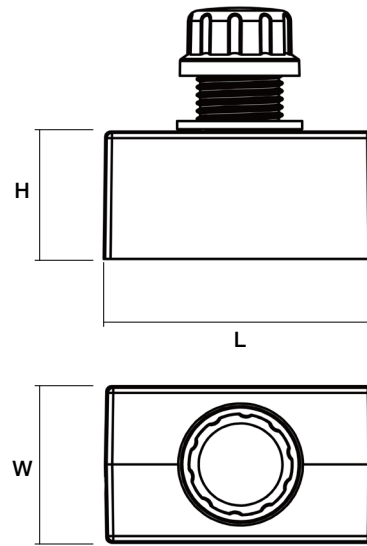
- **Installation:** Factory / Jobsite install through 1/2" knockout hole, 12V AUX power required
- **Commissioning:** Wirelessly through ALS Control Mobile App (iOS / Android)
- **Certification:** DLC 5.1 Networked Lighting Control System
- **Control:** High-End Trim, Zoning, Continuous Bi-level Dimming
- **CCT Tuning:** CCT Tuning feature for Dual/Multi-CCT LED board fixture only
- **Sensor:** Photocell
- **Zone Control:** Zoning and Grouping control, Scheduling



SPECIFICATIONS

SENSOR TYPE:	Photocell
WIRELESS STANDARDS:	5.0 Bluetooth Mesh
INPUT VOLTAGE:	12-14VDC, >50mA
CONTROL OUTPUT:	0-10V
OPERATING TEMP:	-40°F ~ +158°F (-40°C ~ +70°C)
COMMISSIONING RANGE:	50FT
BLUETOOTH RANGE:	100FT
DETECTION ANGLE:	360°
WARRANTY:	5 years
IP RATING:	IP65

DIMENSIONS



L	H	W
1.14" (29mm)	0.94" (24mm)	1.97" (50mm)

WIRING DIAGRAM

