



ILxA-MC SERIES SELECTABLE LINEAR STRIP

Client:
Project:
Type:
Quantity:

CONSTRUCTION

4-Foot compact design channel formed from cold-rolled 22-gauge steel with matte White finish. 1/2" knockout made on end cap for sensor or surface conduit mount.

OPTICS

End-to-end U-shaped frosted polycarbonate (PC) lens standard.

ELECTRICAL

Delivered 130lm/W efficacy LEDs offer 80+ color rendering index (CRI).
L70 >100,000 hours expected life @50°C ambient.
L70 >130,000 hours expected life @25°C ambient.
-40°C up to 50°C (-40°F up to 122°F) maximum operating temperature.
Selectable lumen and CCT technology allows easy field-adjustable capability.
Luminaire ships with maximum output and 4000K CCT setting.
Driver operates at 120-277V input, 0-10V dimmable driver, dimmable down to 10%.



SENSORS (OPTIONAL)

SENSOR-819-O1 End mount on/off motion sensor with lowbay lens.
SENSOR-819-D1 End mount on/off/dimming and photocell sensor with lowbay lens.
SENSOR-BLE-819 End mount ALS CONTROL bluetooth on/off motion sensor lowbay lens.
SENSOR-BLE-7 Integral Microwave Bluetooth Wireless Motion/on/off/dimming/photosensing.
SENSOR-ANT-3C-B1 Integral Microwave Motion/on/off/dimming/photosensing.
CONTROL-LVFA AVI-ON Bluetooth Mesh Controller.

MOUNTING

Designed for direct wire or as a portable luminaire with use of power cord.*
Surface mountable underneath electrical box (5" OD beauty ring included).
*Power cord - optional add-on.

SHIPPING DATA

Product	Measurement	Weight
IL2A-MC	24"L x 3"W x 3"H	3 lb
IL4A-MC	48"L x 3"W x 3"H	5 lb
IL8A-MC	96"L x 3"W x 3"H	10 lb

STANDARD FINISH

Corrosion resistant semi-gloss White finish, suitable for damp location.

CUSTOM FINISH

Anti-Microbial White finish.

CERTIFICATION

Damp location label standard.
Meets Buy America Act requirements.
All luminaires are built to UL1598 standards and bear appropriate cULus labels.
For Emergency application, equipment with UL924 certified battery packs.
DLC® Standard (DesignLights Consortium Qualified).

WARRANTY

5 year warranty, see Limited Warranty for additional information.



ILxA-MC SERIES SELECTABLE LINEAR STRIP

ORDER INFORMATION **EXAMPLE: IL 4A-MC WH UD**

Fixture	Series	Size	Finish	Input
	IL		WH	

Accessories
Options

A SERIES

IL Linear Strips

B SIZE

Code	Size	Power	CCT
2A-MC	2-Foot	15W / 20W / 25W	3500K / 4000K / 5000K
4A-MC	4-Foot	21W / 26W / 34W / 40W	3000K / 3500K / 4000K / 5000K / 6500K
8A-MC	8-Foot	65W / 75W / 90W	3500K / 4000K / 5000K

C FINISH

WH	White	AMP	Anti-Microbial White
-----------	-------	------------	----------------------

D INPUT

UD	120-277V, 0-10V Dimmable	MD	120-347V, 0-10V Dimmable
-----------	--------------------------	-----------	--------------------------

E ACCESSORIES/OPTIONS

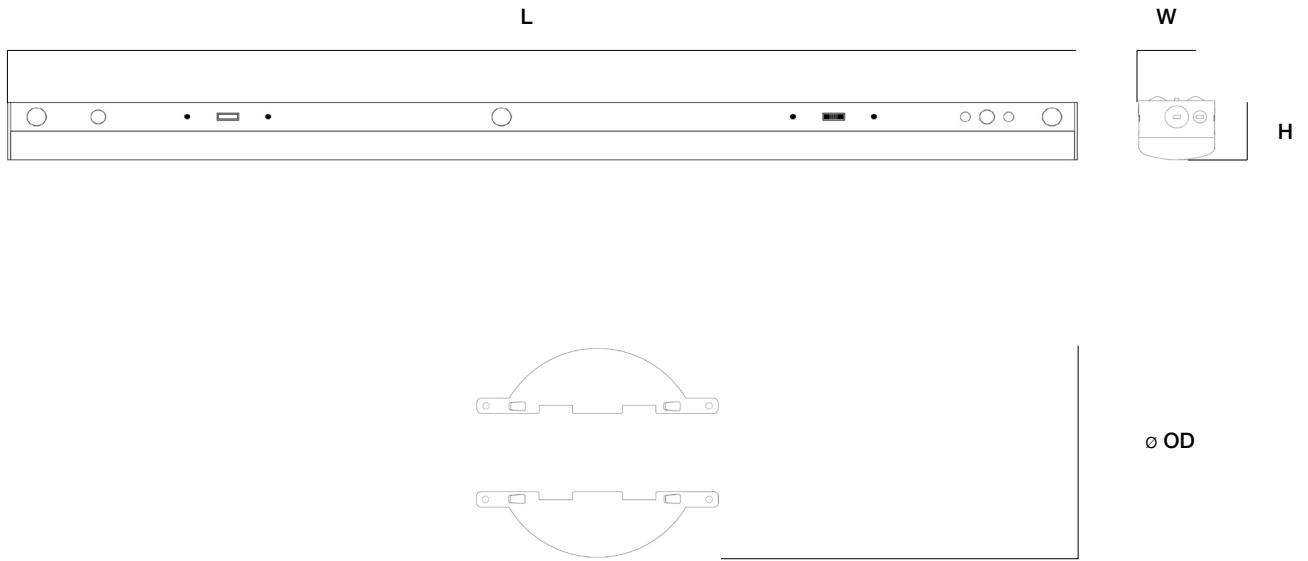
BAA	Assembled in America, compliant with BAA (COTS)
90CRI	90CRI
MOUNT-HIGHBAY-CK	Aircraft Cable Hanger Kit (Pair)
EMB-8W-B**	90-Minute Self-Diagnostic Emergency Battery 8W 100-347VAC Input 170VDC Output
SENSOR-819-O1*	End mount on/off motion sensor with lowbay lens
SENSOR-819-D1*	End mount on/off/dimming and photocell sensor with lowbay lens
SENSOR-BLE-819-L1*	End Mount PIR Bluetooth Daylight Harvesting Sensor (ALS Control Mobile App) / L1: up to 20FT
SENSOR-BLE-7*	Integral Microwave Bluetooth Wireless Bi-Level Motion Sensor (ALS Control Mobile App)
SENSOR-ANT-3C-B1*	Integral Microwave Bi-Level Motion Sensor
CONTROL-LVFA*	AVI-ON Bluetooth Mesh Control System
SURGE-LSP4-U	10kV inline Surge Protection for Universal input
REMOTE-RC100	Handheld Remote Commissioning Tool for SENSOR-819-D1/D2 Only, ANT Series
WIREGUARD-IL4A-MC	4ft Wire Guard IL4A-MC (1:1) IL8A-MC (2:1)
-CORD	18-3 300V 6 Foot Cord
-PLUG	18-3 300V 6 Foot and 3 Prong Plug

*see page 5 for sensor spec
 **see page 6 for emb spec

ILxA-MC SERIES SELECTABLE LINEAR STRIP

DIMENSIONS

Model	L	W	H	OD
IL2A-MC	23.30" (592mm)	2.80" (72mm)	2.50" (64mm)	-
IL4A-MC	47.30" (1202mm)	2.80" (72mm)	2.50" (64mm)	-
IL8A-MC	95.30" (2420mm)	2.80" (72mm)	2.50" (64mm)	-
Beauty Ring	-	-	-	ø 5.00" (127mm)



Surface Mount Beauty Ring
 Mounts on back of the fixture

ILxA-MC SERIES SELECTABLE LINEAR STRIP

PERFORMANCE DATA

SYSTEM WATTS	SIZE	VOLTAGE	3500K		4000K		5000K	
			LUMEN	LPW	LUMEN	LPW	LUMEN	LPW
15W	2-Foot	120-277V	1950	130	1965	131	1980	132
20W	2-Foot	120-277V	2600	130	2620	131	2640	132
25W	2-Foot	120-277V	3250	130	3275	131	3300	132
21W	4-Foot	120-277V	3150	150	3150	150	3150	150
34W	4-Foot	120-277V	5100	150	5100	150	5100	150
40W	4-Foot	120-277V	6000	150	6000	150	6000	150
65W	8-Foot	120-277V	8450	130	8515	131	8580	132
75W	8-Foot	120-277V	9750	130	9825	131	9900	132
90W	8-Foot	120-277V	11700	130	11790	131	11880	132

DLC CODE

Part Number	DLC Product ID	DLC Class
IL4A-MC	S-719RS5	Standard

ILxA-MC SERIES SELECTABLE LINEAR STRIP

SENSOR SPEC

Model	Type	Mounting	Coverage	Input	Function	Programmable
SENSOR-819-O1	PIR	20FT	30FT radius	Universal	On/Off	-
SENSOR-819-D1	PIR	20FT	30FT radius	Universal	On/Off/Dimming	REMOTE-RC100
SENSOR-BLE-819 (see page 9 for detail)	PIR	L1 - 20FT	30FT radius	Universal	Bluetooth Mesh On/Off/Dimming Daylight Harvesting	ALS Control Bluetooth Mobile App
SENSOR-BLE-7 (see page 10 for detail)	Microwave	up to 13FT	17FT radius	12V DC	Bluetooth Mesh On/Off/Dimming Motion Daylight Sensing	ALS Control Bluetooth Mobile App
SENSOR-ANT-3C-B1	Microwave	up to 12FT	12FT radius	10V DC	On/Off/Dimming Motion Daylight Sensing	REMOTE-RC100
CONTROL-LVFA (see page 7 for detail)	Fixture Controller	-	-	12V DC	Bluetooth Mesh On/Off/Dimming Scheduling	AVI-ON Bluetooth Mobile App



SENSOR-819-XX
 SENSOR-BLE-819



SENSOR-BLE-7



SENSOR-ANT-3C-B1



CONTROL-LVFA

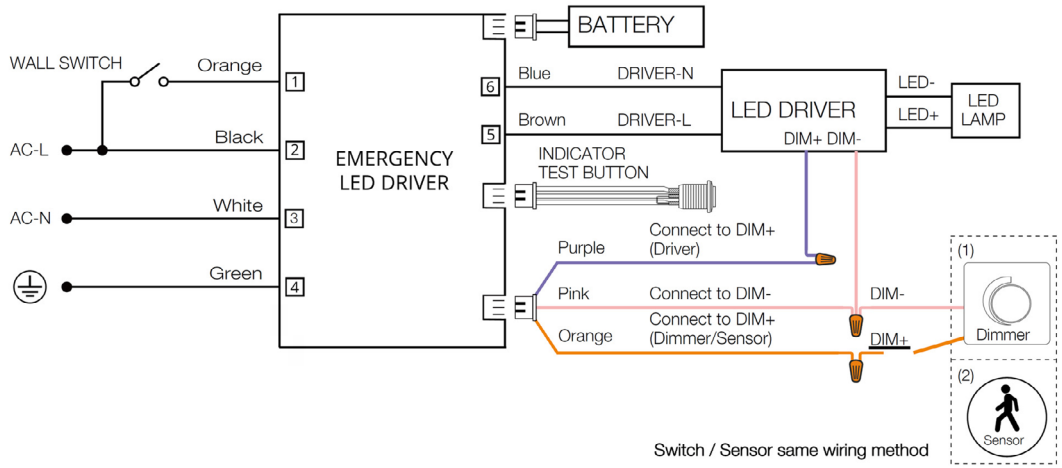


CONTROL-BLE-620

ILxA-MC SERIES SELECTABLE LINEAR STRIP

EMB SPEC

Model	Compatible Fixture	Battery Capacity	Input	Output	Output Power	Operating Temp	Installation
EMB-8W-B	IL4A-MC	90mins	100-347VAC	170VDC	8W	0°C ~ 50°C 32°F ~ 122°F	Factory or Field Install



ILx-A-MC SERIES SELECTABLE LINEAR STRIP

CONTROL-LVFA SPEC

Status LEDs & Config Button

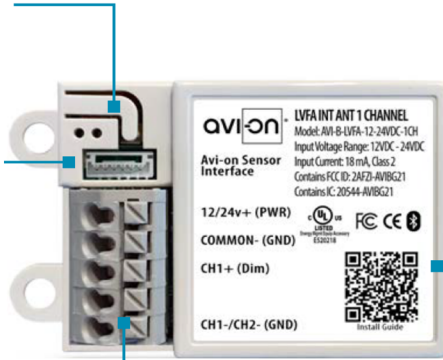
Quick and easy validation of wiring and network

Direct Connect™ Sensor Port

Simple and cost-effective addition to Avi-on sensors

Terminal Blocks & Mounting Tabs

Faster, easier and lower cost installation eliminating connectors



Internal Antenna

Improved performance and eliminates risk of accidentally cutting a hanging wire

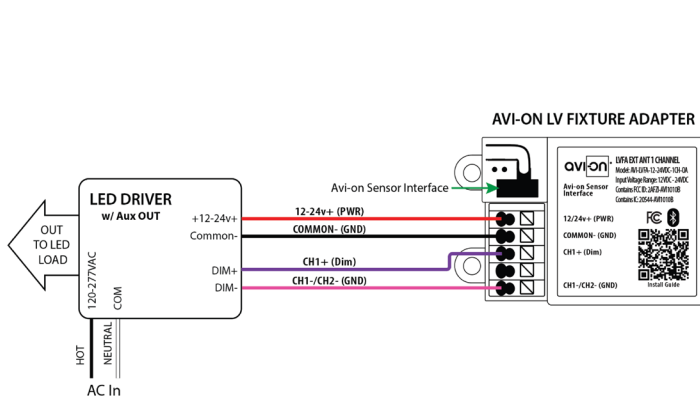
SPECIFICATIONS

INPUT VOLTAGE: 12-24VDC
CURRENT: 15mA without a Sensor
 19mA with a DC PIR Sensor
 48mA with a DC Microwave Sensor
0-10V DIMMING: 12-24VDC
SIZE: 2.30in x 1.43in x 0.75in
 (58.2mm x 36.4mm x 19mm)
MOUNTING: Removable mounting tabs
WEIGHT: 0.45 oz (16g)
OPERATING TEMP: -22°F to +158°F (-30°C to + 70°C)

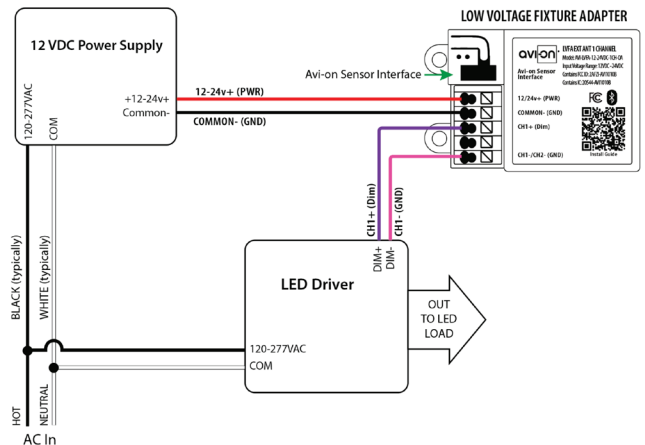
RADIO FREQUENCY: 2.4GHz
WIRELESS STANDARD: BLE 4.2 with Mesh
POINT TO POINT RANGE*: 80ft with obstructions
 350ft unobstructed
SECURITY: AES 128-bit encryption for device to device communication
 AES 256-bit encryption for device to cloud communication
WARRANTY: 5 years; 10 years optional
REGULATORY: FCC: 2AFZI-AVI1010 B
 IC: 20544-AVI1010 B
 BQB: D031801, DID: 86303
 UL 916, 2043 (Plenum Rated)

*When communicating through the mesh, range is essentially unlimited (5000ft+)

WIRING DIAGRAM



Fixture adapter powered by LED driver auxiliary output



Fixture adapter connected to LED driver and using power supply



CONTROL-BLE-620 BLUETOOTH CONTROLLER

Client:
Project:
Type:
Quantity:

FEATURE

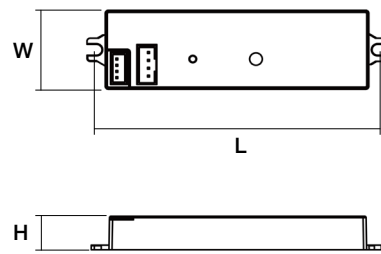
- **Installation:** Factory installed, 12V AUX power required
- **Commissioning:** Wirelessly through ALS Control Mobile App (iOS / Android)
- **Certification:** DLC 5.1 Networked Lighting Control System
- **Control:** Dimming, High-End Trim, Zoning, Continuous Bi-level Dimming
- **CCT Tuning:** CCT Tuning feature for Dual/Multi-CCT LED board fixture only
- **Sensor:** Plug-N-Play with ALS Control sensors
- **Zone Control:** Zoning and Grouping control, Scheduling



SPECIFICATIONS

WIRELESS STANDARDS:	5.0 Bluetooth Mesh
INPUT VOLTAGE:	12-14VDC, >50mA
OUTPUT VOLTAGE:	LED Max. 150VDC Max. 2A
CONTROL OUTPUT:	0-10V
OPERATING TEMP:	-40°F ~ +158°F (-40°C ~ +70°C)
COMMISSIONING RANGE:	50FT
BLUETOOTH RANGE:	100FT
WARRANTY:	5 years
IP RATING:	IP20

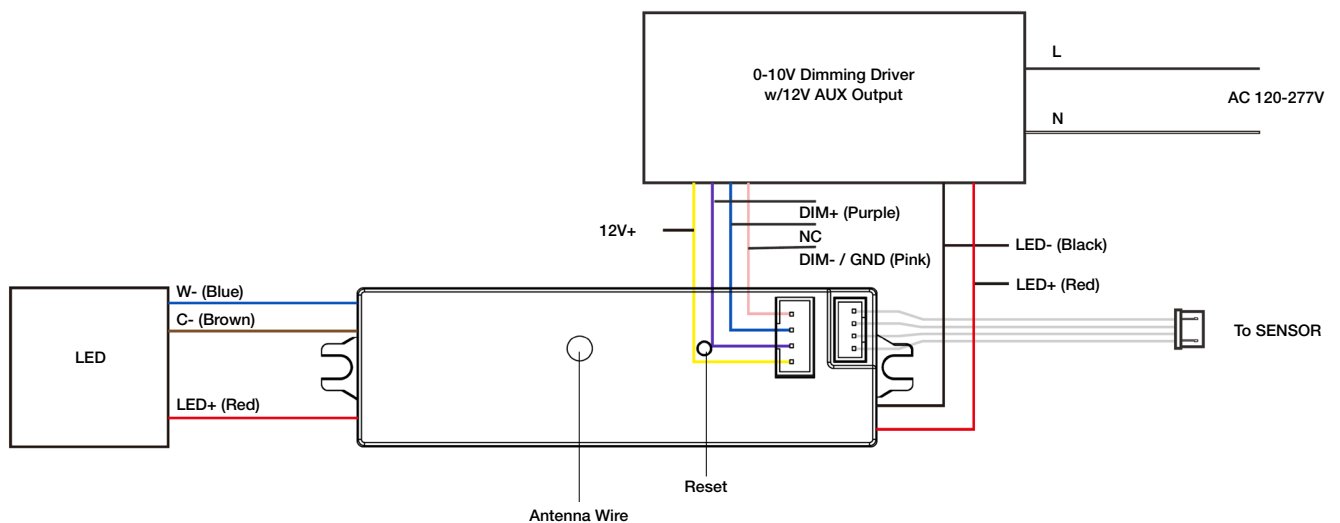
DIMENSIONS



L	H	W
3.5" (89mm)	0.43" (11mm)	1.00" (26mm)

Lead Wire	Antenna Wire
10.60" (270mm)	10.60" (270mm)

WIRING DIAGRAM



Client:
Project:
Type:
Quantity:

FEATURE

- **Installation:** Factory or Field Install End Mount to Fixture
- **Commissioning:** Wirelessly through ALS Control Mobile App (iOS / Android)
- **Certification:** DLC 5.1 Networked Lighting Control System
- **Control:** Hold time, High-Low setting, continuous Bi-level dimming, Code-compliant manual-on or auto-off capability
- **Sensor:** Motion (Occupancy/Vacancy/Manual) and Daylight Harvesting
- **Room and Zone Control:** Zoning and Grouping control, Scheduling

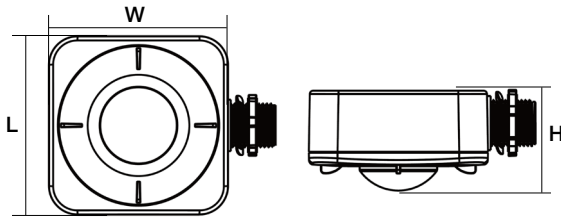


SPECIFICATIONS

SENSOR TYPE: Passive Infrared Sensor (PIR)
WIRELESS STANDARDS: Bluetooth SIG Mesh
INPUT VOLTAGE: 120/277VAC
CONTROL OUTPUT: 0-10V
OPERATING TEMP: -40°F ~ +167°F (-40°C ~ +75°C)

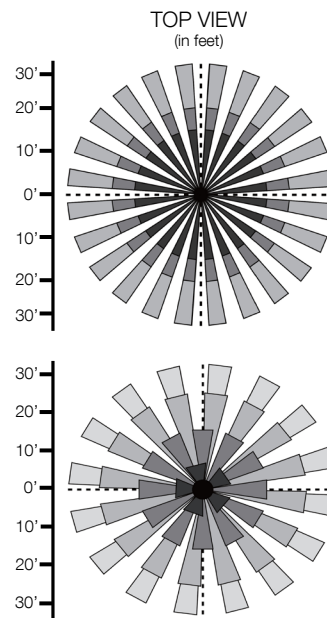
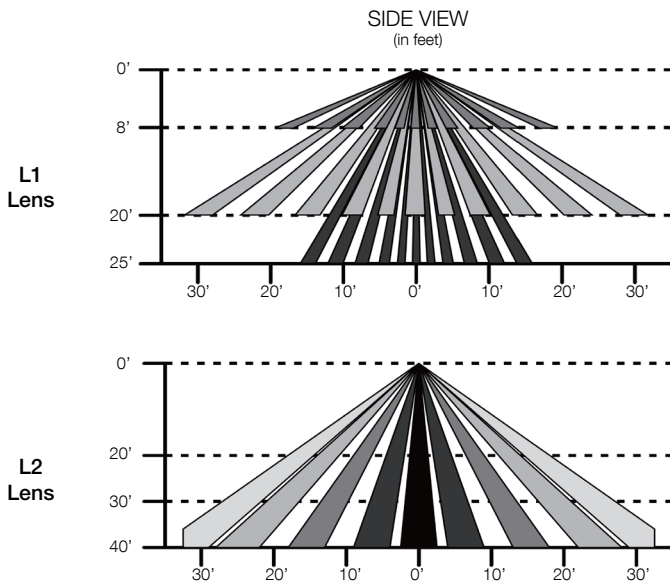
COMMISSIONING RANGE: 50FT
BLUETOOTH RANGE: Integral antenna up to 100FT
DETECTION ANGLE: Vertical 90° x Horizontal 360°
MOUNTING HEIGHT: 8 - 40FT
WARRANTY: 5 years
IP RATING: IP20 Damp

DIMENSIONS



L	W	H
3.19" (81mm)	4.02" (102mm)	1.70" (43.3mm)

COVERAGE PATTERNS



FEATURE

- **Installation:** Factory Install - Integral to Fixture
- **Commissioning:** Wirelessly through ALS Control Mobile App (iOS / Android)
- **Certification:** DLC 5.1 Networked Lighting Control System
- **Control:** Hold time, High-Low setting, continuous Bi-level dimming, Code-compliant manual-on or auto-off capability
- **Sensor:** Motion (Occupancy/Vacancy/Manual)
- **Room and Zone Control:** Zoning and Grouping control, Scheduling

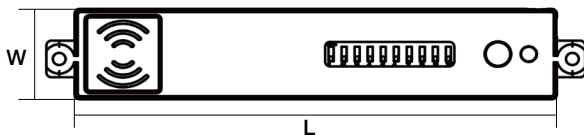


SPECIFICATIONS

SENSOR TYPE: Microwave
WIRELESS STANDARDS: Bluetooth SIG Mesh
INPUT VOLTAGE: 10-14VDC, >50mA
CONTROL OUTPUT: 0-10V
OPERATING TEMP: -40°F ~ +158°F (-40°C ~ +70°C)

COMMISSIONING RANGE: 50FT
BLUETOOTH RANGE: Integral antenna up to 164FT
DETECTION ANGLE: 360°
MOUNTING HEIGHT: Up to 13FT
WARRANTY: 5 years
IP RATING: IP20

DIMENSIONS



L	W
3.70" (94mm)	0.73" (18.5mm)

COVERAGE PATTERNS

