



WN SERIES SEMI-CUTOFF WALL PACK

Client:
Project:
Type:
Quantity:

CONSTRUCTION

Cast aluminum frame holds lens and seals to housing gasket with two stainless steel screws. Door assembly hinges to side, cast aluminum housing with three 1/2" conduit entries (on top and sides), for surface conduit. Suitable for applications requiring 3G testing prescribed by ANSI C136.31.

OPTICS

Polycarbonate lens softens LED image and provides uniform distribution and glare control.

ELECTRICAL

70+ CRI Lumileds LED.
-40°C up to 45°C (-40°F up to 113°F) maximum operating temperature.
150,000hr LED at L70 @ 25°C, 120,000hr LED at L70 @ 40°C.
Driver operates at 120-277V input, 50/60Hz, <20% THD, 0.9 power factor, 0-10V dimming.
Optional 10kV surge protector. Optional 347V / 480V Driver.
Optional Self-Diagnostic emergency back up.
Optional Self-Diagnostic Sub-Zero emergency back up.

SENSORS (OPTIONAL)

SENSOR-PH-PB-U Integral Button Style Photozell.
CONTROL-BLE-SK104-PH ALS Control Bluetooth Fixture Controller.

MOUNTING

Wall mount over electrical box or via surface conduit.

STANDARD FINISH

Corrosion resistant Dark Bronze powder coating finish.

CERTIFICATION

Wet Location listed.
Meets Buy America Act requirements.
Title 24 compliant; see local ordinance for qualification information.
For Emergency application, equipment with UL924 certified battery packs.
For Emergency application, equipped with UL924 certified battery packs.
DLC® Premium (DesignLights Consortium Qualified) listed.

WARRANTY

5 year warranty, see Limited Warranty for additional information.



SHIPPING DATA

Product	Measurement	Weight
WN-27	13"L x 8"W x 7"H	6 lb
WN-45	13"L x 8"W x 7"H	6 lb
WN-60	13"L x 8"W x 7"H	6 lb
WN-90	13"L x 8"W x 7"H	7 lb
WN-115	13"L x 8"W x 7"H	7 lb
WN-125	15"L x 8"W x 10"H	9 lb



WN SERIES SEMI-CUTOFF WALL PACK

ORDER INFORMATION **EXAMPLE: WN 80 50 DB UNVD**

Fixture	Series	Power & LM	CCT	Finish	Input
	WN		50	DB	

Accessories
Options

A SERIES

WN	Semi-Cutoff Wall Pack
-----------	-----------------------

B POWER & LM

CODE	POWER	LM
27	27W	3,450lm
45	45W	5,600lm
60	60W	7,800lm
90	90W	11,000lm
115	115W	14,500lm
125	125W	15,000lm

C CCT

50	5000K
-----------	-------

D FINISH

DB	Dark Bronze
-----------	-------------

E INPUT

UNVD	120-277V, 0-10V Dimming
HVLD	347-480V, 0-10V Dimming

G ACCESSORIES/OPTIONS

AIA	Assembled in America, compliant with BAA (COTS)
EMB-8W-B**	90-Minute Self-Diagnostic Emergency Battery 8W 100-347VAC Input 170VDC Output
EMB-18W-B**	90-Minute Self-Diagnostic Emergency Battery 18W 100-347VAC Input 170VDC Output
EMB-18W-C-B**	90-Minute Self-Diagnostic Emergency Battery 18W 100-347VAC Input 170VDC Output -20°C-50°C (-4°F-122°F)
SENSOR-PH-PB-U*	Integral Button Style Photocell
CONTROL-BLE-SK104-PH*	Integral Bluetooth Fixture Controller w/Button Photocell (ALS Control Mobile App)
SURGE-LSP4-U / H	10kV inline Surge Protection for Universal input / U: 120-277V, H: 347-480V
CONTROL-LVFA*	AVI-ON Bluetooth Mesh Control System

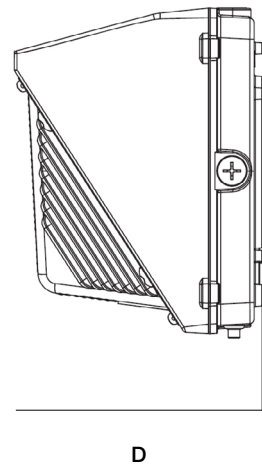
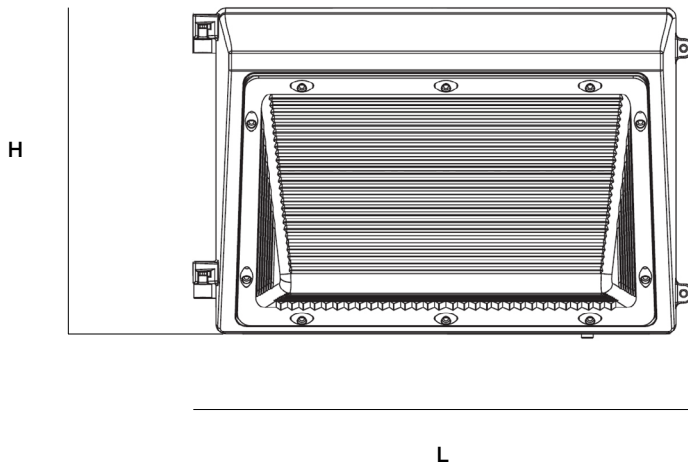
*see page 5 for sensor spec

**see page 6 for emb spec

WN SERIES SEMI-CUTOFF WALL PACK

DIMENSIONS

Model	H	L	D
WN-27 / 45 / 60 / 90 / 115	7.70" (196mm)	11.95" (303mm)	6.23" (158mm)
WN-125	9.25" (235mm)	14.20" (361mm)	7.08" (180mm)





WN SERIES SEMI-CUTOFF WALL PACK

PERFORMANCE DATA / DLC CODE

SYSTEM WATTS	CCT	VOLTAGE	LUMEN	LPW	QTY ON PALLET	PART NUMBER	DLC PRODUCT ID / ORDER CODE	DLC CLASS
WN-27	5000K	120-277V	3450	128	96	WN-2750-DBUNVD	PENDING	DLC 5.1 Premium
WN-45	5000K	120-277V	5600	124	96	WN-4550-DBUNVD	PENDING	DLC 5.1 Premium
WN-60	5000K	120-277V	7800	126	96	WN-6050-DBUNVD	PENDING	DLC 5.1 Premium
WN-90	5000K	120-277V	11000	122	96	WN-9050-DBUNVD	PENDING	DLC 5.1 Premium
WN-115	5000K	120-277V	14500	126	96	WN-11550-DBUNVD	PENDING	DLC 5.1 Premium
WN-125	5000K	120-277V	15000	126	96	WN-12550-DBUNVD	PENDING	DLC 5.1 Premium

WN SERIES SEMI-CUTOFF WALL PACK

SENSOR SPEC

Model	Type	Mounting	Coverage	Input	Function	Programmable
SENSOR-PH-PB-U	-	Integral	-	Universal	Dusk-to-Dawn Control	-
SENSOR-BLE-SK104-PH	Fixture Controller	Integral	-	Universal	Dusk-to-Dawn Control Bluetooth Mesh On/Off/Dimming Scheduling	ALS Control App
CONTROL-LVFA (see page 7 for detail)	Fixture Controller	Integral	-	12V DC	Bluetooth Mesh On/Off/Dimming Scheduling	AVI-ON Bluetooth Mobile App
CONTROL-BLE-SK104-PH (see page 8 for detail)	Fixture Controller	Integral	-	12VDC	Bluetooth Mesh On/Off/Dimming Scheduling CCT Tuning	ALS Control Bluetooth Mobile Control



SENSOR-PH-PB-U



CONTROL-BLE-SK104-PH

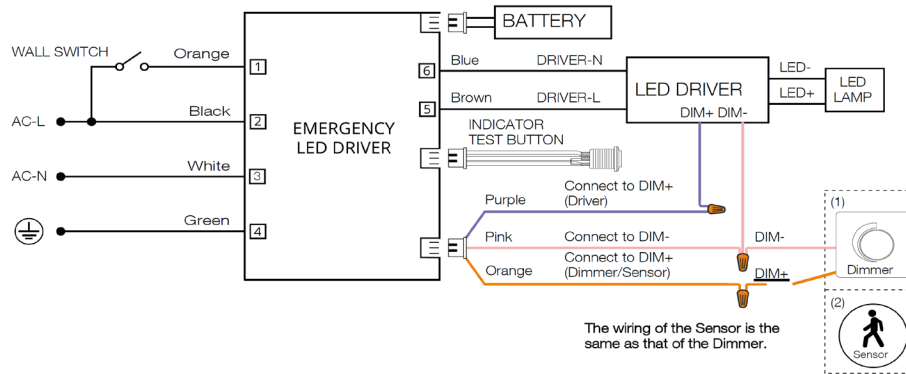


CONTROL-AVI-LVFA

WN SERIES SEMI-CUTOFF WALL PACK

EMB SPEC

Model	Battery Capacity	Input	Output	Output Power	Operating Temp	Installation
EMB-8W-B	90mins	100-347VAC	170VDC	8W	0°C ~ 50°C 32°F ~ 122°F	Factory or Field Install
EMB-18W-B	90mins	100-347VAC	170VDC	18W	0°C ~ 50°C 32°F ~ 122°F	Factory or Field Install
EMB-18W-C-B	90mins	100-347VAC	170VDC	18W	-20°C ~ 50°C -4°F ~ 122°F	Factory or Field Install



WN SERIES SEMI-CUTOFF WALL PACK

CONTROL-LVFA SPEC

Status LEDs & Config Button

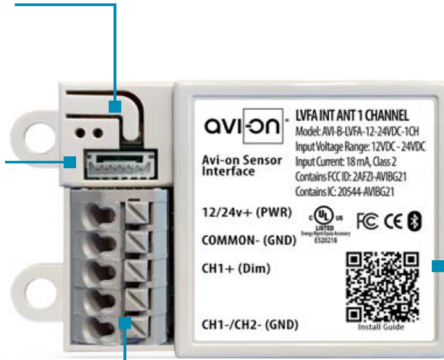
Quick and easy validation of wiring and network

Direct Connect™ Sensor Port

Simple and cost-effective addition to Avi-on sensors

Terminal Blocks & Mounting Tabs

Faster, easier and lower cost installation eliminating connectors



Internal Antenna

Improved performance and eliminates risk of accidentally cutting a hanging wire

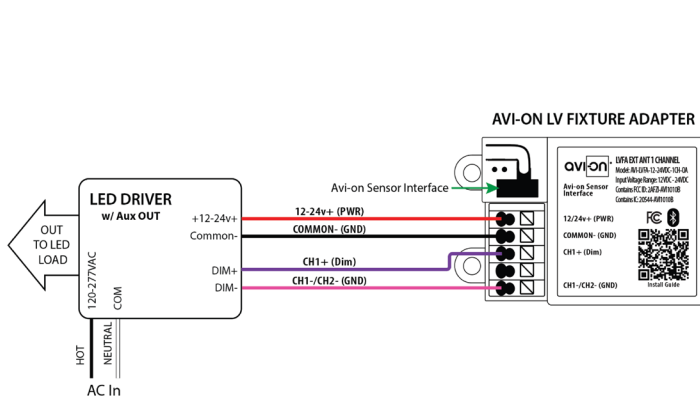
SPECIFICATIONS

INPUT VOLTAGE: 12-24VDC
CURRENT: 15mA without a Sensor
 19mA with a DC PIR Sensor
 48mA with a DC Microwave Sensor
0-10V DIMMING: 12-24VDC
SIZE: 2.30in x 1.43in x 0.75in
 (58.2mm x 36.4mm x 19mm)
MOUNTING: Removable mounting tabs
WEIGHT: 0.45 oz (16g)
OPERATING TEMP: -22°F to +158°F (-30°C to + 70°C)

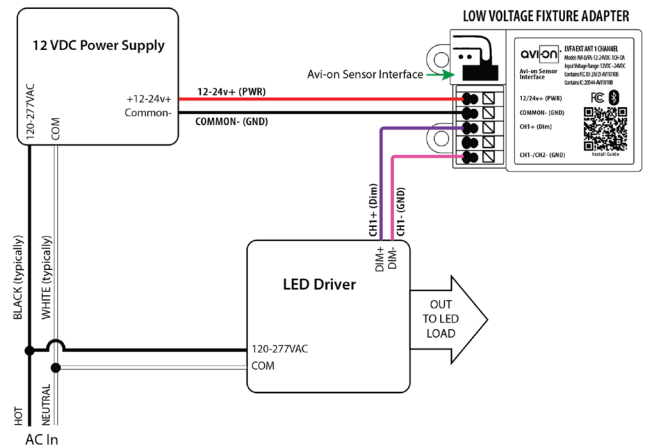
RADIO FREQUENCY: 2.4GHz
WIRELESS STANDARD: BLE 4.2 with Mesh
POINT TO POINT RANGE*: 80ft with obstructions
 350ft unobstructed
SECURITY: AES 128-bit encryption for device to device communication
 AES 256-bit encryption for device to cloud communication
WARRANTY: 5 years; 10 years optional
REGULATORY: FCC: 2AFZI-AVI1010 B
 IC: 20544-AVI1010 B
 BQB: D031801, DID: 86303
 UL 916, 2043 (Plenum Rated)

*When communicating through the mesh, range is essentially unlimited (5000ft+)

WIRING DIAGRAM



Fixture adapter powered by LED driver auxiliary output



Fixture adapter connected to LED driver and using power supply

FEATURE

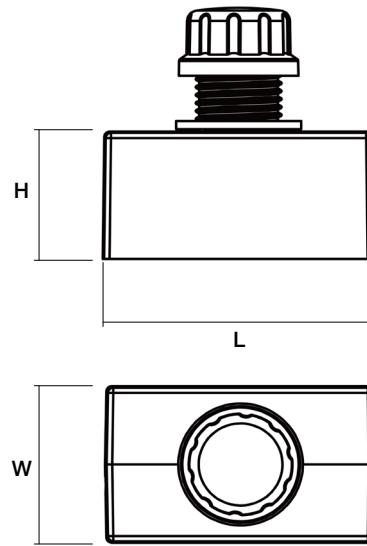
- **Installation:** Factory / Jobsite install through 1/2" knockout hole, 12V AUX power required
- **Commissioning:** Wirelessly through ALS Control Mobile App (iOS / Android)
- **Certification:** DLC 5.1 Networked Lighting Control System
- **Control:** High-End Trim, Zoning, Continuous Bi-level Dimming
- **CCT Tuning:** CCT Tuning feature for Dual/Multi-CCT LED board fixture only
- **Sensor:** Photocell
- **Zone Control:** Zoning and Grouping control, Scheduling



SPECIFICATIONS

SENSOR TYPE:	Photocell
WIRELESS STANDARDS:	5.0 Bluetooth Mesh
INPUT VOLTAGE:	12-14VDC, >50mA
CONTROL OUTPUT:	0-10V
OPERATING TEMP:	-40°F ~ +158°F (-40°C ~ +70°C)
COMMISSIONING RANGE:	50FT
BLUETOOTH RANGE:	100FT
DETECTION ANGLE:	360°
WARRANTY:	5 years
IP RATING:	IP65

DIMENSIONS



L	H	W
1.14" (29mm)	0.94" (24mm)	1.97" (50mm)

WIRING DIAGRAM

