

EL-C SERIES ARCHITECTURAL EMERGENCY LIGHT

Client:
 Project:
 Type:
 Quantity:

CONSTRUCTION

Constructed from injection-molded rectangular face plate and trim.
 Industrial-grade material, 5VA flame retardant thermoplastic.

OPTICS

2 x 15° Tilttable ultra bright LED module.

ELECTRICAL

CRI 70 Static 5000K CCT
 1200lm Output, 2 x 3W LED module (170lm/W), total 7W consumption.
 120-277V input.
 LiFePO4 6.4V 4000mAh battery, 24hr for full charge at initial use or on depleted battery.
 0°C up to 50°C (32°F up to 122°F) maximum operating temperature.
 Designed for an expected life of 100,000 hours.
 Optional Self-Diagnostic battery.

MOUNTING

Suitable for Recessed mount to drywall, drop ceiling.
 Optional Surface mount enclosure with 4-side 1/2 conduit entires.

STANDARD FINISH

White Finish

CERTIFICATION

UL-94V-0 Flame Rating.
 NFPA 101 Life Safety Code approved.
 All luminaires are built to UL924 standards and bear appropriate cETLus labels.

WARRANTY

5 year warranty, see Limited Warranty for additional information.



T-Bar Kit for Recessed Application



Surface Mount Enclosure for Surface Mount Application

SHIPPING DATA

Product	Measurement	Weight
EL-C-R-REC	16”L x 10”W x 6”H	4 lb
EL-C-R-SM	12”L x 7”W x 4”H	3 lb



EL-C SERIES ARCHITECTURAL EMERGENCY LIGHT

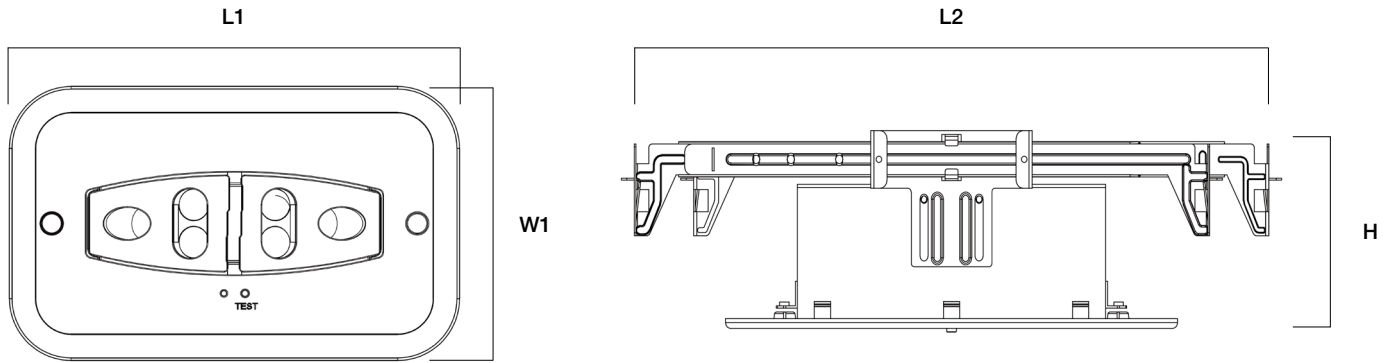
ORDER INFORMATION					EXAMPLE: EL-C R REC WH EM	
Fixture	Series	Trim	Mounting	Finish	Input	Options
	EL-C	R				
A	SERIES					
	EL-C	Architectural Emergency Lights				
B	TRIM					
	Code	Shape				
	R	Rectangular shape trim				
C	MOUNTING					
	REC	Recessed Mount, w/adjustable bracket up to 24" span				
	SM	Surface Mounted, 2" tall surface mount enclosure				
D	FINISH					
	BK	Black				
	WH	White				
E	INPUT					
	EM	120-277V Input 90min LiFePO4 6.4V 4000mAh Battery				
	EMS*	120-277V Input 90min LiFePO4 6.4V 4000mAh Self-Diagnostic Battery				
		*Self-Diagnostic Schedule: Monthly: 3 mins every 30days / Yearly: 90mins every 365 days				
F	ACCESSORIES/OPTIONS					
	BAA	Assembled in America, compliant with BAA (COTS)				

EL-C SERIES ARCHITECTURAL EMERGENCY LIGHT

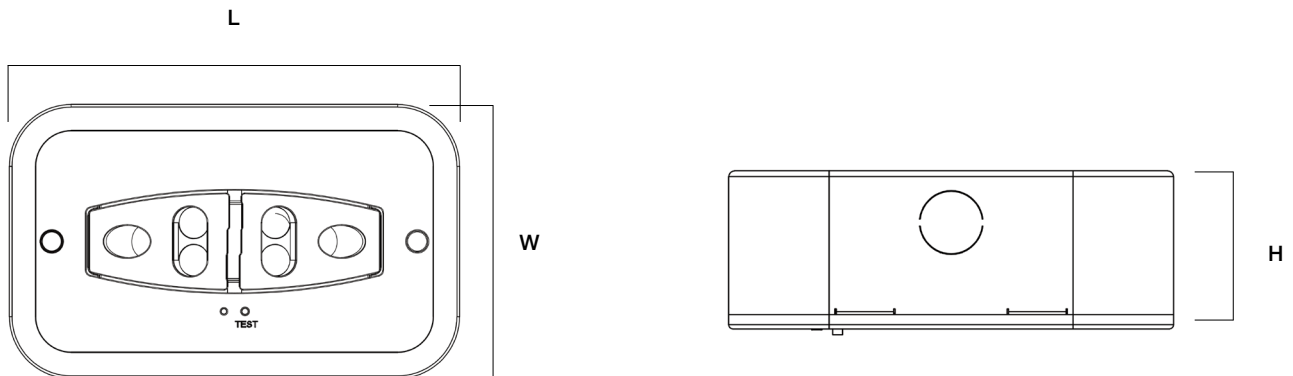
DIMENSIONS

Series	L1	L2	W	H
EL-C-R-REC	10.00" (280mm)	Width Adjustable Bracket Up to 24.00" (610mm)	6.10" (155mm)	Height Adjustable Up to 3.60" (92mm)
EL-C-R-SM	10.00" (280mm)	-	6.10" (155mm)	2.10" (55mm)

Recessed w/Bracket (REC)



Surface Mounted w/Surface Mount Enclosure (SM)



EL-C SERIES ARCHITECTURAL EMERGENCY LIGHT

OPERATING GUIDE

Manual Testing Procedure

Test Button Operation	Function
Press once within 2 seconds	Run 10 seconds duration test
Press twice within 2 seconds	Run 30 seconds duration test
Press three-times within 2 seconds	Run 90 minutes duration test
Press once and then press again (time gap >2 seconds)	Light turned off Indicator will turn green and back to charging mode
Under emergency mode. Long press the test button for >3 seconds	Turn off
Note: Normal AC & battery must be connected for manual testing.	

Indicator Light

Green Indicator	Function
Slow flash	Discharging / Emergency mode
Solid green	Charging battery / Normal AC
Indicator light off	Battery is fully charged / Normal AC
Fast flashing	Failure / Require troubleshooting
Note: When the fault is cleared, press & hold the test button for 2 seconds, the indicator light will turn green and clear fault signal from system.	