

SPG SERIES MULTI-SPORT

Client:
 Project:
 Type:
 Quantity:

CONSTRUCTION

Single-piece die-cast aluminum modular housing, dynamic thermal management design that maximizes heat dissipation, substantially increasing life of the luminaire. Available with single, duo or trio-module configuration to meet various project requirements. Low wind-load design, light weight, EPA friendly.

OPTICS

Precisely engineered optics aim light to uniformly illuminate the field Available with 20, 30, 60, 90 Degree and NEMA 6H x 4V distribution. Maximum delivered lumen up to 51,200LM. Optional light shield for glare control and prevent light spill.

ELECTRICAL

-40°C minimum to +50°C maximum operating temperature. Standard 120-277V Universal input 0-10V Dimming driver. RoHS compliant electronic Class I drivers expected life of 100,000 hours <1% failure rate, >.9 power factor, <20% total harmonic distortion. Optional 10kV surge protector. Optional 347-480V input 0-10V Dimming driver.

CONTROL (OPTIONAL)

CONTROL-AVI-ON Bluetooth Mesh Controller. Synapse Wireless ProFX Lighting Control System

MOUNTING

Standard equipped with 30° tiltable trunnion mount (TR) for surface mount application. Optional slipfitter for 2-3/8" tenon (SF)

STANDARD FINISH

Black UV stabilized polyester powder paint finish. Optional Corrosion Resistant Package (CRP): Stainless steel bracket and fasteners, housing treated with E-coating and corrosion resistant paint.

CERTIFICATION

Meets Buy America Act requirements. IP66 Wet location label standard. ANSI C136.31-2018 3G Vibration Tested. All luminaires are built to UL1598 standards and bear appropriate cETLus labels. DLC® Premium (DesignLights Consortium Qualified).

WARRANTY

5 year warranty, see Limited Warranty for additional information.



SPG-320



SPG-240 w/SHIELD



SPG-240 w/SF Mount

SHIPPING DATA

Product	Measurement	Weight
SPG-240	15"L x 11"W x 8"H	15 lb
SPG-320	28"L x 11"W x 8"H	20 lb



SPG SERIES MULTI-SPORT

ORDER INFORMATION			EXAMPLE: SPG 240 40 60 BK UNVD			
Fixture	Series	Power & LM	CCT	Distribution	Finish	Input
	SPG					
Mounting						
Accessories						
Options						
A	SERIES					
	SPG	Multi-Sport Luminaire				
B	POWER & LM					
	Code	Power	LPW (Avg.)			
	240	240W, 38,400LM	160			
	320	320W, 51,200LM	160			
C	CCT					
	40	4000K				
	50	5000K				
D	DISTRIBUTION					
	20	20°	90	90°		
	30	30°	N64	100° H x 60° V		
	60	60°				
E	FINISH					
	BK	Black Finish				
	BK-CRP	Corrosion Resistant Package: Stainless Steel bracket & fasteners, housing treated with E-coating and corrosion resistant paint				
F	INPUT					
	UNVD	100-277V input, 1-10V dimmable	HVLD	347-480V input, 1-10V dimmable		
G	MOUNTING					
	TR	Standard 30° Tiltable Trunnion Mount				
	TR70	70° Tiltable Trunnion Mount				
	MOUNT-SF	Slipfitter				
H	ACCESSORIES/OPTIONS					
	BAA	Assembled in America, compliant with BAA (COTS)				
	SHIELD-SPG-A-BK	2-Piece Glare Shield (front and back) for SPG-240 model (Shield tiltable up to 60DEG)				
	SHIELD-SPG-B-BK	2-Piece Glare Shield (front and back) for SPG-320 model (Shield tiltable up to 60DEG)				
	LASER-SPQ	Laser Pointer for Aiming Purpose				
	SURGE-LSP4-U / H	10kV inline Surge Protection for Universal input / U : 120-277V, H : 480V input				
	CONTROL-LVFA*	AVI-ON Bluetooth Mesh Control System				
	SYNAPSE	Synapse Wireless ProFX Lighting Control System (Consult factory)				

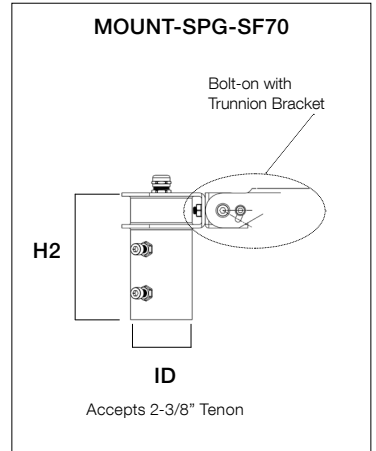
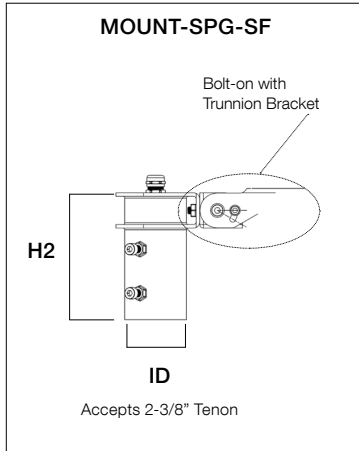
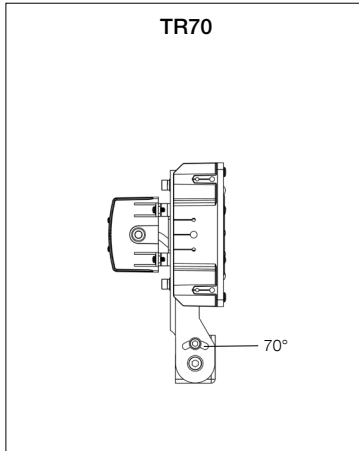
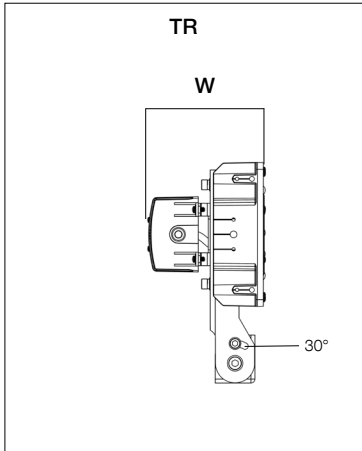
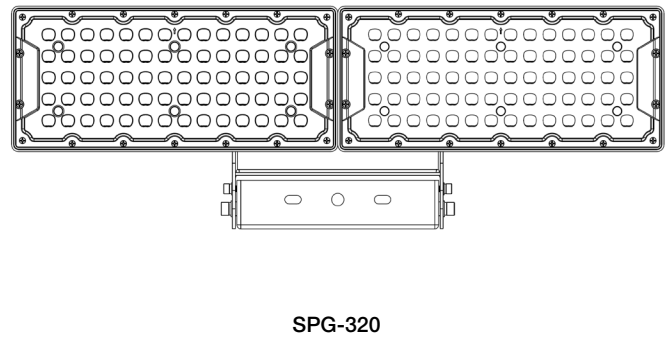
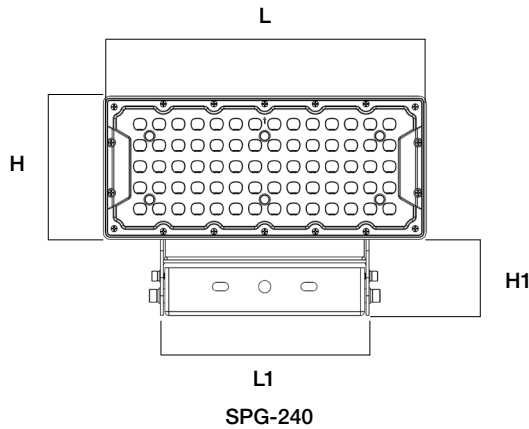
*see page 4 for CONTROL spec

SPG SERIES MULTI-SPORT

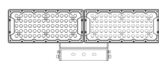
DIMENSIONS

Model	Module	L	L1	H	H1	W	H2	ID
SPG-240	1	12.91" (328mm)	-	5.73" (146mm)	-	4.62" (117mm)	-	-
SPG-320	2	21.75" (553mm)	-	5.73" (146mm)	-	4.62" (117mm)	-	-
TR / TR70	-	-	8.35" (212mm)	-	3.04" (77mm)	-	-	-
SF / SF70	-	-	-	-	-	-	6.32" (160mm)	Ø 2.48" (63mm)

Attach to Trunnion Mount



EPA



Trunnion

Trunnion

SPG-150/200/240

0.513

SPG-320

0.865

SPG SERIES MULTI-SPORT

CONTROL SPEC

Model	Type	Mounting	Coverage	Input	Function	Programmable
CONTROL-LVFA (see page 5 for detail)	Fixture Controller	-	-	12V DC	Bluetooth Mesh On/Off/Dimming Scheduling	AVI-ON Bluetooth Mobile App



CONTROL-LVFA

SPG SERIES MULTI-SPORT

CONTROL-LVFA SPEC

Status LEDs & Config Button

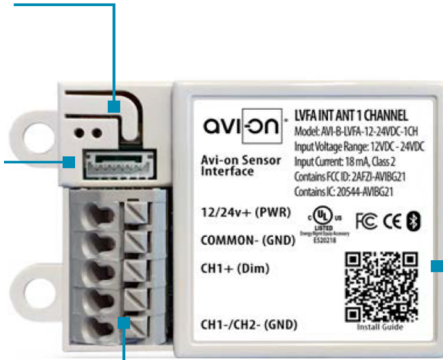
Quick and easy validation of wiring and network

Direct Connect™ Sensor Port

Simple and cost-effective addition to Avi-on sensors

Terminal Blocks & Mounting Tabs

Faster, easier and lower cost installation eliminating connectors



Internal Antenna

Improved performance and eliminates risk of accidentally cutting a hanging wire

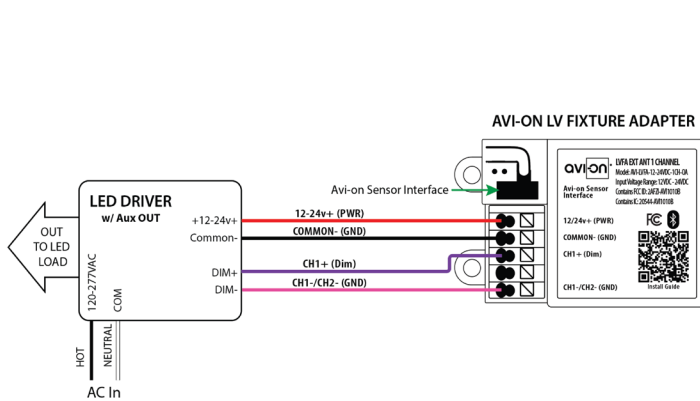
SPECIFICATIONS

INPUT VOLTAGE: 12-24VDC
CURRENT: 15mA without a Sensor
 19mA with a DC PIR Sensor
 48mA with a DC Microwave Sensor
0-10V DIMMING: 12-24VDC
SIZE: 2.30in x 1.43in x 0.75in
 (58.2mm x 36.4mm x 19mm)
MOUNTING: Removable mounting tabs
WEIGHT: 0.45 oz (16g)
OPERATING TEMP: -22°F to +158°F (-30°C to + 70°C)

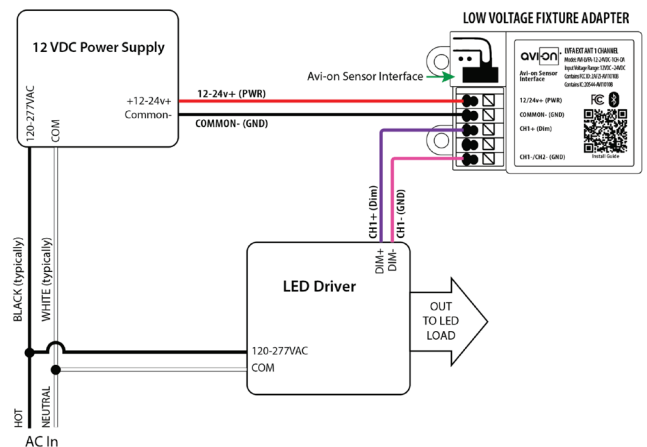
RADIO FREQUENCY: 2.4GHz
WIRELESS STANDARD: BLE 4.2 with Mesh
POINT TO POINT RANGE*: 80ft with obstructions
 350ft unobstructed
SECURITY: AES 128-bit encryption for device to device communication
 AES 256-bit encryption for device to cloud communication
WARRANTY: 5 years; 10 years optional
REGULATORY: FCC: 2AFZI-AVI1010 B
 IC: 20544-AVI1010 B
 BQB: D031801, DID: 86303
 UL 916, 2043 (Plenum Rated)

*When communicating through the mesh, range is essentially unlimited (5000ft+)

WIRING DIAGRAM



Fixture adapter powered by LED driver auxiliary output



Fixture adapter connected to LED driver and using power supply