



# DLA-G2 SERIES WET LOCATION DOWNLIGHT

Client:  
Project:  
Type:  
Quantity:

### CONSTRUCTION

Die-cast aluminum body, available in 4", 6", 8" & 10" aperture. Entire luminaire as heat dissipation system, designed for general illumination application for long life and service period.  
IC rated for direct contact with insulation.

### OPTICS

Impact resistant diffuse polycarbonate lens, gasketed and sealed prevents splash of water or dust objects from entry.

### ELECTRICAL

90+ CRI LEDs.  
120-277V Input, 0-10V dimming.  
CCT and Lumen Selectable Function.  
Greater than 70% LED lumen maintenance at 50,000 hours.  
Optional External Emergency Battery 120-277V Input.

### CONTROL (OPTIONAL)

CONTROL-XFAC AVI-ON Bluetooth Zone Controller Adapter

### MOUNTING

New Construction: Flat torsion spring clips design to hold luminaire in place without using a housing.  
New Construction: Mounting Frame available.  
12" Flex conduit came with fixture for easy wiring with j-box.

### STANDARD FINISH

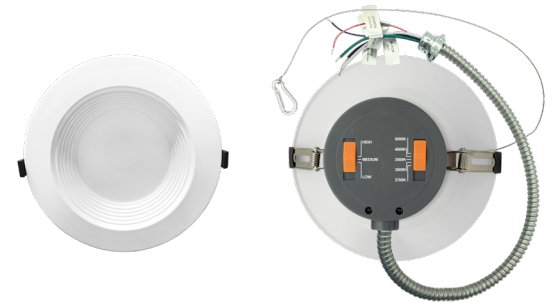
Corrosion resistant matte White finish.

### CERTIFICATION

Wet location standard.  
Meets Buy America Act requirements.  
All luminaires are built to UL1598 standards and bear appropriate cETLus labels.  
Energy Star Certified.  
California JA8, Title 24 Compliant

### WARRANTY

5 year warranty, see Limited Warranty for additional information.



CCT / Lumen Selector

### SHIPPING DATA

Product	Measurement	Weight
DLA-G2-4	6"L x 6"W x 4"H	2 lb
DLA-G2-6	9"L x 9"W x 5"H	2 lb
DLA-G2-8	11"L x 11"W x 5"H	3 lb
DLA-G2-10	12"L x 12"W x 6"H	4 lb



**DLA-G2 SERIES WET LOCATION DOWNLIGHT**

**ORDER INFORMATION** **EXAMPLE : DLA-G2 6 WH UD**

<b>Fixture</b>	<b>Series</b>	<b>Model</b>	<b>Finish</b>	<b>Input</b>
	<b>DLA-G2</b>		<b>WH</b>	<b>UD</b>

Accessories  
Options

**A SERIES**

<b>DLA-G2</b>	DLA Gen 2 Wet location Downlight
---------------	----------------------------------

**B MODEL**

Code	Trim Type	Power	LM	CCT
<b>4</b>	4-inch Trim	6W / 9W / 12W	628 / 893 / 1159	2700 / 3000 / 3500 / 4000 / 5000K
<b>6</b>	6-inch Trim	12W / 17W / 22W	1296 / 1694 / 2194	2700 / 3000 / 3500 / 4000 / 5000K
<b>8</b>	8-inch Trim	17W / 24W / 30W	1871 / 2621 / 3273	2700 / 3000 / 3500 / 4000 / 5000K
<b>10</b>	10-inch Trim	22W / 30W / 38W	2356 / 3141 / 3892	2700 / 3000 / 3500 / 4000 / 5000K

**C FINISH**

<b>WH</b>	Smooth White finish
-----------	---------------------

**D INPUT**

<b>UD</b>	120-277V, 0-10V Dimmable
-----------	--------------------------

**E ACCESSORIES/OPTIONS**

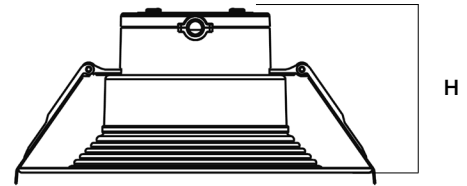
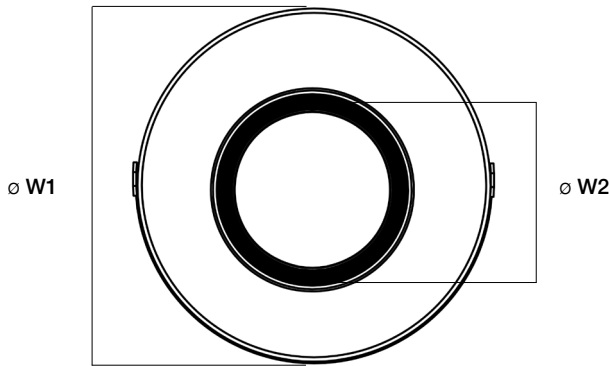
<b>BAA</b>	Assembled in America, compliant with BAA (COTS)
<b>EMB-E08170*</b>	90-Minute Self-Diagnostic Emergency Battery 8W 100-347VAC Input 170VDC Output w/Enclosure
<b>MOUNT-NCR-G2-JB</b>	Mounting Frame Plate w/ J-Box
<b>CONTROL-XFAC*</b>	AVI-ON Bluetooth Zone Controller Adapter

\*see page 5 for sensor and emb spec

**DLA-G2 SERIES WET LOCATION DOWNLIGHT**

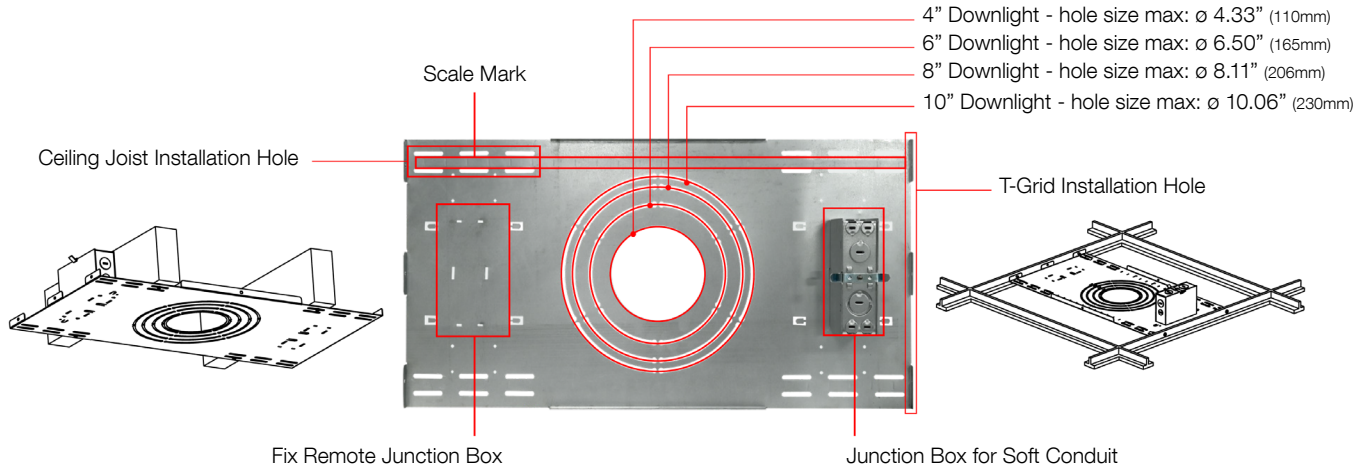
**DIMENSIONS**

MODEL	W1	W2	H	CUTOUT
DLA-G2-4	ø 5.12" (ø130mm)	ø 2.99" (ø76mm)	3.62" (92mm)	ø 4-21/64" (ø110mm)
DLA-G2-6	ø 8.43" (ø214mm)	ø 4.76" (ø121mm)	4.56" (116mm)	ø 6-19/64" (ø160mm)
DLA-G2-8	ø 10.00" (ø255mm)	ø 5.06" (ø129mm)	4.93" (126mm)	ø 8-5/64" (ø205mm)
DLA-G2-10	ø 11.38" (ø289mm)	ø 5.74" (ø146mm)	5.29" (135mm)	ø 8-31/32" (ø228mm)

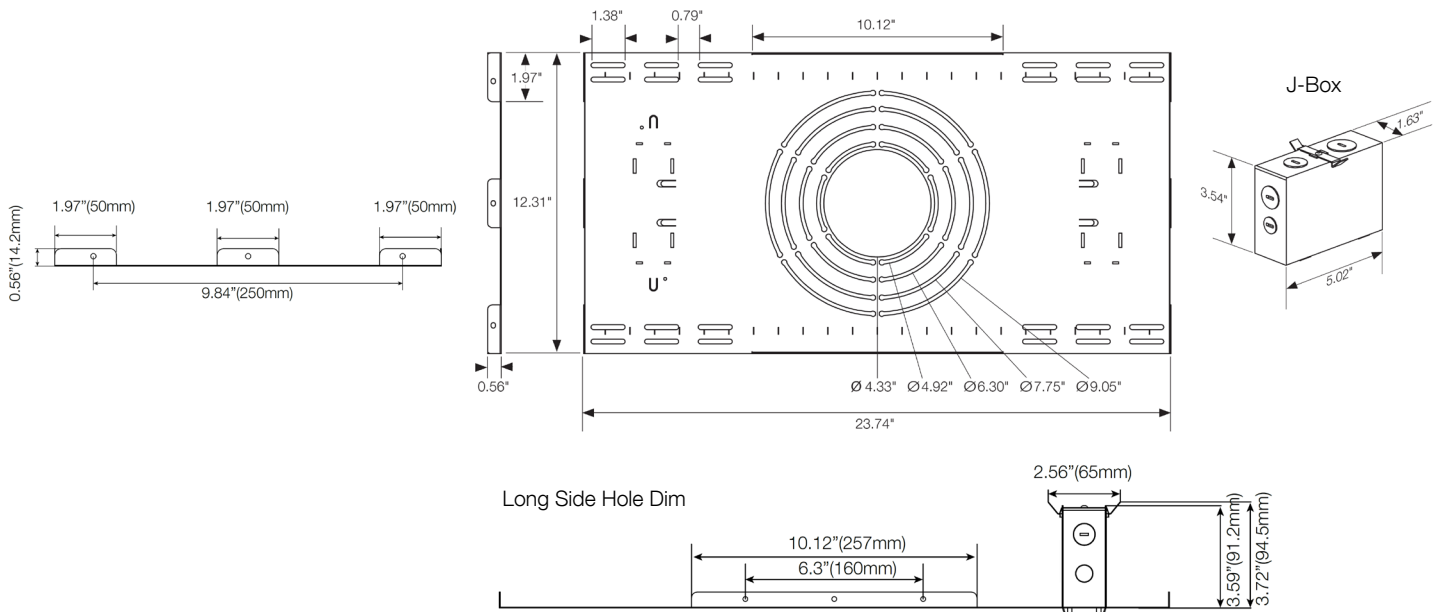


**DLA-G2 SERIES WET LOCATION DOWNLIGHT**

**DIMENSIONS - OPTIONAL MOUNTING FRAME KIT**



**MOUNT-NCR-G2-JB - Round Trim Mounting Frame Kit w/ J-Box**



**DLA-G2 SERIES WET LOCATION DOWNLIGHT**

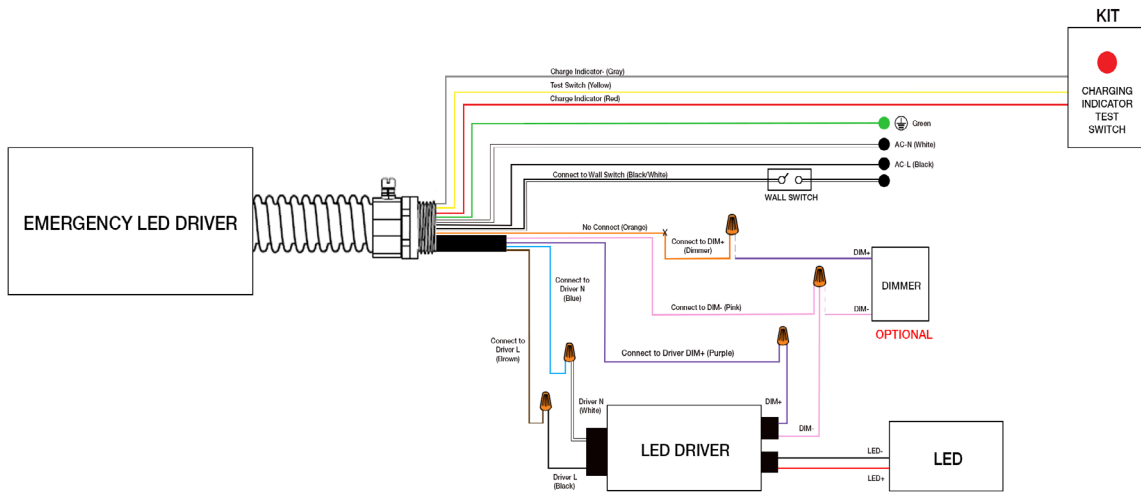
**PERFORMANCE DATA**

MODEL	VOLTAGE	WATTAGE	2700K		3000K		3500K		4000K		5000K	
			LUMENS	LPW	LUMENS	LPW	LUMENS	LPW	LUMENS	LPW	LUMENS	LPW
DLA-G2-4	110-277V	6W	705	118	725	121	735	123	748	125	746	124
	110-277V	9W	961	107	994	110	1019	113	1015	113	1009	112
	110-277V	12W	1196	100	1244	104	1267	106	1286	107	1279	107
DLA-G2-6	110-277V	12W	1241	103	1301	108	1336	111	1354	113	1340	112
	110-277V	17W	1721	101	1820	107	1879	111	1894	111	1820	107
	110-277V	22W	2104	96	2249	102	2334	106	2349	107	2247	102
DLA-G2-8	110-277V	17W	1860	109	1927	113	1982	117	2000	118	1956	115
	110-277V	24W	2460	103	2568	107	2657	111	2672	111	2576	107
	110-277V	30W	2906	97	3054	102	3199	107	3271	109	3103	103
DLA-G2-10	110-277V	22W	3105	141	2409	110	2619	119	2804	127	2918	133
	110-277V	30W	3643	121	3641	121	3782	126	3823	127	4481	149
	110-277V	38W	4139	109	4481	118	4504	119	4668	123	4668	123

**DLA-G2 SERIES WET LOCATION DOWNLIGHT**

**EMB SPEC**

Model	Battery Capacity	Input	Output	Output Power	Operating Temp	Installation
EMB-E08170	90mins	100-347VAC	170VDC	8W	0°C ~ 50°C 32°F ~ 122°F	Field Install



**CONTROL SPEC**

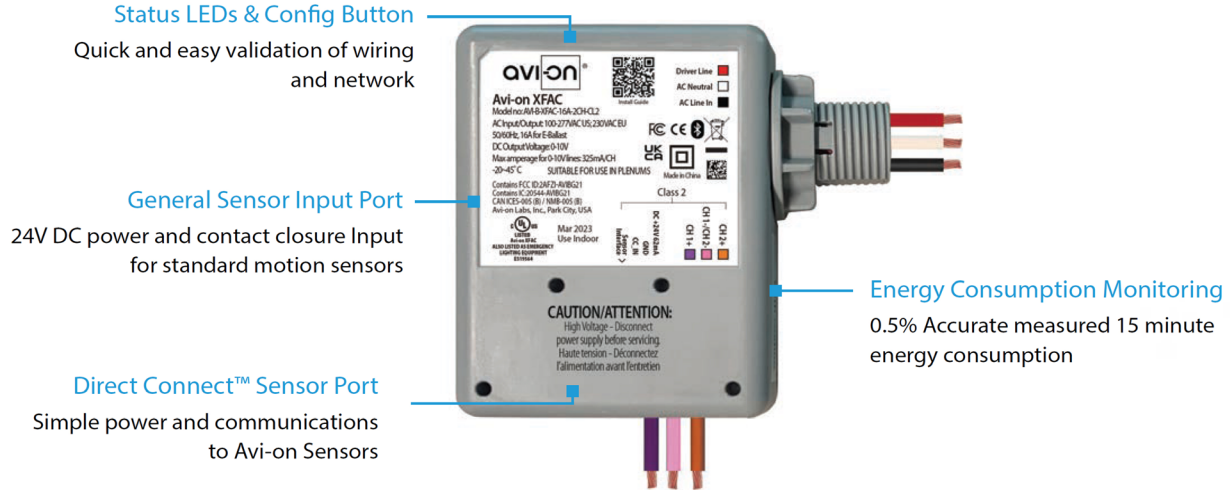
Model	Type	Mounting	Coverage	Input	Function	Programmable
CONTROL-XFAC (see page 6 for detail)	Fixture Controller	-	-	100-277VAC	Bluetooth On/Off/Dimming Scheduling	AVI-ON Bluetooth Mobile App



CONTROL-XFAC

**DLA-G2 SERIES WET LOCATION DOWNLIGHT**

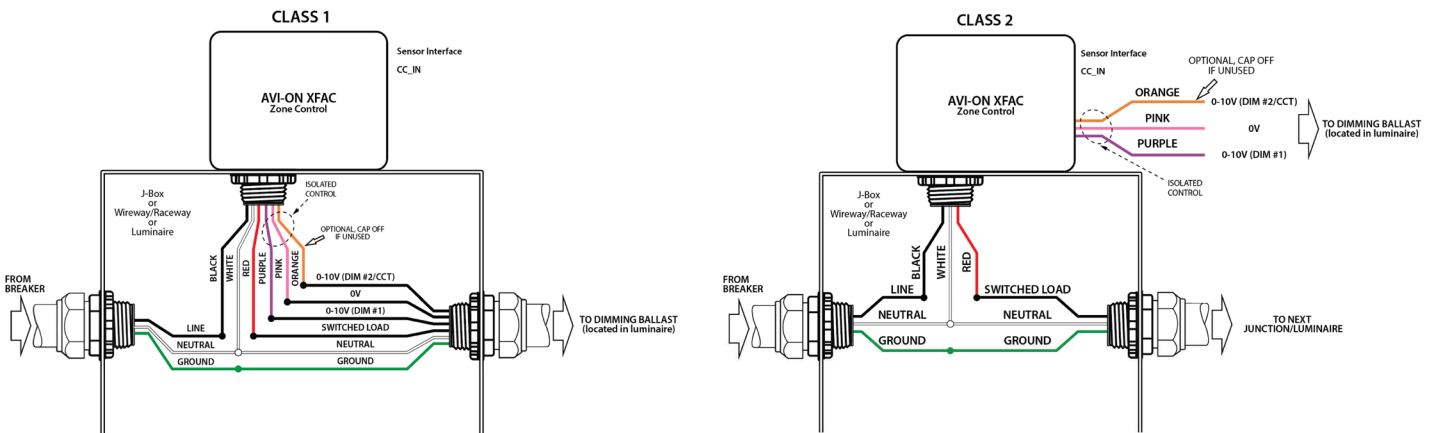
**CONTROL-XFAC SPEC**



**SPECIFICATIONS**

<b>INPUT VOLTAGE:</b>	100-277VAC	<b>RADIO FREQUENCY:</b>	50/60Hz
<b>CURRENT:</b>	MIN: 20 / 14mA MAX: 81 / 46mA	<b>RELAY CURRENT:</b>	16A
<b>0-10V DIMMING:</b>	100-277VAC	<b>PROTECTION/IMMUNITY:</b>	LEVEL 4
<b>SIZE:</b>	3.58" x 3.58" x 1.57" (91mm x 91mm x 40mm)	<b>AMPERAGE FOR 0-10V LINES:</b>	Contact Discharge: ± 8kV Air Discharge: ±12kV 325mA / CH
<b>STORAGE TEMP:</b>	-40°F to + 185°F (-40°C to + 85°C)	<b>WARRANTY:</b>	5 years
<b>OPERATING TEMP:</b>	-4°F to + 113°F (-20°C to + 45°C)	<b>REGULATORY:</b>	FCC: 2AFZI-AVIBG21 IC: 20544-AVBG21 BQB: D059595, DID: 185220 UL 924, 2043

**WIRING DIAGRAM**



## DLA-G2 SERIES WET LOCATION DOWNLIGHT

### DRIVER SPECIFICATION

#### Driver Spec

- Driver Type: Potted Instant Start Driver
- Input: 100 - 305Vac
- Input Frequency: 47Hz @ 100Vac / 50Hz @ 277V / 63Hz @ 305Vac
- Input Current: 0.3A @ Full Load
- Surge Protection: L-N 1KV, LN-G 2KV
- Output Voltage: 48~61Vdc
- Output Current: 0.30A ~ 0.35A / 0.42 ~ 0.47A / 0.57A ~ 0.62A
- Power Factor: 0.98 @ 100Vac / 0.95 @ 277V / 0.9 @ 305Vac
- THD: <20% MAX
- Dimming: 0-10V Dim to Off
- AUX Output: 12Vdc
- Operating Temp: -20°C ~ 50°C
- Operating Humidity: 20% ~ 95% RH Non-Condensing

