



## PTL SERIES DECORATIVE POST TOP

Client:  
Project:  
Type:  
Quantity:

### CONSTRUCTION

HOUSING + COVER: Hinged die-cast aluminum housing and cover with cupola.  
EPA: 2.015

### OPTICS

Injection-molded polycarbonated optic lens available with Type III and V distribution.  
Frosted temper glass allows clarity and resistance to the gradual discoloration that results from exposure to sunlight.

### ELECTRICAL

80+ CRI Lumileds available for 5000K CCT.  
Optional CCT Selectable model available - see Ordering Information.  
-40°C up to 45°C\* (-40°F up to 113°F) maximum operating temperature.  
L70 @ 105C > 60,000hrs | L70 @ 40C >200,000hrs.  
50/60Hz, <20% THD, 0.9 power factor.  
Driver operates at 120-277V input, 0-10V dimmable driver.  
Optional 347/480V input.

### SENSOR (OPTIONAL)

SENSOR-PH-PT-U/UD/HD Twist lock dimming/non-dimming photocontrol.

### MOUNTING

Self-aligning pole-top fitter fits 2-3/8" O.D. pole tops or vertical tenons.  
Optional 3", 4" and 5" tenon adapter.

### STANDARD FINISH

Corrosion resistant Black powder coating finish.

### CUSTOM FINISH

Corrosion resistant Dark Bronze, Graphite Metallic, Gray, Silver, White, Custom RAL#

### CERTIFICATION

IP65 Wet location label standard.  
Meets Buy America Act requirements.  
IDA compliant: with 3000K color temperature selection.  
All luminaires are built to UL1598 standards and bear appropriate cETLus labels.  
DLC® (DesignLights Consortium Qualified).

### WARRANTY

5 year warranty, see Limited Warranty for additional information.



PTL w/Optional Twist Lock Photocell



### SHIPPING DATA

Product	Measurement	Weight
PTL-30	16"L x 16"W x 20"H	28 lb
PTL-60	16"L x 16"W x 20"H	28 lb
PTL-120	16"L x 16"W x 20"H	30 lb



**PTL SERIES DECORATIVE POST TOP**

**ORDER INFORMATION** **EXAMPLE: PTL 60 SC T5 SF3 BK UD**

Fixture	Series	Power & LM	CCT	Distribution	Mounting	Finish	Input
	<b>PTL</b>			<b>5M</b>	<b>SF3</b>		<b>UD</b>

Accessories  
Options

**A SERIES**

**PTL** Decorative Post Top

**B POWER & LM**

Code	Power	LM
<b>120</b>	120W	13,800

**B POWER & LM**

Code	Power	LM
<b>30</b>	30W	3,300
<b>60</b>	60W	6,600

**C CCT**

<b>40</b>	4000K
<b>50</b>	5000K

**C CCT**

**SC** Selectable 3000K / 4000K / 5000K

**D DISTRIBUTION**

<b>3M</b>	Type III Medium
<b>5M</b>	Type V Medium

**E MOUNTING**

**SF3** Self-aligning pole-top fitter fits 2-3/8" ~ 3" O.D.

**F FINISH**

Standard

**BK** Black

Custom Color

<b>CC</b>	<b>DB</b> Dark Bronze	<b>GM</b> Graphite Metallic	<b>GR</b> Gray
	<b>SV</b> Silver	<b>WH</b> White	<b>RAL#</b>

**G INPUT**

<b>UD</b>	110-277V, 0-10V Dimmable	<b>HD</b>	347/480V, 1-10V Dimming
-----------	--------------------------	-----------	-------------------------

**H ACCESSORIES/OPTIONS**

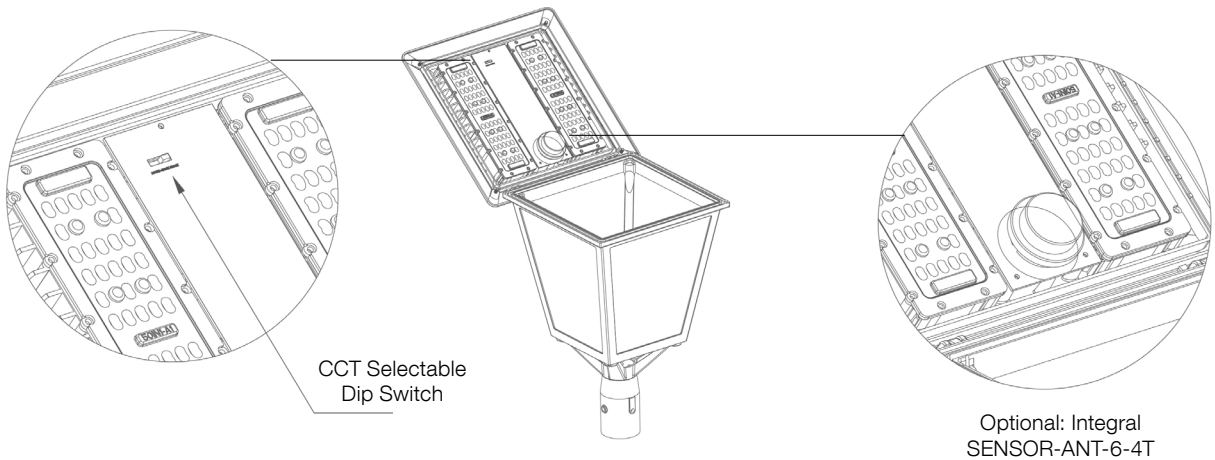
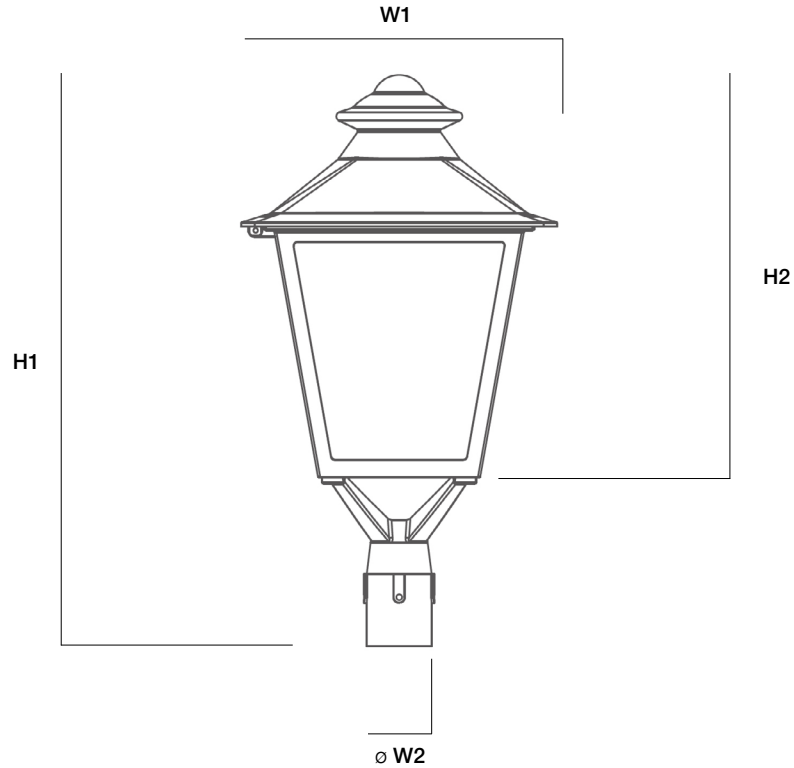
<b>BAA</b>	Assembled in America, compliant with BAA (COTS)
<b>SENSOR-PH-PT-U / UD / HD*</b>	Twist Lock Photocell / <b>U:</b> 120-277V, <b>UD:</b> 120-277V, <b>HD:</b> 480V input
<b>SURGE-LSP4-U / H</b>	10kV inline Surge Protection for Universal input / <b>U:</b> 120-277V, <b>H:</b> 480V input
<b>MOUNT-4SQR-SP-D</b>	4" Tenon Adapter for Round Pole
<b>MOUNT-5SQR-SP-D</b>	5" Tenon Adapter for Round Pole
<b>MOUNT-4SQ-SP-D</b>	4" Tenon Adapter for Square Pole
<b>MOUNT-5SQ-SP-D</b>	5" Tenon Adapter for Square Pole

\*see page 4 for sensor spec

**PTL SERIES DECORATIVE POST TOP**

**DIMENSIONS**

Model	H1	H2	W1	W2
PTL-30 / 60 / 120	24.90" (643mm)	17.55" (445mm)	13.78" (350mm)	ø 3.18" I.D. (76mm)



**PTL SERIES DECORATIVE POST TOP**

**DLC CODE**

Part Number	DLC Product ID	DLC Class
PTL-30 SC XX SF3 XX UNVD @ 3000K	OEM SKU# YR-TP350-W30-[P1;P2;M;PM;PN]-C3-[Z1;Z2](3000K) DLC Code: PX1SNM90	Standard
PTL-30 SC XX SF3 XX UNVD @ 4000K	OEM SKU# YR-TP350-W30-[P1;P2;M;PM;PN]-C3-[Z1;Z2](4000K) DLC Code: P0HABEIP	Standard
PTL-30 SC XX SF3 XX UNVD @ 5000K	OEM SKU# YR-TP350-W30-[P1;P2;M;PM;PN]-C3-[Z1;Z2](5000K) DLC Code: PCDUUTPD	Standard
PTL-60 SC XX SF3 XX UNVD @ 3000K	OEM SKU# YR-TP350-W60-[P1;P2;M;PM;PN]-C3-[Z1;Z2](3000K) DLC Code: PSD6ZU04	Standard
PTL-60 SC XX SF3 XX UNVD @ 4000K	OEM SKU# YR-TP350-W60-[P1;P2;M;PM;PN]-C3-[Z1;Z2](4000K) DLC Code: P9WBPGYC	Standard
PTL-60 SC XX SF3 XX UNVD @ 5000K	OEM SKU# YR-TP350-W60-[P1;P2;M;PM;PN]-C3-[Z1;Z2](5000K) DLC Code: PJVAT76K	Standard

**SENSOR SPEC**

Model	Type	Mounting	Coverage	Input	Function	Programmable
SENSOR-PH-PT-U SENSOR-PH-PT-UD SENSOR-PH-PT-HD	-	-	-	Universal 277 ~ 480V	Dusk-to-Dawn Control	-



SENSOR-PH-PT-U/UD    SENSOR-PH-PT-HD