

CPGM SERIES FUEL STATION CANOPY

Client:
 Project:
 Type:
 Quantity:

CONSTRUCTION

Rugged die-cast aluminum housing with corrosion resistant powder coat finish. Heat dissipating fins provide superior thermal performance extending the life of the luminaire.
 LED array and electrical components are in insulated compartment.
 Suitable for surface or pendant installation.

OPTICS

Tempered glass lens designed for maximum protection and excellent efficiency. Standard Type V Distribution, available option for Type III.

ELECTRICAL

80+ CRI Lumileds LED.
 -40°C up to 45°C (-40°F up to 113°F) maximum operating temperature
 160,000 hr at L70 @ 25°C, 75,000 hr at L70 40°C.
 Driver operates at 120-277V input, 50/60Hz. <20% THD, 0.9 power factor.
 Optional 347V / 480V Driver.

SENSORS (OPTIONAL)

SENSOR-BLE-7D Integral Microwave sensor ALS Control bluetooth/on/off/dimming/ photosensing.
 CONTROL-LVFA AVI-ON Bluetooth Mesh Controller.

MOUNTING

3/4" conduit entry on top for pendant mount.
 Surface mount box included.

STANDARD FINISH

Corrosion resistant White powder coating finish.

CUSTOM FINISH

Corrosion resistant Dark Bronze, Black, Graphite Metallic, Gray, Silver, or custom RAL#.

CERTIFICATION

Meets Buy America Act requirements.
 IP66 Wet location label standard.
 All luminaires are built to UL1598 standards and bear appropriate cULus labels.
 For Emergency application, equipment with UL924 certified battery packs.
 DLC® Premium (DesignLights Consortium Qualified)

WARRANTY

5 year warranty, see Limited Warranty for additional information.



SHIPPING DATA

Product	Measurement	Weight
CPGM-100	16"L x 16"W x 5"H	11 lb
CPGM-135	16"L x 16"W x 5"H	11 lb
CPGM-150	16"L x 16"W x 5"H	14 lb



CPGM SERIES FUEL STATION CANOPY

ORDER INFORMATION **EXAMPLE : CPGM 100 50 T5 SM WH UD**

Fixture	Series	Power & LM	CCT	Distribution	Mounting	Finish	Input
	CPGM	100	50	T5	SM	WH	UD

Accessories
Options

A SERIES

CPGM Fuel Station Canopy

B POWER & LM

Code	Power	LM
100	100W	15,000
135	135W	21,000
150	150W	23,500

C CCT

40	4000K
50	5000K

D DISTRIBUTION

T3	Type III distribution (made to order)
T5	Type V distribution (standard)

E MOUNTING

SM 4" Stem with Surface Mount Box (3/4" conduit entry on top center)

F FINISH

Standard

WH White

Custom Color

CC	DB	Dark Bronze	BK	Black	GM	Graphite Metallic
	GR	Gray	SV	Silver	RAL#	

G INPUT

UD	120-277V, 1-10V Dimming
HD	347-480V, 1-10V Dimming

H ACCESSORIES/OPTIONS

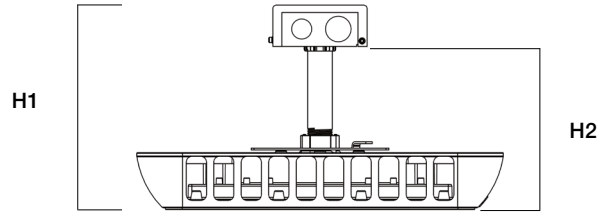
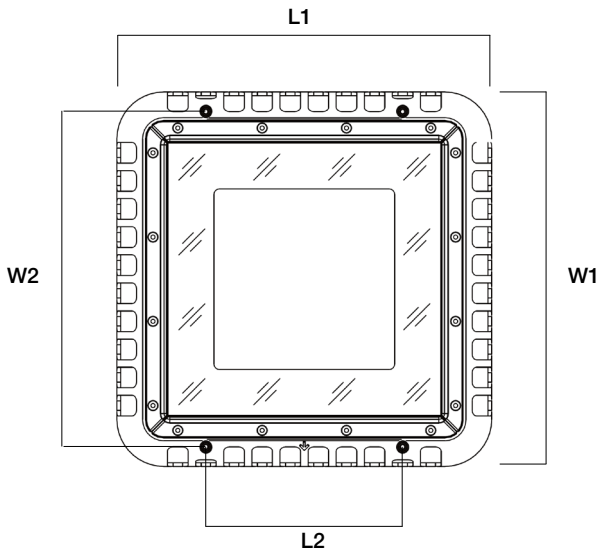
BAA	Assembled in America, compliant with BAA (COTS)
SENSOR-BLE-7D*	Integral Bluetooth Microwave Motion Sensor (ALS Control Mobile App)
CONTROL-LVFA*	AVI-ON Bluetooth Mesh Control System

*see page 4 for sensor spec

CPGM SERIES FUEL STATION CANOPY

Dimensions

Power	L1	L2	W1	W2	H1	H2
100W / 135W / 150W	15.75" (400mm)	8.58" (218mm)	15.75" (400mm)	14.65" (372mm)	8.78" (223mm)	7.28" (185mm) Including a 4" long 3/4" Stem



CPGM SERIES FUEL STATION CANOPY

SENSOR SPEC

Model	Type	Mounting	Coverage	Input	Function	Programmable
CONTROL-LVFA (see page 5 for detail)	Fixture Controller	-	-	12V DC	Bluetooth Mesh On/Off/Dimming Scheduling	AVI-ON Bluetooth Mobile App
SENSOR-BLE-7D (see page 6 for detail)	Microwave	up to 12FT	17FT radius	10V DC	Bluetooth Mesh On/Off/Dimming Motion	ALS Control Bluetooth Mobile App



CONTROL-AVI-LVFA SENSOR-BLE-7D

CPGM SERIES FUEL STATION CANOPY

CONTROL-LVFA SPEC

Status LEDs & Config Button

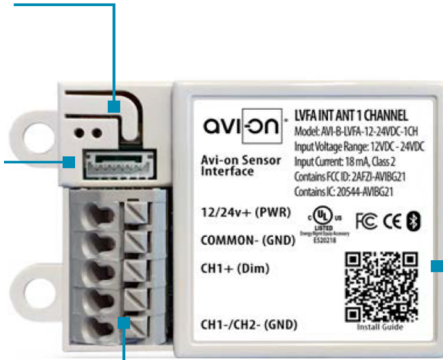
Quick and easy validation of wiring and network

Direct Connect™ Sensor Port

Simple and cost-effective addition to Avi-on sensors

Terminal Blocks & Mounting Tabs

Faster, easier and lower cost installation eliminating connectors



Internal Antenna

Improved performance and eliminates risk of accidentally cutting a hanging wire

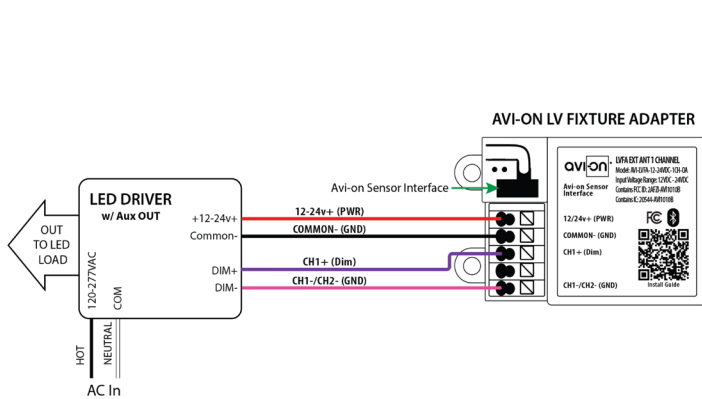
SPECIFICATIONS

INPUT VOLTAGE: 12-24VDC
CURRENT: 15mA without a Sensor
 19mA with a DC PIR Sensor
 48mA with a DC Microwave Sensor
0-10V DIMMING: 12-24VDC
SIZE: 2.30in x 1.43in x 0.75in
 (58.2mm x 36.4mm x 19mm)
MOUNTING: Removable mounting tabs
WEIGHT: 0.45 oz (16g)
OPERATING TEMP: -22°F to +158°F (-30°C to + 70°C)

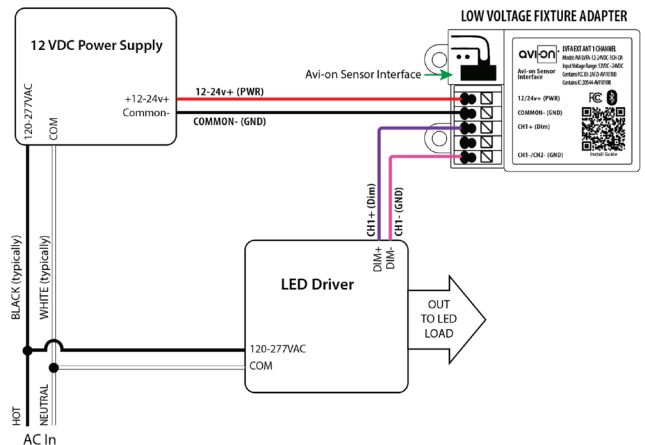
RADIO FREQUENCY: 2.4GHz
WIRELESS STANDARD: BLE 4.2 with Mesh
POINT TO POINT RANGE*: 80ft with obstructions
 350ft unobstructed
SECURITY: AES 128-bit encryption for device to device communication
 AES 256-bit encryption for device to cloud communication
WARRANTY: 5 years; 10 years optional
REGULATORY: FCC: 2AFZI-AVI1010 B
 IC: 20544-AVI1010 B
 BQB: D031801, DID: 86303
 UL 916, 2043 (Plenum Rated)

*When communicating through the mesh, range is essentially unlimited (5000ft+)

WIRING DIAGRAM



Fixture adapter powered by LED driver auxiliary output



Fixture adapter connected to LED driver and using power supply

FEATURE

- **Installation:** Factory Install - Integral to Fixture
- **Commissioning:** Wirelessly through ALS Control Mobile App (iOS / Android)
- **Certification:** DLC 5.1 Networked Lighting Control System
- **Control:** Hold time, High-Low setting, continuous Bi-level dimming, Code-compliant manual-on or auto-off capability
- **Sensor:** Motion (Occupancy/Vacancy/Manual)
- **Room and Zone Control:** Zoning and Grouping control, Scheduling

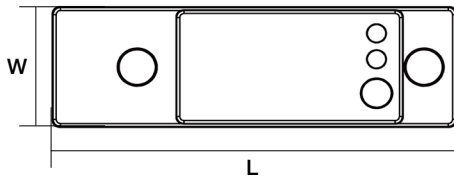


SPECIFICATIONS

SENSOR TYPE: Microwave
WIRELESS STANDARDS: Bluetooth SIG Mesh
INPUT VOLTAGE: 10-14VDC, >50mA
CONTROL OUTPUT: 0-10V
OPERATING TEMP: -40°F ~ +158°F (-40°C ~ +70°C)

COMMISSIONING RANGE: 50FT
BLUETOOTH RANGE: Integral antenna up to 164FT
DETECTION ANGLE: 360°
MOUNTING HEIGHT: Up to 12FT
WARRANTY: 5 years
IP RATING: IP20

DIMENSIONS



L	W
2.6" (65.5mm)	0.8" (20.5mm)

COVERAGE PATTERNS

