

**EL SERIES EMERGENCY LIGHT**

Client:  
Project:  
Type:  
Quantity:

**CONSTRUCTION**

The EL series lights and housing are constructed from injection-molded thermoplastic material. Spec-grade product obtain UL-94V-0 flame rating. Fully adjustable emergency lights offers 360° rotation and 90° tilt.

**OPTICS**

Polycarbonate prismatic lens.

**ELECTRICAL**

10°C up to 40°C (50°F up to 104°F) maximum operating temperature.  
Lamps use long-lasting, efficient ultra bright white LEDs.  
Adjustable 2W LED heads equipped with 12 series-parallel white LEDs each.  
120-277V Input, maintenance-free 3.6V 600mAh Nickel Cadmium battery that provides a minimum emergency duration of 120 minutes.

**MOUNTING**

Surface mount through luminaire body, allow mounting on 4" Round or Square J-box.  
Standard mounting height of 7.5ft illuminates 1 footcandle (FC) spaced at 18ft for a 3ft path of egress.  
Standard mounting height of 7.5ft illuminates 1 footcandle (FC) spaced at 14ft for a 6ft path of egress.

**EMERGENCY OPERATION**

Upon failure of the normal utility power, an internal solidstate transfer switch automatically provides uninterrupted emergency operation for at least 90 minutes.  
Recharge a discharged battery in 24 hours.

**STANDARD FINISH**

Corrosion resistant matte White finish

**CUSTOM FINISH**

Corrosion resistant Black finish

**CERTIFICATION**

All luminaires are built to UL1598 & UL924 standards and bear appropriate cULus labels.  
UL94V-0 Rating.

**WARRANTY**

5 year warranty, see Limited Warranty for additional information



**SHIPPING DATA**

Product	Measurement	Weight
EL-A-G2	12"L x 3"W x 5"H	3 lb



**EL SERIES EMERGENCY LIGHT**

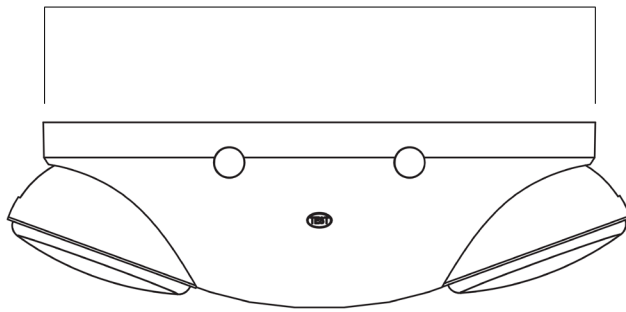
ORDER INFORMATION				EXAMPLE : EL A G2 WH EM	
Fixture	SERIES	POWER	GENERATION	FINISH	INPUT
	<b>EL</b>	<b>A</b>	<b>G2</b>	<b>WH</b>	<b>EM</b>
<b>A</b>	<b>SERIES</b>				
	EL	Emergency Light			
<b>B</b>	<b>POWER &amp; LM</b>				
Code	Power	LM			
A	1.8W	161lm			
<b>C</b>	<b>GENERATION</b>				
G2	Gen 2 Model				
<b>D</b>	<b>FINISH</b>				
	Standard				
WH	White				
	Custom Color				
CC	BK	Black			
<b>E</b>	<b>INPUT</b>				
EM	120 Minute Battery				
<b>F</b>	<b>ACCESSORIES/OPTIONS</b>				
BAA	Assembled in America, compliant with BAA (COTS)				

**EL SERIES EMERGENCY LIGHT**

**DIMENSIONS**

Power	L	W	H
A	11.00" (279mm)	2.66" (68mm)	4.33" (110mm)

L



W

