



## LPTW SERIES TUNABLE WHITE PANEL

Client:  
Project:  
Type:  
Quantity:

### CONSTRUCTION

Low profile extruded aluminum frame, all corners are rounded for safe handling. Multiple wiring extrances on driver enclosure for easy access. The backplate includes integral T-bar clips for installation into T-grid ceilings.

### OPTICS

Backlit design provides exceptional lighting distribution. Frosted PMMA lens offers edge to edge illumination without pixelation or bright spots.

### ELECTRICAL

80+ CRI Samsung LEDs, coupled with a high-efficiency driver, provide superior illumination for extended service life. Greater than 70% LED lumen maintenance at 50,000 hours (L70>50,000).

Tunable White from 2700K to 6500K CCT - use LEDs of multiple CCTs and may produce a perceptibly different shade of white from single-CCT products at the same CCT.

All CCTs are within 3 MacAdam ellipses.

Driver operates at 120-277V input, 0-10V dimmable, down to 10%. Separated wiring for dimming/on/off and CCT tuning via 2 separated 0-10V controller.

### CONTROL (OPTIONAL)

CONTROL-BLE-620 Bluetooth Wireless Fixture Controller for CCT Tuning, Dimming, Grouping, Scheduling Features (ALS Control Mobile App)

SENSOR-BLE-7 Integral Microwave Bluetooth Wireless Motion/on/off/dimming/photosensing.

### MOUNTING

Designed to accommodate lay-in ceilings, Slot T, and T-bar suspension system for 5/8" and 3/8" width. Built-in earthquake clips come standard

Surface/cable mount applications, use surface/cable kit accessories.

Plaster or sheetrock installations, select flange kit.

### FINISH

90% minimum average reflective white polyester powder coat bonded to phosphate-free, multi-stage pretreated metal. All parts painted after fabrication to facilitate installation, increase efficiency, and inhibit corrosion.

### CERTIFICATION

Damp location label standard.

Meets Buy America Act requirements.

All luminaires are built to UL1598 standards and bear appropriate cULus labels.

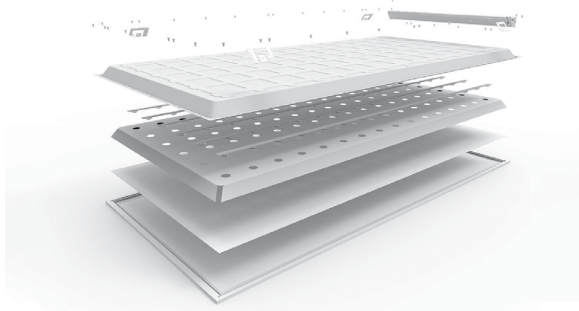
For Emergency application, equipment with UL924 certified battery packs.

### WARRANTY

5 year warranty, see Limited Warranty for additional information.



LPTW-2



Backlit Construction



**LPTW SERIES TUNABLE WHITE PANEL**

ORDER INFORMATION				EXAMPLE: LPTW 2 BACKLIT
Fixture	Series	Model	Finish	Input
	LPTW		WH	UD
Mounting	Accessories Options			

A	SERIES	
LPTW	0-10V Tunable White LED Flat Panel	

B	MODEL			
Code	Size	Power	CCT	
1-BACKLIT	1x4	40W	Tunable White 2700K - 6500K	
2-BACKLIT	2x2	40W	Tunable White 2700K - 6500K	
4-BACKLIT	2x4	50W	Tunable White 2700K - 6500K	

C	FINISH	
blank	White	

D	INPUT	
blank	120-277V Input 0-10V Dimmable (100%-10%) - Driver with 2 set of leads for Dimming/On/Off and CCT Tuning	

E	MOUNTING	
blank	Standard lay-in	
MOUNT-LP-14-FGK	1.52" Tall 1x4 Flange Kit (Plaster, Sheetrock or Drywall)	
MOUNT-LP-14-SMK	4" Tall 1x4 Surface Mount Kit for Edgelit LPTW	
MOUNT-LP-22-FGK	1.52" Tall 2x2 Flange Kit (Plaster, Sheetrock or Drywall)	
MOUNT-LP-24-FGK	1.52" Tall 2x4 Flange Kit (Plaster, Sheetrock or Drywall)	
MOUNT-LP-22-SMK	4" Tall 2x2 Surface Mount Kit for Edgelit LPTW	
MOUNT-LP-24-SMK	4" Tall 2x4 Surface Mount Kit for Edgelit LPTW	
MOUNT-LP-PMK	Aircraft Cable Pendant Mount	

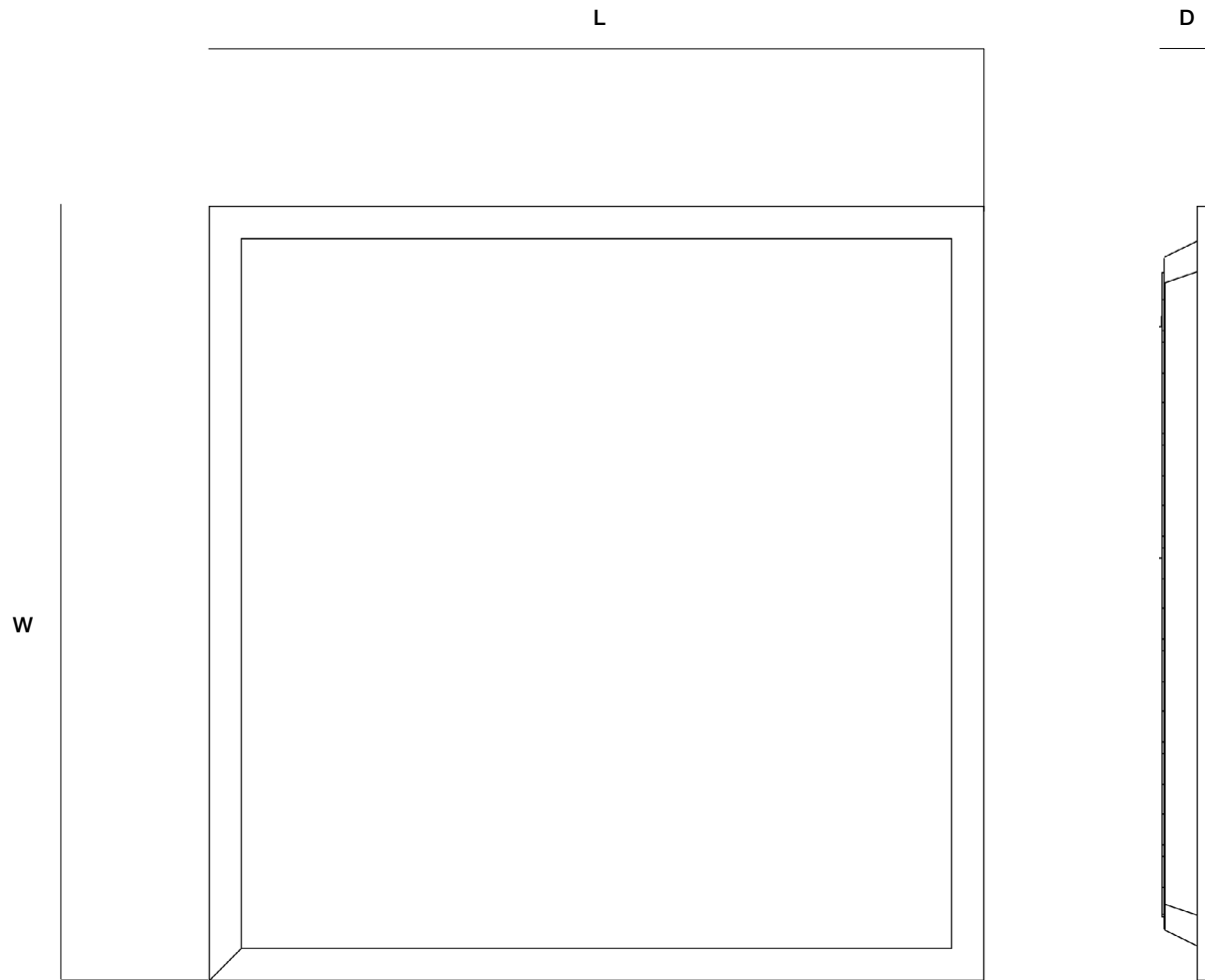
F	ACCESSORIES/OPTIONS	
BAA	Assembled in America, compliant with BAA (COTS)	
-C	3/8" x 6FT Steel Flex 5-18AWG Solid 6' leads BLK/WH/GRN/PUR/PNK & 3/8" Die Cast Screw-In Locknut Connectors	
EMB-H08170*	90-Minute Self-Diagnostic Emergency Battery 8W 100-347VAC Input 170VDC Output	
EMB-H18170*	90-Minute Self-Diagnostic Emergency Battery 18W 100-347VAC Input 170VDC Output	
SENSOR-BLE-7	Integral Microwave Bluetooth Wireless Bi-Level Motion Sensor (ALS Control Mobile App)	
CONTROL-LVFA*	AVI-ON Bluetooth Mesh Control System	
CONTROL-BLE-620	Bluetooth Wireless Fixture Controller for CCT Tuning, Dimming, Grouping, Scheduling Features (ALS Control Mobile App)	

\*see page 5 for EMB and sensor spec

**LPTW SERIES TUNABLE WHITE PANEL**

**DIMENSIONS**

Model	L	W	D
LPTW-1	47.80" (1213.00mm)	11.90" (301.00mm)	1.50" (37.50mm)
LPTW-2	23.70" (603.00mm)	23.70" (603.00mm)	1.50" (37.50mm)
LPTW-4	47.80" (1213.00mm)	23.70" (603.00mm)	1.50" (37.50mm)



**LPTW SERIES TUNABLE WHITE PANEL**

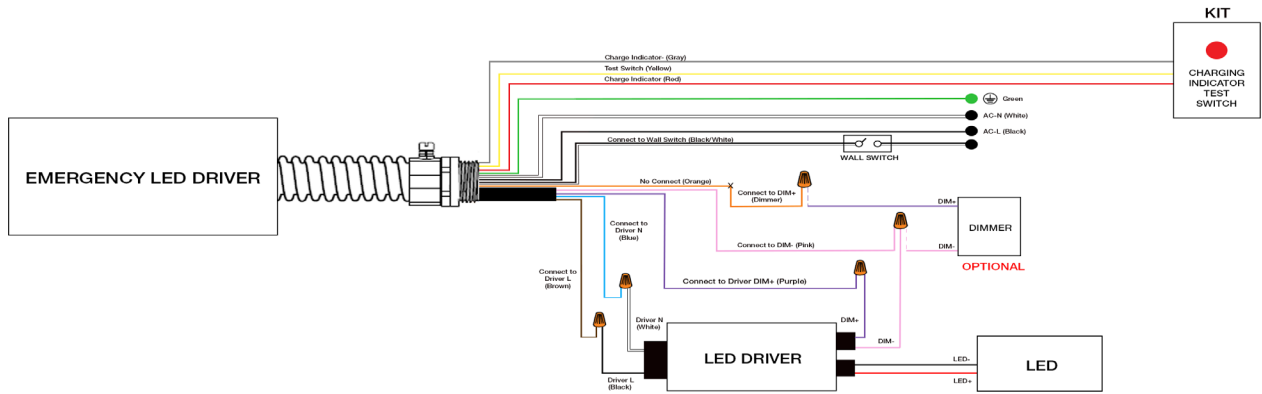
**PERFORMANCE DATA**

MODEL	WATTS	VOLTAGE	2700K ~ 6500K (80CRI)			
			LUMENS	LPW	LUMENS	LPW
LPTW-1	40W	120-277V	4400	110	4600	115
LPTW-2	40W	120-277V	4400	110	4600	115
LPTW-4	50W	120-277V	5500	110	5750	105

**LPTW SERIES TUNABLE WHITE PANEL**

**EMB SPEC**

Model	Battery Capacity	Input	Output	Output Power	Operating Temp	Installation
EMB-H08170	90mins	100-347VAC	170VDC	8W	0°C ~ 50°C 32°F ~ 122°F	Factory or Field Install
EMB-H18170	90mins	100-347VAC	170VDC	18W	0°C ~ 50°C 32°F ~ 122°F	Factory or Field Install



**SENSOR SPEC**

Model	Type	Mounting	Coverage	Input	Function	Programmable
CONTROL-LVFA (see page 6 for detail)	-	-	-	12V DC	Bluetooth Mesh On/Off/Dimming Scheduling	AVI-ON Bluetooth Mobile App
CONTROL-BLE-620 (see page 7 for detail)	Fixture Controller	Integral to Fixture	-	12V DC	CCT Tuning Dimming Grouping Time Schedule	ALS Control Bluetooth Mobile App
SENSOR-BLE-7	Microwave	up to 13FT	17FT radius	12V DC	Bluetooth Mesh On/Off/Dimming Motion Daylight Sensing	ALS Control Bluetooth Mobile App



CONTROL-BLE-620

SENSOR-BLE-7

**LPTW SERIES TUNABLE WHITE PANEL**

**CONTROL-AVI-LVFA SPEC**

**Status LEDs & Config Button**

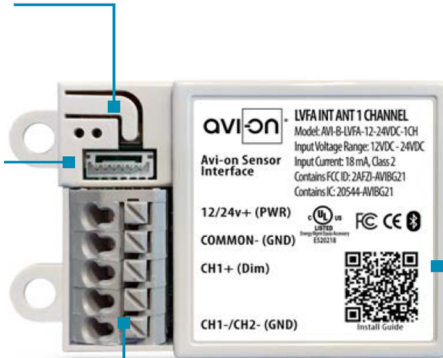
Quick and easy validation of wiring and network

**Direct Connect™ Sensor Port**

Simple and cost-effective addition to Avi-on sensors

**Terminal Blocks & Mounting Tabs**

Faster, easier and lower cost installation eliminating connectors



**Internal Antenna**

Improved performance and eliminates risk of accidentally cutting a hanging wire

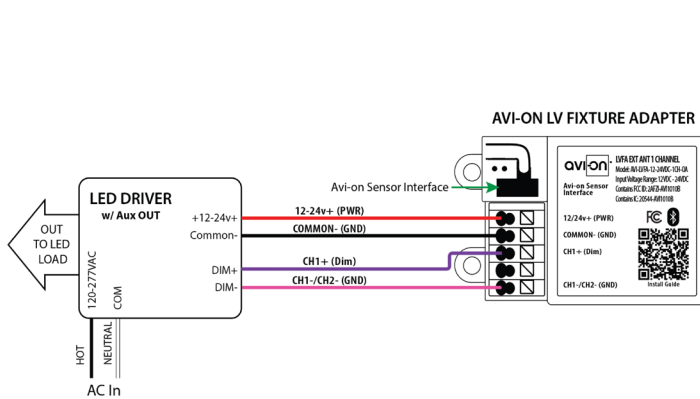
**SPECIFICATIONS**

**INPUT VOLTAGE:** 12-24VDC  
**CURRENT:** 15mA without a Sensor  
 19mA with a DC PIR Sensor  
 48mA with a DC Microwave Sensor  
**0-10V DIMMING:** 12-24VDC  
**SIZE:** 2.30in x 1.43in x 0.75in  
 (58.2mm x 36.4mm x 19mm)  
**MOUNTING:** Removable mounting tabs  
**WEIGHT:** 0.45 oz (16g)  
**OPERATING TEMP:** -22°F to +158°F (-30°C to + 70°C)

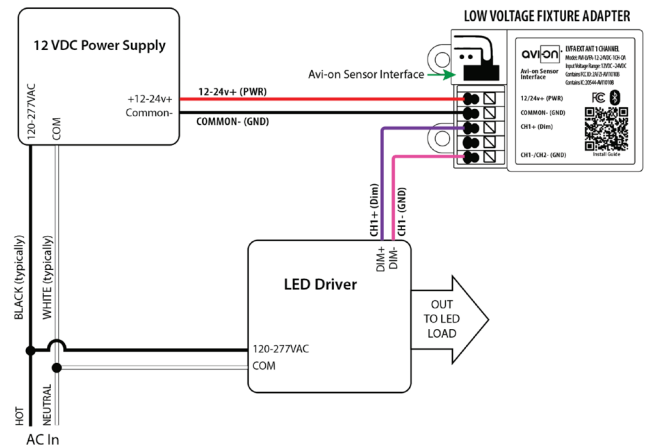
**RADIO FREQUENCY:** 2.4GHz  
**WIRELESS STANDARD:** BLE 4.2 with Mesh  
**POINT TO POINT RANGE\*:** 80ft with obstructions  
 350ft unobstructed  
**SECURITY:** AES 128-bit encryption for device to device communication  
 AES 256-bit encryption for device to cloud communication  
**WARRANTY:** 5 years; 10 years optional  
**REGULATORY:** FCC: 2AFZI-AV1010 B  
 IC: 20544-AV1010 B  
 BQB: D031801, DID: 86303  
 UL 916, 2043 (Plenum Rated)

\*When communicating through the mesh, range is essentially unlimited (5000ft+)

**WIRING DIAGRAM**



Fixture adapter powered by LED driver auxiliary output



Fixture adapter connected to LED driver and using power supply



# CONTROL-BLE-620 BLUETOOTH CONTROLLER

Client:  
Project:  
Type:  
Quantity:

## FEATURE

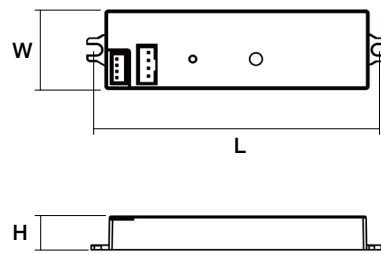
- **Installation:** Factory installed, 12V AUX power required
- **Commissioning:** Wirelessly through ALS Control Mobile App (iOS / Android)
- **Certification:** DLC 5.1 Networked Lighting Control System
- **Control:** Dimming, High-End Trim, Zoning, Continuous Bi-level Dimming
- **CCT Tuning:** CCT Tuning feature for Dual/Multi-CCT LED board fixture only
- **Sensor:** Plug-N-Play with ALS Control sensors
- **Zone Control:** Zoning and Grouping control, Scheduling



## SPECIFICATIONS

<b>WIRELESS STANDARDS:</b>	5.0 Bluetooth Mesh
<b>INPUT VOLTAGE:</b>	12-14VDC, >50mA
<b>OUTPUT VOLTAGE:</b>	LED Max. 150VDC Max. 2A
<b>CONTROL OUTPUT:</b>	0-10V
<b>OPERATING TEMP:</b>	-40°F ~ +158°F (-40°C ~ +70°C)
<b>COMMISSIONING RANGE:</b>	50FT
<b>BLUETOOTH RANGE:</b>	100FT
<b>WARRANTY:</b>	5 years
<b>IP RATING:</b>	IP20

## DIMENSIONS



L	H	W
3.5" (89mm)	0.43" (11mm)	1.00" (26mm)

Lead Wire	Antenna Wire
10.60" (270mm)	10.60" (270mm)

## WIRING DIAGRAM

