



BL3A SERIES ARCHITECTURAL BOLLARD

Client:
Project:
Type:
Quantity:

CONSTRUCTION

Low profile extruded aluminum shaft with thick side walls for excellent durability, Features a sleek, modern design and carefully engineered to provide long-lasting, energy-efficient lighting. Die-cast aluminum mounting base allows for easy leveling even in sloped locations and a full 360-degree rotation for precise alignment during installation.

OPTICS

Polycarbonate lens offer glare-free uniform illumination.
Efficacy at 110 lm/W.

ELECTRICAL

70+ CRI.
-30°C up to 45°C (-22°F up to 113°F) maximum operating temperature.
Designed for an expected life >50,000 hours.
L₉₀ 57,000 hours, L₈₀ 150,000 hours, L₇₀ 236,000 hours, Ta = 25°C.
CCT selectable light engine 3000K ~ 5000K.
Driver operates at 120-277V, 50/60 Hz 1-10V dimmable driver, down to 10%.
>.9 power factor, 6kV line-line surge protection standard. Optional 10kV surge protection.



CONTROL (OPTIONAL)

CONTROL-LVFA AVI-ON Bluetooth Mesh Controller.

STANDARD FINISH

Corrosion resistant Black powder coating finish.

CUSTOM FINISH

Corrosion resistant Dark Bronze, Graphite Metallic, Gray, Silver, White, Custom RAL#

SHIPPING DATA

| Product | Measurement | Weight |
|---------|------------------|--------|
| BL3A-22 | 49"L x 9"W x 9"H | 18 lb |

CERTIFICATION

Meets Buy America Act requirements.
IP66 Wet location label listed.
IK10 rated.
Category of corrosion - C3.
All luminaires are built to UL1598 standards and bear appropriate cULus labels.
For Emergency application, equipment with UL924 certified battery packs.

WARRANTY

5 year warranty, see Limited Warranty for additional information.



BL3A SERIES ARCHITECTURAL BOLLARD

ORDER INFORMATION **EXAMPLE : BL3A 22 SC 36 BK UD**

| | | | | | | |
|----------------|---------------|-----------------------|------------|-------------------|---------------|--------------|
| Fixture | Series | Power & LM | CCT | Shaft Size | Finish | Input |
| | BL3A | 22 | SC | 36 | | |

**Accessories
Options**

A SERIES

BL3A Architectural Bollard

B POWER & LM

| | | |
|-------------|---|-------------------------------------|
| Code | Power | LM |
| 22 | Field Selectable 6.6W / 11W / 16.5W / 22W | 728lm / 1,214lm / 1,821lm / 2,445lm |

C CCT

SC Field Selectable 3000K / 4000K / 5000K

D SHAFT SIZE

36 36 inch (Fixture Overall Height 41.86 inch)

E FINISH

Standard

BK Black

Custom Color

| | | | |
|-----------|-----------------------|-----------------------------|----------------|
| CC | DB Dark Bronze | GM Graphite Metallic | GR Gray |
| | SV Silver | WH White | RAL# |

F INPUT

UD 120-277V, 1-10 Dimming

G ACCESSORIES/OPTIONS

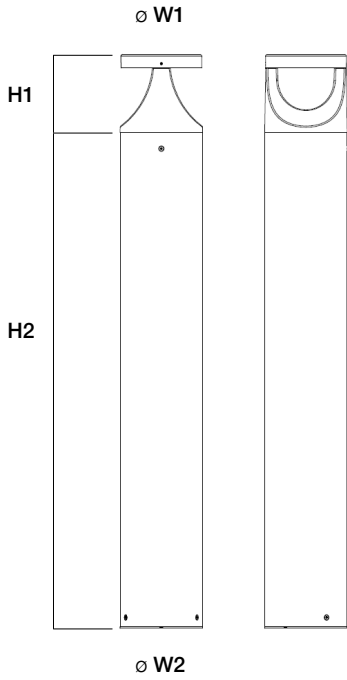
| | |
|-------------------------|--|
| BAA | Assembled in America, compliant with BAA (COTS) |
| MOUNT-BL3A-BOLTS | Anchor Bolts Set (included with packaging) |
| SHIELD-BL3A | Glare Shield |
| EMB-8W-B* | 90-Minute Self-Diagnostic Emergency Battery 8W 100-347VAC Input 170VDC Output |
| EMB-18W-B* | 90-Minute Self-Diagnostic Emergency Battery 18W 100-347VAC Input 170VDC Output |
| EMB-18W-C-B* | 90-Minute Self-Diagnostic Emergency Battery 18W 100-347VAC Input 170VDC Output -20°C-50°C (-4°F-122°F) |
| SURGE-LSP4-U | 10kV Inline Surge Protection for Universal Input |
| CONTROL-LVFA* | AVI-ON Bluetooth Mesh Control System |

*see page 5 sensor and EMB spec

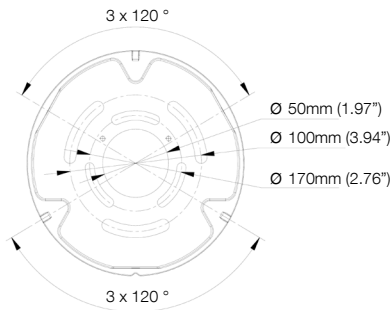
BL3A SERIES ARCHITECTURAL BOLLARD

DIMENSIONS

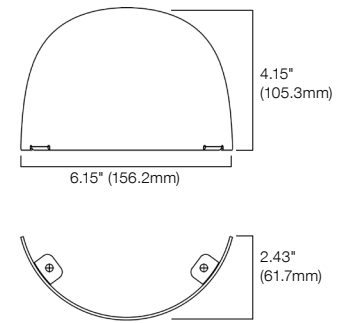
| Model | H1 | H2 | W1 | W2 |
|--------------|---------------|----------------|-----------------|-----------------|
| BL3A-22SC-36 | 5.68" (144mm) | 36.18" (919mm) | ø 6.5" (ø165mm) | ø 6.5" (ø165mm) |



BL3A-22SC-36" Shaft

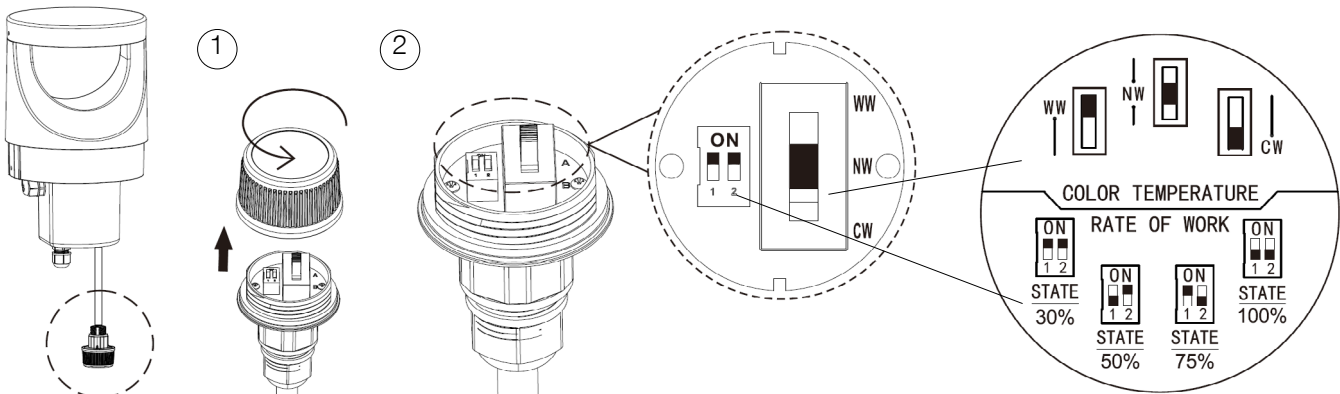


Shaft Bolt Pattern



Glare Shield

POWER & CCT SELECTION





BL3A SERIES ARCHITECTURAL BOLLARD

PERFORMANCE DATA

| SYSTEM WATTS | VOLTAGE | 3000K (80CRI) | | 4000K (80CRI) | | 5000K (80CRI) | |
|--------------|----------|---------------|-----|---------------|-----|---------------|-----|
| | | LUMENS | LPW | LUMENS | LPW | LUMENS | LPW |
| 6.6W | 120-277V | 640 | 97 | 728 | 110 | 658 | 100 |
| 11W | 120-277V | 1,067 | 97 | 1,214 | 110 | 1,097 | 100 |
| 16.5W | 120-277V | 1,601 | 97 | 1,821 | 110 | 1,645 | 100 |
| 22W | 120-277V | 2,057 | 97 | 2,245 | 110 | 2,158 | 100 |

BL3A SERIES ARCHITECTURAL BOLLARD

SENSOR SPEC

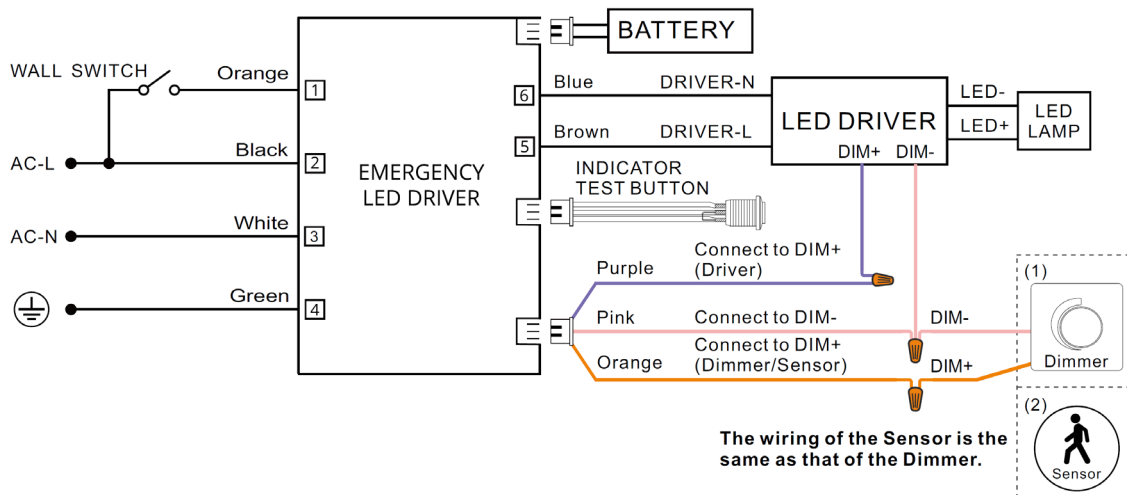
| Model | Type | Mounting | Coverage | Input | Function | Programmable |
|---|-----------------------|----------|----------|--------|--|-----------------------------------|
| CONTROL-LVFA (see page 6 for detail) | Fixture Controller | - | - | 12V DC | Bluetooth Mesh On/Off/Dimming Scheduling | AVI-ON Bluetooth Mobile App |



CONTROL-LVFA

EMB SPEC

| Model | Battery Capacity | Input | Output | Output Power | Operating Temp | Installation |
|-------------|------------------|------------|--------|--------------|------------------------------|--------------------------------|
| EMB-8W-B | 90mins | 100-347VAC | 170VDC | 8W | 0°C ~ 50°C 32°F ~ 122°F | Factory or Field Install |
| EMB-18W-B | 90mins | 100-347VAC | 170VDC | 18w | 0°C ~ 50°C 32°F ~ 122°F | Factory or Field Install |
| EMB-18W-C-B | 90mins | 100-347VAC | 170VDC | 18w | -20°C ~ 50°C -4°F ~ 122°F | Factory or Field Install |



CONTROL-LVFA SPEC

Status LEDs & Config Button

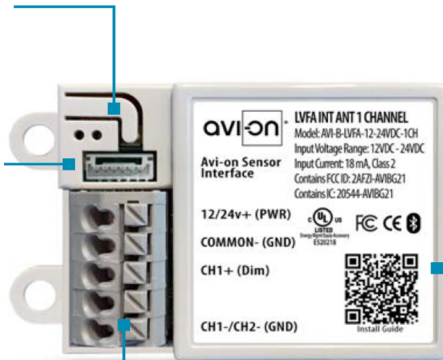
Quick and easy validation of wiring and network

Direct Connect™ Sensor Port

Simple and cost-effective addition to Avi-on sensors

Terminal Blocks & Mounting Tabs

Faster, easier and lower cost installation eliminating connectors



Internal Antenna

Improved performance and eliminates risk of accidentally cutting a hanging wire

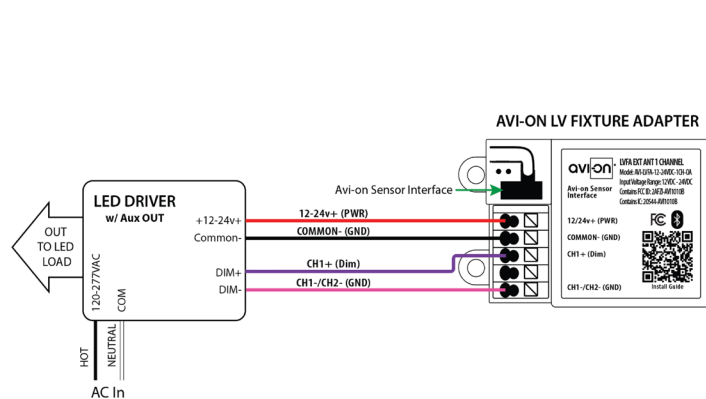
SPECIFICATIONS

INPUT VOLTAGE: 12-24VDC
CURRENT: 15mA without a Sensor
 19mA with a DC PIR Sensor
 48mA with a DC Microwave Sensor
0-10V DIMMING: 12-24VDC
SIZE: 2.30in x 1.43in x 0.75in
 (58.2mm x 36.4mm x 19mm)
MOUNTING: Removable mounting tabs
WEIGHT: 0.45 oz (16g)
OPERATING TEMP: -22°F to +158°F (-30°C to + 70°C)

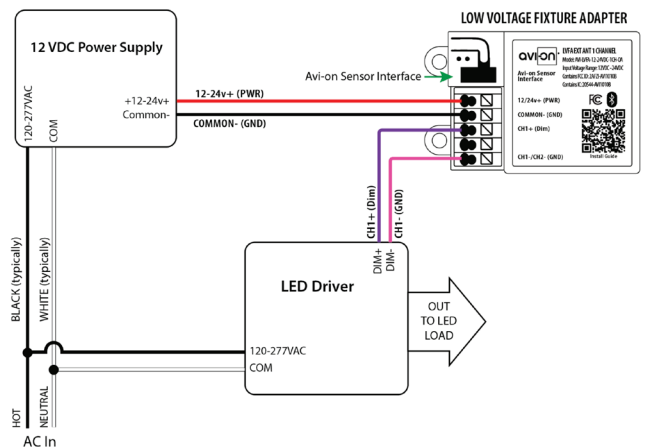
RADIO FREQUENCY: 2.4GHz
WIRELESS STANDARD: BLE 4.2 with Mesh
POINT TO POINT RANGE*: 80ft with obstructions
 350ft unobstructed
SECURITY: AES 128-bit encryption for device to device communication
 AES 256-bit encryption for device to cloud communication
WARRANTY: 5 years; 10 years optional
REGULATORY: FCC: 2AFZI-AVI1010 B
 IC: 20544-AVI1010 B
 BQB: D031801, DID: 86303
 UL 916, 2043 (Plenum Rated)

*When communicating through the mesh, range is essentially unlimited (5000ft+)

WIRING DIAGRAM



Fixture adapter powered by LED driver auxiliary output



Fixture adapter connected to LED driver and using power supply