



ARD SERIES ROADWAY

Client:
Project:
Type:
Quantity:

CONSTRUCTION

Rugged die-cast aluminum housing with hinged, die-cast aluminum door.
Low profile, 3G vibration rated compact design minimizes wind load requirements.
Downward opening electrical hinged door completely sealed against moisture and dust.

OPTICS

UV-resistant polycarbonate optics, available in Type II, III distributions.
Full cutoff when mounted with 0 degrees tilt with adjustable mounting.
Optics is precisely designed to shape the distribution, maximizing efficiency and application spacing.

ELECTRICAL

70+ CRI Lumileds LED.
-40°C up to 40°C (-40°F up to 104°F) maximum operating temperature.
Long-life 50,000 hr LED at L70 @ 25°C.
Driver operates at 120-277V input, 0-10V dimmable driver, down to 10%.
50/60Hz, <11% THD, 0.9 power factor.
Built-in 3-PIN NEMA Twist Lock Receptacle and Photocell Included.
Optional 347/480V input. Optional 10kV surge protection.

SENSORS (OPTIONAL)

SENSOR-BLE-619 Integral PIR ALS Control Bluetooth/on/off/dimming/photosensing.
CONTROL-AVI-ON Bluetooth Mesh Controller.

MOUNTING

Compatible with mast arm 1-5/8" ~ 2-3/8" OD.

STANDARD FINISH

Corrosion resistant Silver Gray powder coating finish.

CERTIFICATION

Wet location label standard.
Meets Buy America Act requirements.
All luminaires are built to UL1598 standards and bear appropriate cULus labels.
DLC® Premium (DesignLights Consortium Qualified).

WARRANTY

5 year warranty, see Limited Warranty for additional information.



Silver Gray Finish

SHIPPING DATA

Product	Measurement	Weight
ARD-70	22"L x 10"W x 5"H	15 lb
ARD-105	22"L x 10"W x 5"H	15 lb
ARD-150	25"L x 12"W x 7"H	19 lb



ARD SERIES ROADWAY

ORDER INFORMATION **EXAMPLE : ARD 70 40 T3 SG UNVD PT**

Fixture	Series	Power & LM	CCT	Distribution	Finish	Input	Photocell
	ARD				SG		PT

Accessories
Options

A SERIES

ARD Roadway

B POWER & LM

Code	Power	LM
70	70W	9900lm
105	105W	14300lm
150	150W	19600lm

C CCT

30*	3000K	40	4000K
35*	3500K	50	5000K

*made to order consult factory for lead time

D DISTRIBUTION

T2*	Type II
T3	Type III

*made to order

E FINISH

SG Silver Gray

F INPUT

UNVD 120-277V, 0-10V Dimming **HVLD** 347-480V, 0-10V Dimmable

G PHOTOCELL

PT 3-PIN NEMA Twist Lock Photocell

H ACCESSORIES/OPTIONS

BAA	Assembled in America, compliant with BAA (COTS)
SENSOR-BLE-619-L3 / L4*	Integral PIR Bluetooth Daylight Sensor (ALS Control Mobile App) / L3: up to 40FT, L4: up to 8FT
SURGE-LSP4-U / H	10kV inline Surge Protection for Universal input / U: 120-277V, H: 480V input
MOUNT-ARD-ARM-SG	Mounting Arm Kit
CONTROL-LVFA*	AVI-ON Bluetooth Mesh Control System

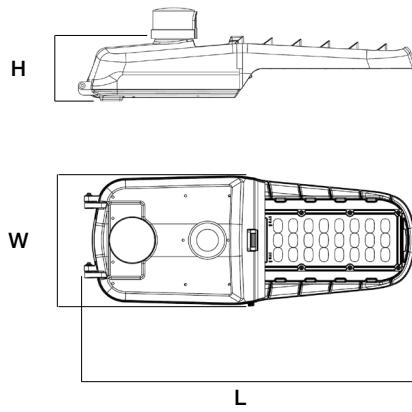
*see page 5 for sensor spec

ARD SERIES ROADWAY

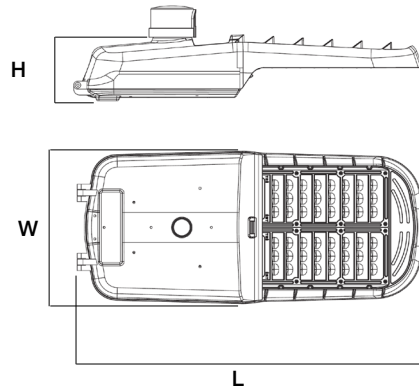
DIMENSIONS

Model	L	W	H
ARD-70 / 105	20.80" (529mm)	8.14" (207mm)	4.27" (108mm)
ARD-150	23.84" (606mm)	10.43" (265mm)	4.52" (115mm)
MOUNT-ARM-ARD-SG	-	14.9" (378mm)	19.3" (490mm)

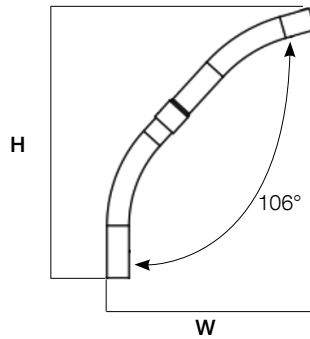
ARD-70
 ARD-105
 Single-board layout



ARD-150
 Dual-board layout


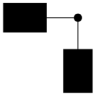
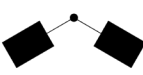

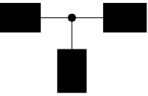
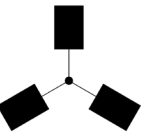
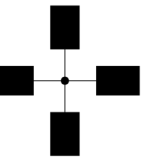


MOUNT-ARD-ARM-SG
 Mounting Arm Kit



ARD SERIES ROADWAY

EPA (ft²)

							
Mounting Option	Single	2 @ 90°	2 @ 120°	2 @ 180°	3 @ 90°	3 @ 120°	4 @ 90°
70 / 105	0.456	0.775	1.015	0.912	1.231	1.334	1.231
150	0.471	0.801	1.048	0.942	1.272	1.378	1.272

PERFORMANCE DATA

SYSTEM WATTS	3000K		3500K		4000K		5000K	
	LUMENS	LPW	LUMENS	LPW	LUMENS	LPW	LUMENS	LPW
70W	9600	137	9600	137	9900	141	9900	141
105W	14300	136	14300	136	14600	139	14600	139
150W	19500	130	19600	131	19800	132	20000	133

DLC CODE

Part Number	DLC Part Number	DLC Class
ARD-7040T2-SGUNVD / ARD-7050T2-SGUNVD	PENDING / PENDING	Premium
ARD-7040T3-SGUNVD / ARD-7050T3-SGUNVD	PENDING / PENDING	Premium
ARD-10540T2-SGUNVD / ARD-10550T2-SGUNVD	PENDING / PENDING	Premium
ARD-10540T3-SGUNVD / ARD-10550T3-SGUNVD	PENDING / PENDING	Premium

ARD SERIES ROADWAY

SENSOR SPEC

Model	Type	Mounting	Coverage	Input	Function	Programmable
SENSOR-PH-PT-U (standard included)	-	-	-	Universal	Dusk-to-Dawn Control	-
CONTROL-LVFA (see page 6 for detail)	Fixture Controller	-	-	12V DC	Bluetooth Mesh On/Off/Dimming Scheduling	AVI-ON Bluetooth Mobile App
SENSOR-BLE-619 (see page 7 for detail)	PIR	L3 - 40FT L4 - 8FT	30FT radius 24FT radius	12V DC	Bluetooth Mesh On/Off Daylight	ALS Control Bluetooth Mobile App



SENSOR-PH-PT-U/H



CONTROL-LVFA



SENSOR-BLE-619

CONTROL-LVFA SPEC

Status LEDs & Config Button

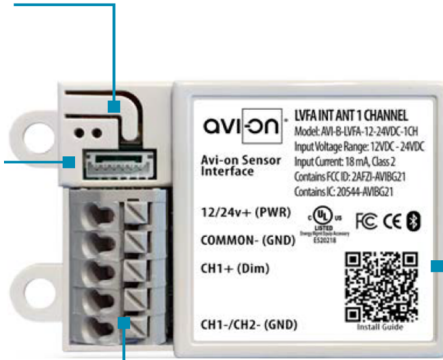
Quick and easy validation of wiring and network

Direct Connect™ Sensor Port

Simple and cost-effective addition to Avi-on sensors

Terminal Blocks & Mounting Tabs

Faster, easier and lower cost installation eliminating connectors



Internal Antenna

Improved performance and eliminates risk of accidentally cutting a hanging wire

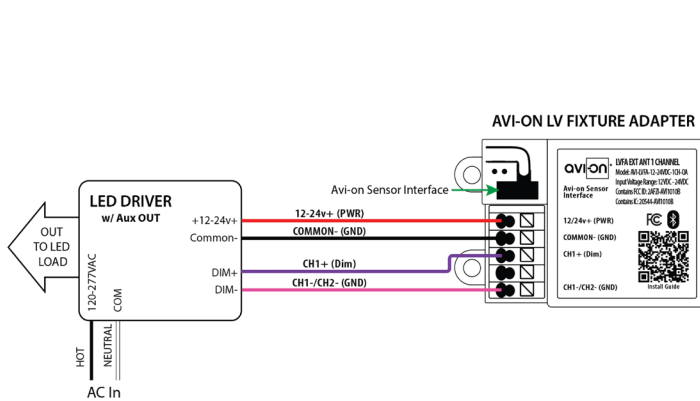
SPECIFICATIONS

INPUT VOLTAGE: 12-24VDC
CURRENT: 15mA without a Sensor
 19mA with a DC PIR Sensor
 48mA with a DC Microwave Sensor
0-10V DIMMING: 12-24VDC
SIZE: 2.30in x 1.43in x 0.75in
 (58.2mm x 36.4mm x 19mm)
MOUNTING: Removable mounting tabs
WEIGHT: 0.45 oz (16g)
OPERATING TEMP: -22°F to +158°F (-30°C to + 70°C)

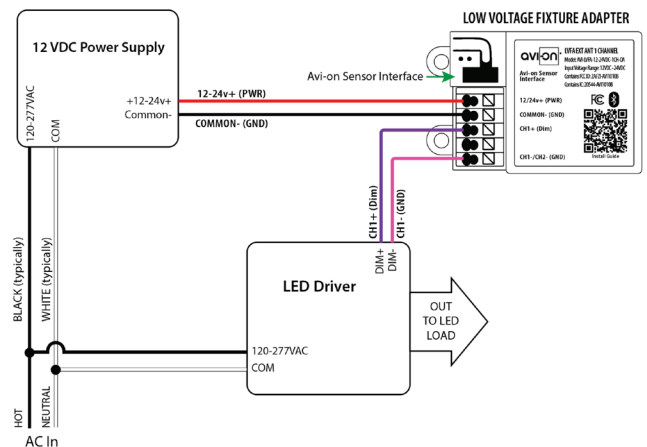
RADIO FREQUENCY: 2.4GHz
WIRELESS STANDARD: BLE 4.2 with Mesh
POINT TO POINT RANGE*: 80ft with obstructions
 350ft unobstructed
SECURITY: AES 128-bit encryption for device to device communication
 AES 256-bit encryption for device to cloud communication
WARRANTY: 5 years; 10 years optional
REGULATORY: FCC: 2AFZI-AVI1010 B
 IC: 20544-AVI1010 B
 BQB: D031801, DID: 86303
 UL 916, 2043 (Plenum Rated)

*When communicating through the mesh, range is essentially unlimited (5000ft+)

WIRING DIAGRAM



Fixture adapter powered by LED driver auxiliary output



Fixture adapter connected to LED driver and using power supply

FEATURE

- **Installation:** Factory Install - Sensor integral to fixture, lens external
- **Commissioning:** Wirelessly through ALS Control Mobile App (iOS / Android)
- **Certification:** DLC 5.1 Networked Lighting Control System
- **Control:** Hold time, High-Low setting, continuous Bi-level dimming, manual/auto - on/off
- **Sensor:** Motion (Occupancy/Vacancy/Manual) and Daylight
- **Zone Control:** Zoning and Grouping control, Scheduling

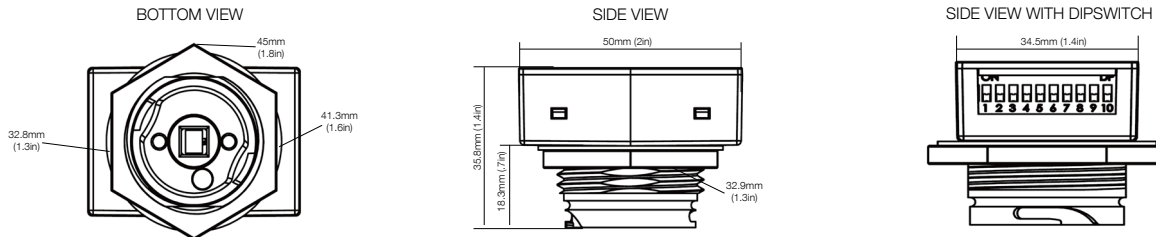


SPECIFICATIONS

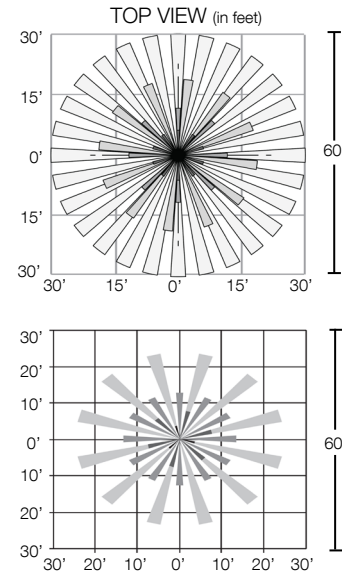
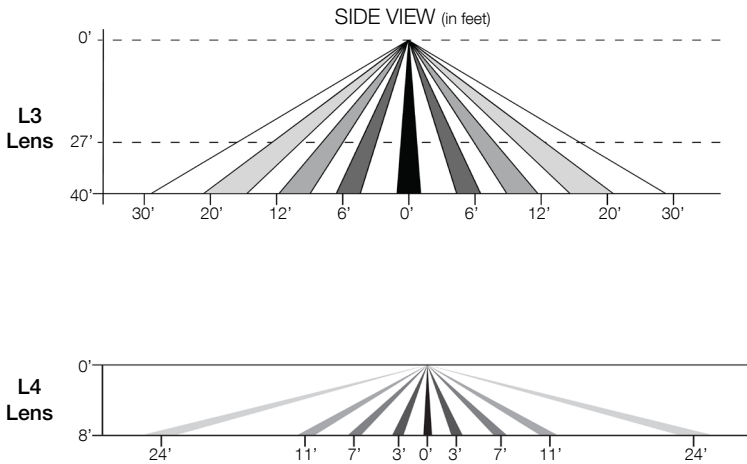
SENSOR TYPE: Passive Infrared Sensor (PIR)
WIRELESS STANDARDS: Bluetooth SIG Mesh
INPUT VOLTAGE: 12-24VDC, >50mA
CONTROL OUTPUT: 0-10V
OPERATING TEMP: -40°F ~ +158°F (-40°C ~ +70°C)

COMMISSIONING RANGE: 50FT
BLUETOOTH RANGE: Integral antenna up to 100FT
DETECTION ANGLE: Vertical 90° x Horizontal 360°
MOUNTING HEIGHT: 8 - 40FT
WARRANTY: 5 years
IP RATING: IP65

DIMENSIONS



COVERAGE PATTERNS



ORDER CODE **EXAMPLE: SENSOR-BLE-619-L3**

A SERIES

SENSOR-BLE-619-L Integral PIR ALS Control Bluetooth Sensor 12VDC Input

B LENS

Code	Mounting	Coverage
3	40FT	30FT Radius
4	8FT	24FT Radius