



LHBA SERIES SELECTABLE LINEAR BAY LIGHT

Client:
Project:
Type:
Quantity:

CONSTRUCTION

Full body steel housing constructed for shipment and job site durability.
Channel includes top and side knockouts for simple and accessible wiring.

OPTICS

>95% efficiency optical grade polycarbonate diffused lens for wide distribution.

ELECTRICAL

80+ CRI LED.
-40°C up to 55°C (-40°F up to 131°F) maximum operating temperature.
60,000 hr LEDs at L70 @ 40°C.
50/60Hz, <20% THD, >.9 Power Factor. 50,000 hr rated electronic driver.
Driver operates at 120-277V input, 0-10V dimmable driver, down to 10%.
Lumen Output / CCT Selectable on unit. Optional 347/480V input.
Optional dimming sensor for occupancy and ambient light level detection.

SENSORS (OPTIONAL)

SENSOR-819-O1 End mount on/off motion sensor lowbay lens.
SENSOR-819-O2 End mount on/off motion sensor highbay lens.
SENSOR-819-D1 End mount programmable motion and photocell sensor lowbay lens.
SENSOR-819-D2 End mount programmable motion and photocell sensor highbay lens.
SENSOR-BLE-819 End mount ALS CONTROL bluetooth on/off motion sensor lowbay lens.
SENSOR-ANT-6-4T - Plug-N-Play PIR on/off/dimming/photosensing (40FT MH).
SENSOR-ANT-6-4T-H - Plug-N-Play PIR on/off/dimming/photosensing (50FT MH).
SENSOR-BLE-6-4T - Plug-N-Play PIR ALS Control Bluetooth/on/off/dimming (40FT MH).
SENSOR-BLE-6-4T-H - Plug-N-Play PIR ALS Control Bluetooth/on/off/dimming (50FT MH).
"-EM" - Compatible with Emergency Battery (Auto-bypass)
CONTROL-LVFA AVI-ON Bluetooth Mesh Controller.

MOUNTING

Adjustable aircraft cable hanger as standard mounting.

STANDARD FINISH

All metal parts are post painted after fabrication with polyester powder coat paint with 90% reflectance.

CERTIFICATION

Meets Buy America Act requirements.
All luminaires are built to UL1598 standards for damp location and bear appropriate cULus labels.
For Emergency application, equipment with UL924 certified battery packs.
DLC® Premium (DesignLights Consortium Qualified).

WARRANTY

5 year warranty, see Limited Warranty for additional information.



LHBA-210SC



LHBA-210SC

SHIPPING DATA

Product	Measurement	Weight
LHBA-210SC	24"L x 10"W x 2"H	7 lb



LHBA SERIES SELECTABLE LINEAR BAY LIGHT

ORDER INFORMATION					EXAMPLE: LHBA 210 SC FL CK WH UD		
Fixture	Series	Power & LM	CCT	Distribution	Mount	Finish	Input
	LHBA	210	SC	FL	CK	WH	

A SERIES

LHBA Linear Bay Light Selectable

B POWER & LM

Code	Power	LM	LPW
210	90 / 130 / 180 / 210W Field Selectable	12,700 ~ 30,600 lm	158 ~ 142

C CCT

SC 4000K / 5000K Field Selectable

D DISTRIBUTION

FL Diffused Lens

E MOUNT

CK 6FT Adjustable Aircraft Cable Hanging Kit (standard)

F FINISH

WH White

G INPUT

UD	120-277V, 0-10V Dimmable with 12V ANT Sensor Receptacle
HD	347-480V, 0-10V Dimmable with 12V ANT Sensor Receptacle

LHBA SERIES SELECTABLE LINEAR BAY LIGHT

ORDER INFORMATION (CONTINUED)

Accessories
 Options

G ACCESSORIES/OPTIONS

BAA	Assembled in America, compliant with BAA (COTS)
WIREGUARD-LHB-B	Wireguard
EMB-H15260**	90-Minute Self-Diagnostic Emergency Battery 15W 100-277VAC Input 170VDC Output
EMB-H40170**	90-Minute Self-Diagnostic Emergency Battery 18W 100-347VAC Input 170VDC Output
EMB-H40500**	90-Minute Self-Diagnostic Emergency Battery 18W 347-487VAC Input 500VDC Output
SENSOR-ANT-6-4T*	Plug-N-Play PIR on/off/dimming/photosensing up to 40FT MH
SENSOR-ANT-6-4T-EM*	Plug-N-Play PIR on/off/dimming/photosensing for EMB application up to 40FT MH
SENSOR-ANT-6-4T-H*	Plug-N-Play PIR on/off/dimming/photosensing up to 50FT MH
SENSOR-ANT-6-4T-H-EM*	Plug-N-Play PIR on/off/dimming/photosensing for EMB application up to 50FT MH
SENSOR-BLE-6-4T*	Plug-N-Play Bluetooth on/off/dimming/Daylight Harvesting Sensor (ALS Control Mobile App)
SENSOR-BLE-6-4T-EM*	Plug-N-Play Bluetooth on/off/dimming/Daylight Harvesting Sensor (ALS Control Mobile App) for EMB application
SENSOR-BLE-6-4T-H*	Plug-N-Play Bluetooth on/off/dimming/Daylight Harvesting Sensor (ALS Control Mobile App) up to 50FT MH
SENSOR-BLE-6-4T-H-EM*	Plug-N-Play Bluetooth on/off/dimming/Daylight Harvesting Sensor (ALS Control Mobile App) for EMB application up to 50FT MH
SENSOR-819-__*	End mount on/off motion sensor O1: Lowbay lens O2: Highbay Lens (120-277V)
SENSOR-819-__*	End mount programmable motion and photocell sensor D1: Lowbay lens D2: Highbay Lens (120-277V, 0-10V Dimming)
SENSOR-BLE-819-L1*	End Mount PIR Bluetooth Daylight Harvesting Sensor (ALS Control Mobile App) / L1: up to 20FT
CONTROL-LVFA*	AVI-ON Bluetooth Mesh Control System
REMOTE-RC100	Handheld Remote Commissioning Tool for SENSOR-819-D1/D2 Only, ANT Series
-CORD	18-3 300V cord (Specify length)
-PLUG	18-3 300V 6 Foot Cord and 3 Prong Plug
TWIST-LOCK	Specify Plug Type: L515P / L715P / HBL5929 / L8-20P

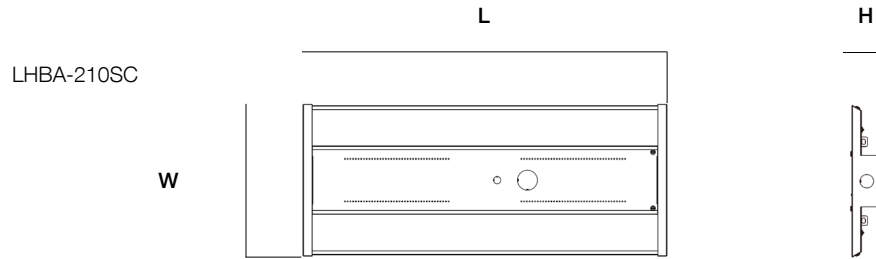
*see page 6 for sensor spec

**see page 7 for emb spec

LHBA SERIES SELECTABLE LINEAR BAY LIGHT

DIMENSIONS

Model	L	W	H
LHBA-210SC	23.62" (600mm)	9.84" (250mm)	1.75" (44mm)





LHBA SERIES SELECTABLE LINEAR BAY LIGHT

PERFORMANCE DATA

SYSTEM WATTS	VOLTAGE	4000K / 5000K		QTY ON PALLET
		LUMENS	LPW	
90W	120-277V	14220	158	200
130W	120-277V	20150	155	200
180W	120-277V	25380	141	200
210W	120-277V	29820	142	200

DLC CODE

Part Number	DLC Part Nnumber	DLC Class
LHBA - 210 SC FL WH UD	S-T6MHQY	Standard

LHBA SERIES SELECTABLE LINEAR BAY LIGHT

SENSOR SPEC

Model	Type	Mounting	Coverage	Input	Function	Programmable
SENSOR-ANT-6-4T SENSOR-ANT-6-4T-EM	PIR	up to 40FT	30FT radius	12V DC	On/Off/Dimming	REMOTE-RC100
SENSOR-BLE-6-4T SENSOR-BLE-6-4T-EM (see page 9 for detail)	PIR	up to 40FT	30FT radius	12V DC	Bluetooth Mesh On/Off/Dimming Daylight Harvesting	ALS Control Bluetooth Mobile App
SENSOR-ANT-6-4T-H* SENSOR-ANT-6-4T-H-EM	PIR	up to 50FT	30FT radius	12V DC	On/Off/Dimming	REMOTE-RC100
SENSOR-BLE-6-4T-H* SENSOR-BLE-6-4T-H-EM	PIR	up to 50FT	30FT radius	12V DC	Bluetooth Mesh On/Off/Dimming Daylight Harvesting	ALS Control Bluetooth Mobile App
SENSOR-819-O1 SENSOR-819-O2	PIR	20FT 40FT	30FT radius 30FT radius	Universal	On/Off	REMOTE-RC100
SENSOR-819-D1 SENSOR-819-D2	PIR	20FT 40FT	30FT radius 30FT radius	Universal	On/Off/Dimming	REMOTE-RC100
SENSOR-BLE-819 (see page 10 for detail)	PIR	L1 - 20FT L2 - 40FT	30FT radius 30FT radius	Universal	Bluetooth Mesh On/Off/Dimming Daylight Harvesting	ALS Control Bluetooth Mobile App
CONTROL-LVFA (see page 8 for detail)	Fixture Controller	-	-	12V DC	Bluetooth Mesh On/Off/Dimming Scheduling	AVI-ON Bluetooth Mobile App



SENSOR-ANT-6-4T
 SENSOR-ANT-6-4T-EM
 SENSOR-BLE-6-4T
 SENSOR-BLE-6-4T-EM
 SENSOR-BLE-6-4T-H
 SENSOR-BLE-6-4T-EM-H



SENSOR-819-XX
 SENSOR-BLE-819

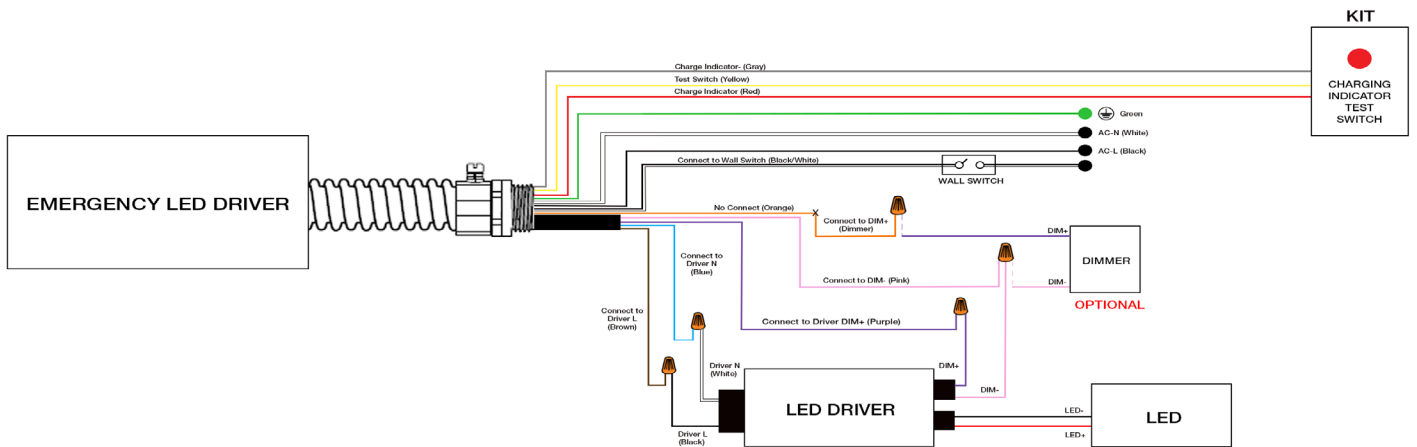


CONTROL-LVFA

LHBA SERIES SELECTABLE LINEAR BAY LIGHT

EMB SPEC

Model	Battery Capacity	Input	Output	Output Power	Operating Temp	Installation
EMB-H15260	90mins	100-277VAC	90-260VDC	15W	0°C ~ 50°C 32°F ~ 122°F	Factory or Field Install
EMB-H40170	90mins	100-347VAC	170VDC	40W	0°C ~ 50°C 32°F ~ 122°F	Factory or Field Install
EMB-H40500	90mins	347-480VAC	310~500VDC	40W	0°C ~ 50°C 32°F ~ 122°F	Factory or Field Install



LHBA SERIES SELECTABLE LINEAR BAY LIGHT

CONTROL-LVFA SPEC

Status LEDs & Config Button

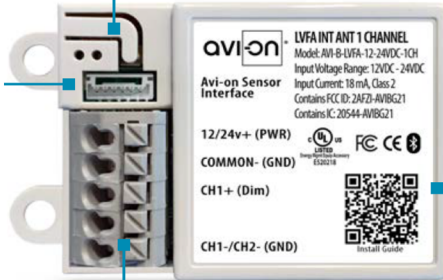
Quick and easy validation of wiring and network

Direct Connect™ Sensor Port

Simple and cost-effective addition to Avi-on sensors

Terminal Blocks & Mounting Tabs

Faster, easier and lower cost installation eliminating connectors



Internal Antenna

Improved performance and eliminates risk of accidentally cutting a hanging wire

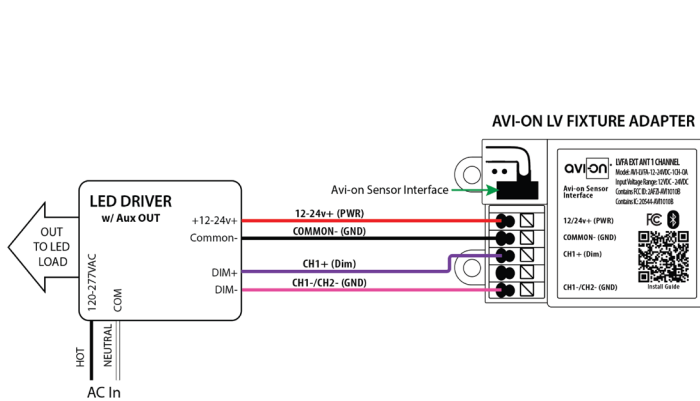
SPECIFICATIONS

INPUT VOLTAGE: 12-24VDC
CURRENT: 15mA without a Sensor
 19mA with a DC PIR Sensor
 48mA with a DC Microwave Sensor
0-10V DIMMING: 12-24VDC
SIZE: 2.30in x 1.43in x 0.75in
 (58.2mm x 36.4mm x 19mm)
MOUNTING: Removable mounting tabs
WEIGHT: 0.45 oz (16g)
OPERATING TEMP: -22°F to +158°F (-30°C to + 70°C)

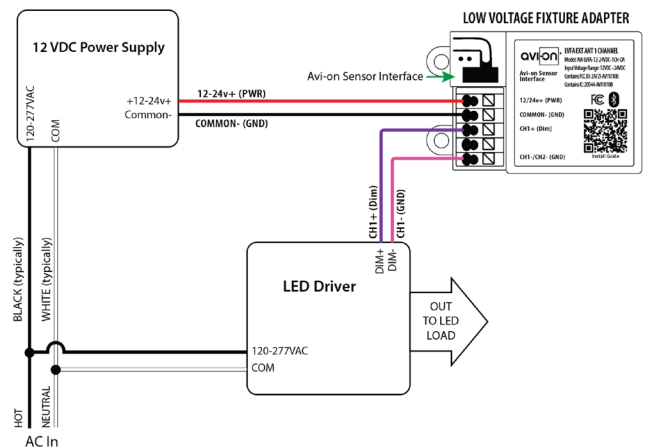
RADIO FREQUENCY: 2.4GHz
WIRELESS STANDARD: BLE 4.2 with Mesh
POINT TO POINT RANGE*: 80ft with obstructions
 350ft unobstructed
SECURITY: AES 128-bit encryption for device to device communication
 AES 256-bit encryption for device to cloud communication
WARRANTY: 5 years; 10 years optional
REGULATORY: FCC: 2AFZ1-AV11010 B
 IC: 20544-AV11010 B
 BQB: D031801, DID: 86303
 UL 916, 2043 (Plenum Rated)

*When communicating through the mesh, range is essentially unlimited (5000ft+)

WIRING DIAGRAM



Fixture adapter powered by LED driver auxiliary output



Fixture adapter connected to LED driver and using power supply

FEATURE

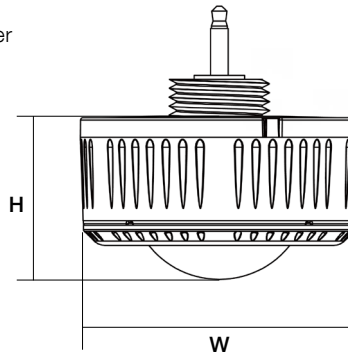
- **Installation:** Plug-N-Play via AUX socket on attached fixture
- **Commissioning:** Wirelessly through ALS Control Mobile App (iOS / Android)
- **Certification:** DLC 5.1 Networked Lighting Control System
- **Control:** Hold time, High-Low setting, continuous Bi-level dimming, Code-compliant manual-on or auto-off capability
- **Sensor:** Motion (Occupancy/Vacancy/Manual) and Daylight Harvesting
- **Room and Zone Control:** Zoning and Grouping control, Scheduling



SPECIFICATIONS

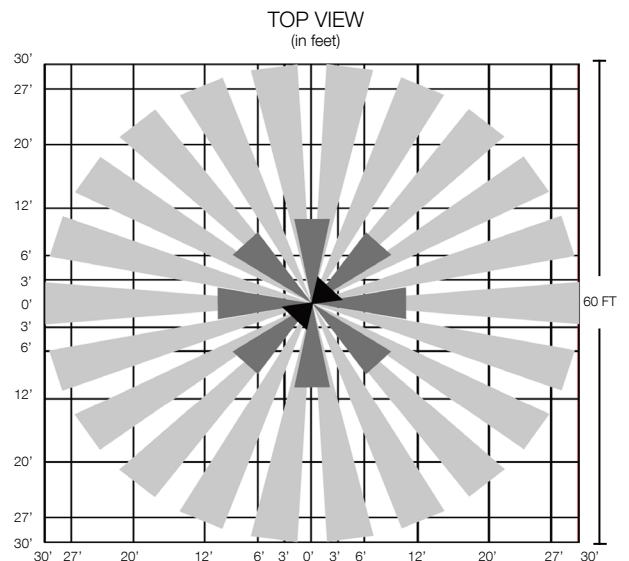
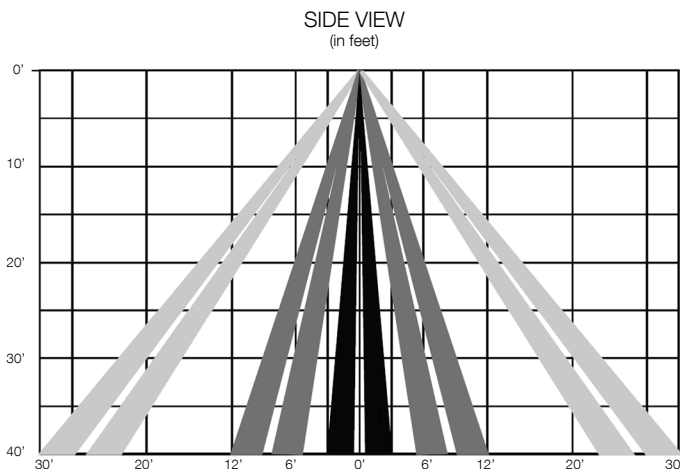
SENSOR TYPE:	Passive Infrared Sensor (PIR)
WIRELESS STANDARDS:	5.0 Bluetooth Mesh
STANDARD OPTION:	SENSOR-BLE-6-4T
EMB OPTION:	SENSOR-BLE-6-4T-EM (Designed for fixtures with emergency kit. When the voltage power is off, the sensor will stop working.)
INPUT VOLTAGE:	12-24VDC, >50mA
CONTROL OUTPUT:	0-10V
OPERATING TEMP:	-4°F ~ +140°F (-20°C ~ +60°C)
COMMISSIONING RANGE:	50FT
BLUETOOTH RANGE:	164FT
DETECTION ANGLE:	360°
MOUNTING HEIGHT:	Up to 40FT
WARRANTY:	5 years
IP RATING:	IP65
FACTORY DEFAULT SETTINGS:	100% Brightness for 5 min Dim Down to 30% Hold for 10 min Turn Off

DIMENSIONS



H	W
1.03" (26.2mm)	2.17" (55mm)

COVERAGE PATTERNS



ORDER CODES

- SENSOR-BLE-6-4T** "Plug-N-Play" Integral Bluetooth Daylight Harvesting Sensor (ALS Control Mobile App) up to 40FT MH.
- SENSOR-BLE-6-4T-EM** "Plug-N-Play" Integral Bluetooth Daylight Harvesting Sensor (ALS Control Mobile App) up to 40FT MH w/ EMB.
- SENSOR-BLE-6-4T-H** "Plug-N-Play" Integral Bluetooth Daylight Harvesting Sensor (ALS Control Mobile App) up to 50FT MH.
- SENSOR-BLE-6-4T-H-EM** "Plug-N-Play" Integral Bluetooth Daylight Harvesting Sensor (ALS Control Mobile App) up to 50FT MH w/ EMB.



FEATURE

- **Installation:** Factory or Field Install End Mount to Fixture
- **Commissioning:** Wirelessly through ALS Control Mobile App (iOS / Android)
- **Certification:** DLC 5.1 Networked Lighting Control System
- **Control:** Hold time, High-Low setting, continuous Bi-level dimming, Code-compliant manual-on or auto-off capability
- **Sensor:** Motion (Occupancy/Vacancy/Manual) and Daylight Harvesting
- **Room and Zone Control:** Zoning and Grouping control, Scheduling

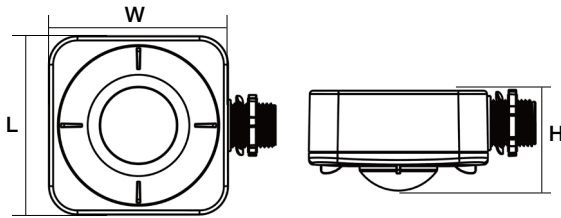


SPECIFICATIONS

SENSOR TYPE: Passive Infrared Sensor (PIR)
WIRELESS STANDARDS: Bluetooth SIG Mesh
INPUT VOLTAGE: 120/277VAC
CONTROL OUTPUT: 0-10V
OPERATING TEMP: -40°F ~ +167°F (-40°C ~ +75°C)

COMMISSIONING RANGE: 50FT
BLUETOOTH RANGE: Intergral antenna up to 100FT
DETECTION ANGLE: Vertical 90° x Horizontal 360°
MOUNTING HEIGHT: 8 - 40FT
WARRANTY: 5 years
IP RATING: IP20 Damp

DIMENSIONS



L	W	H
3.19" (81mm)	4.02" (102mm)	1.70" (43.3mm)

COVERAGE PATTERNS

