

## WRA SERIES HALF DOME WALL PACK

### CONSTRUCTION

Die-cast aluminum housing provides durable, high-quality construction and is designed for effective heat dissipation to support reliable LED operation and long service life. Fixture is IP65 rated for wet-location outdoor applications.

### OPTICS

UV-stabilized polycarbonate lens provides durable optical protection. Field-selectable optical distribution with Type II, Type III, or Type IV patterns (T2/T3/T4) adjustable. CCT and output selectable between 3000K ~ 5000K via DIP switch configuration.

### ELECTRICAL

80+ CRI Lumileds LED.  
-40°C up to 45°C (-40°F up to 113°F) maximum operating temperature.  
150,000hr LED at L70 @ 25°C, 120,000hr LED at L70 @ 40°C.  
Driver operates at 120-277V input, 50/60Hz, <15% THD, 0.9 power factor >90%.  
0-10V dimming driver, button photocontrol standard included.  
Three adjustable Wattage levels available for each model.  
Optional 10kV surge protector.  
Optional Self-Diagnostic emergency back up.

### SENSORS (OPTIONAL)

SENSOR-BLE-6-4T Plug-N-Play PIR ALS Control Bluetooth/on/off/dimming/photosensing.  
SENSOR-ANT-6-4T Plug-N-Play PIR on/off/dimming/photosensing.  
CONTROL-BLE-SK104-PH I Integral Bluetooth Fixture Controller w/ Button Photocell (ALS Control Mobile App)  
CONTROL-LVFA AVI-ON Bluetooth Mesh Controller.

### MOUNTING

Wall mount over electrical box or via surface conduit.

### STANDARD FINISH

Corrosion resistant Dark Bronze powder coating finish.

### CUSTOM FINISH

Black, Graphite Metallic, Gray, Silver, and White, or custom RAL#

### CERTIFICATION

IP65 Wet Location listed.  
Meets Buy America Act requirements.  
All luminaires are built to UL1598 standards and bear appropriate cULus labels.  
For Emergency application, equipped with UL924 certified battery packs.  
DLC® Premium (DesignLights Consortium Qualified) listed.

### WARRANTY

5 year warranty, see Limited Warranty for additional information.



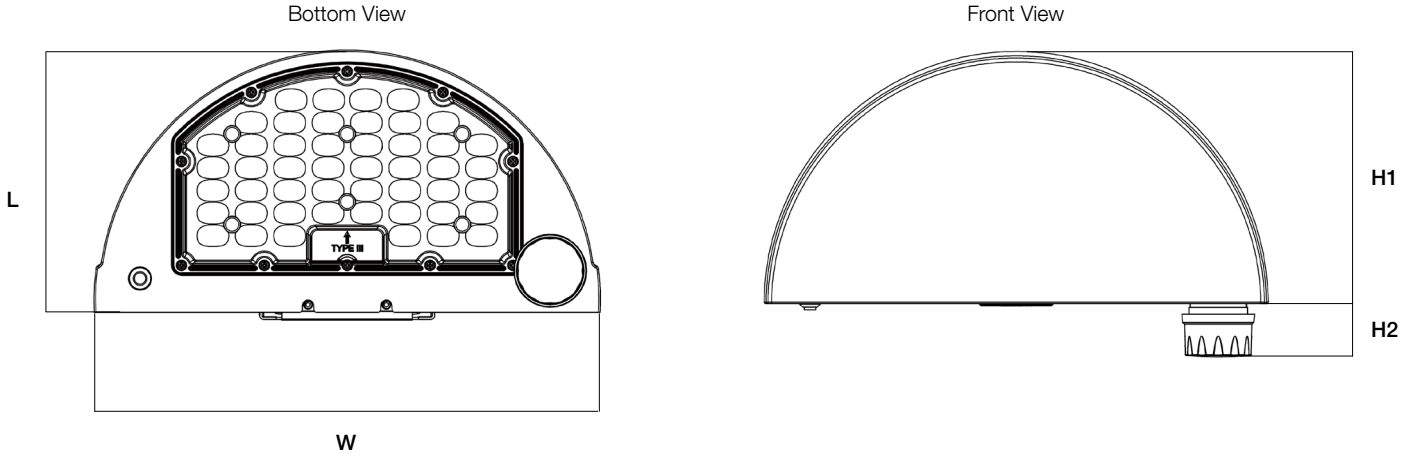
**WRA SERIES HALF DOME WALL PACK**

ORDER INFORMATION				EXAMPLE: WRA 80 SC DB UNLV P			
Fixture	Series	Power & LM	CCT	Distribution	Finish	Input	Sensor
	WRA		SC	FA			P
Accessories Options							
<b>A SERIES</b>							
WRA	Half Dome Wall Pack						
<b>B POWER &amp; LM</b>							
Code	Power	LM					
40	Field Selectable 24W / 32W / 40W	3,825lm ~ 6,587lm					
80	Field Selectable 48W / 64W / 80W	6,480lm ~ 13,052lm					
<b>C CCT</b>							
SC	Field Selectable: 3000K / 4000K / 5000K						
<b>D DISTRIBUTION</b>							
FA	Field Selectable Distribution: Type II / Type III / Type IV						
<b>E FINISH</b>							
Standard							
DB	Dark Bronze						
Custom Color							
CC	BK	Black	GM	Graphite Metallic	GR	Gray	
	SV	Silver	WH	White	RAL#		
<b>F INPUT</b>							
UNVD-P	120-277V, 0-10V Dimming, with Photocell						
HVLD-P	347-480V, 0-10V Dimming, with Photocell						
<b>G ACCESSORIES/OPTIONS</b>							
BAA	Assembled in America, compliant with BAA (COTS)						
SENSOR-ANT-6-4T*	Plug-N-Play PIR on/off/dimming/photosensing up to <b>40FT MH</b>						
SENSOR-ANT-6-4T-EM*	Plug-N-Play PIR on/off/dimming/photosensing for <b>EMB application</b> up to <b>40FT MH</b>						
REMOTE-RC100	Handheld Remote Commissioning Tool for SENSOR-ANT (1 per job)						
SENSOR-BLE-6-4T*	Plug-N-Play Bluetooth on/off/dimming/Daylight Harvesting Sensor (ALS Control Mobile App)						
SENSOR-BLE-6-4T-EM*	Plug-N-Play Bluetooth on/off/dimming/Daylight Harvesting Sensor (ALS Control Mobile App) for EMB application						
SURGE-LSP4-U / H	10kV inline Surge Protection for Universal input / <b>U</b> : 120-277V, <b>H</b> : 480V input						
CONTROL-BLE-SK104-PH*	Integral Bluetooth Fixture Controller w/Button Photocell (ALS Control Mobile App)						
CONTROL-LVFA*	AVI-ON Bluetooth Mesh Control System						
EMB-8W-B**	90-Minute Self-Diagnostic Emergency Battery 8W 100-347VAC Input 170VDC Output						
EMB-18W-B**	90-Minute Self-Diagnostic Emergency Battery 18W 100-347VAC Input 170VDC Output*						
EMB-18W-C-B**	90-Minute Self-Diagnostic Emergency Battery 18W 100-347VAC Input 170VDC Output -20°C-50°C (-4°F-122°F)*						
	*see page 5 for sensor spec		*EMB-18W batteries are compatible w/ model WRA-80 only.				
	**see page 6 for emb spec						

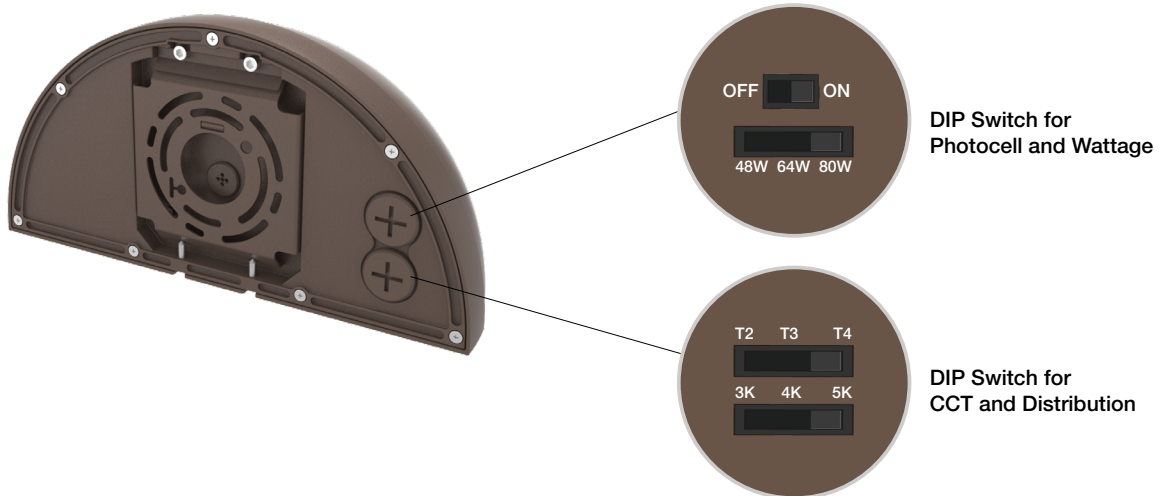
**WRA SERIES HALF DOME WALL PACK**

**DIMENSIONS**

Model	L	W	H1	H2
WRA-40 / -80	6.89" (175mm)	13" (330mm)	6.49" (165mm)	1.37" (35mm)



**CCT / WATTAGE SELECTABLE**



**WRA SERIES HALF DOME WALL PACK**

**PERFORMANCE DATA / DLC CODE**

MODEL	SYSTEM WATTS	LUMEN	LPW	DLC PRODUCT ID / ORDER CODE	DLC CLASS
WRA-40	24W	3960	165	pending	DLC 5.1 Premium
	32W	5280			
	40W	6600			
WRA-80	48W	7920	165	pending	DLC 5.1 Premium
	64W	10560			
	80W	13200			

**WRA SERIES HALF DOME WALL PACK**

**SENSOR SPEC**

Model	Type	Mounting	Coverage	Input	Function	Programmable
CONTROL-LVFA (see page 7 for detail)	Fixture Controller	-	-	12V DC	Bluetooth Mesh On/Off/Dimming Scheduling	AVI-ON Bluetooth Mobile App
CONTROL-BLE-SK104-PH (see page 8 for detail)	Fixture Controller	-	-	12V DC	Bluetooth Mesh On/Off/Dimming Scheduling CCT Tuning	AVI-ON Bluetooth Mobile App
SENSOR-ANT-6-4T SENSOR-ANT-6-4T-EM (see page 9 for detail)	PIR	up to 40FT	30FT radius	12V DC	On/Off/Dimming	REMOTE-RC100
SENSOR-BLE-6-4T SENSOR-BLE-6-4T-EM (see page 11 for detail)	PIR	up to 40FT	30FT radius	12V DC	Bluetooth Mesh On/Off/Dimming Daylight Harvesting	ALS Control Bluetooth Mobile App



CONTROL-LVFA



CONTROL-BLE-SK104-PH

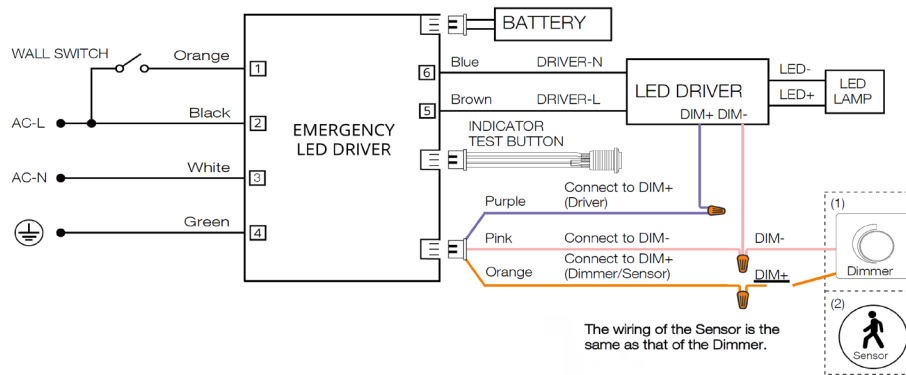


SENSOR-ANT-6-4T  
 SENSOR-ANT-6-4T-EM  
 SENSOR-BLE-6-4T  
 SENSOR-BLE-6-4T-EM

**WRA SERIES HALF DOME WALL PACK**

**EMB SPEC**

Model	Battery Capacity	Input	Output	Output Power	Operating Temp	Installation
EMB-8W-B	90mins	100-347VAC	170VDC	8W	0°C ~ 50°C 32°F ~ 122°F	Factory or Field Install
EMB-18W-B	90mins	100-347VAC	170VDC	18w	0°C ~ 50°C 32°F ~ 122°F	Factory or Field Install
EMB-18W-C-B	90mins	100-347VAC	170VDC	18w	-20C ~ 50C -4°F ~ 122°F	Factory or Field Install



**WRA SERIES HALF DOME WALL PACK**

**CONTROL-LVFA SPEC**

**Status LEDs & Config Button**

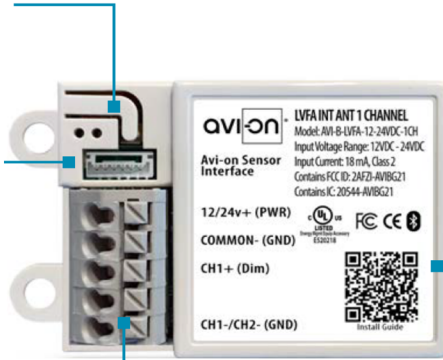
Quick and easy validation of wiring and network

**Direct Connect™ Sensor Port**

Simple and cost-effective addition to Avi-on sensors

**Terminal Blocks & Mounting Tabs**

Faster, easier and lower cost installation eliminating connectors



**Internal Antenna**

Improved performance and eliminates risk of accidentally cutting a hanging wire

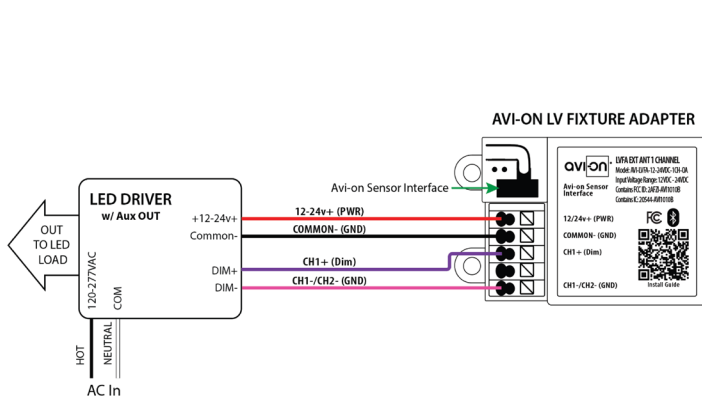
**SPECIFICATIONS**

**INPUT VOLTAGE:** 12-24VDC  
**CURRENT:** 15mA without a Sensor  
 19mA with a DC PIR Sensor  
 48mA with a DC Microwave Sensor  
**0-10V DIMMING:** 12-24VDC  
**SIZE:** 2.30in x 1.43in x 0.75in  
 (58.2mm x 36.4mm x 19mm)  
**MOUNTING:** Removable mounting tabs  
**WEIGHT:** 0.45 oz (16g)  
**OPERATING TEMP:** -22°F to +158°F (-30°C to + 70°C)

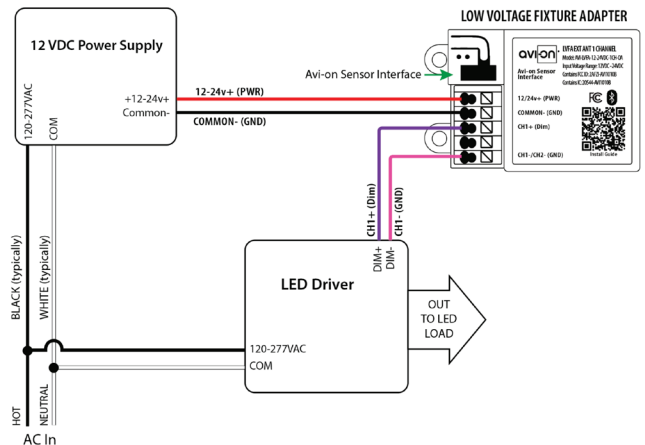
**RADIO FREQUENCY:** 2.4GHz  
**WIRELESS STANDARD:** BLE 4.2 with Mesh  
**POINT TO POINT RANGE\*:** 80ft with obstructions  
 350ft unobstructed  
**SECURITY:** AES 128-bit encryption for device to device communication  
 AES 256-bit encryption for device to cloud communication  
**WARRANTY:** 5 years; 10 years optional  
**REGULATORY:** FCC: 2AFZI-AVI1010 B  
 IC: 20544-AVI1010 B  
 BQB: D031801, DID: 86303  
 UL 916, 2043 (Plenum Rated)

\*When communicating through the mesh, range is essentially unlimited (5000ft+)

**WIRING DIAGRAM**



Fixture adapter powered by LED driver auxiliary output



Fixture adapter connected to LED driver and using power supply

**FEATURE**

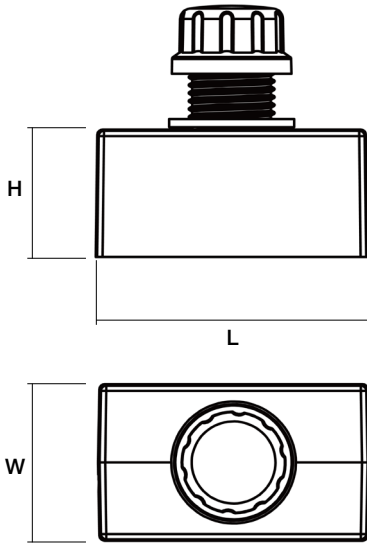
- **Installation:** Factory / Jobsite install through 1/2" knockout hole, 12V AUX power required
- **Commissioning:** Wirelessly through ALS Control Mobile App (iOS / Android)
- **Certification:** DLC 5.1 Networked Lighting Control System
- **Control:** High-End Trim, Zoning, Continuous Bi-level Dimming
- **CCT Tuning:** CCT Tuning feature for Dual/Multi-CCT LED board fixture only
- **Sensor:** Photocell
- **Zone Control:** Zoning and Grouping control, Scheduling



**SPECIFICATIONS**

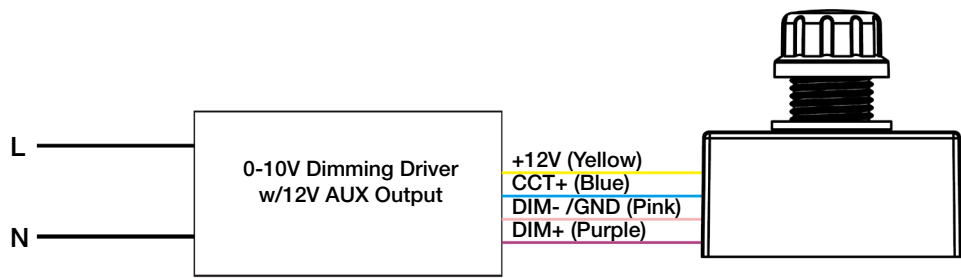
<b>SENSOR TYPE:</b>	Photocell
<b>WIRELESS STANDARDS:</b>	5.0 Bluetooth Mesh
<b>INPUT VOLTAGE:</b>	12-14VDC, >50mA
<b>CONTROL OUTPUT:</b>	0-10V
<b>OPERATING TEMP:</b>	-40°F ~ +158°F (-40°C ~ +70°C)
<b>COMMISSIONING RANGE:</b>	50FT
<b>BLUETOOTH RANGE:</b>	100FT
<b>DETECTION ANGLE:</b>	360°
<b>WARRANTY:</b>	5 years
<b>IP RATING:</b>	IP65

**DIMENSIONS**



L	H	W
1.14" (29mm)	0.94" (24mm)	1.97" (50mm)

**WIRING DIAGRAM**



**FEATURE**

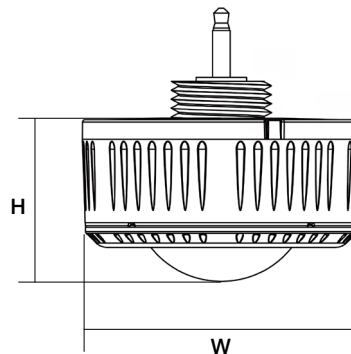
- **Installation:** Plug-N-Play via AUX Socket on Attached Fixture
- **Commissioning:** through Remote Control
- **Control:** Hold time, High-Low setting, Continuous Bi-Level Dimming, Code-Compliant Manual-On or Auto-Off Capability
- **Sensor:** Motion (Occupancy/Vacancy/Manual) and Daylight



**SPECIFICATIONS**

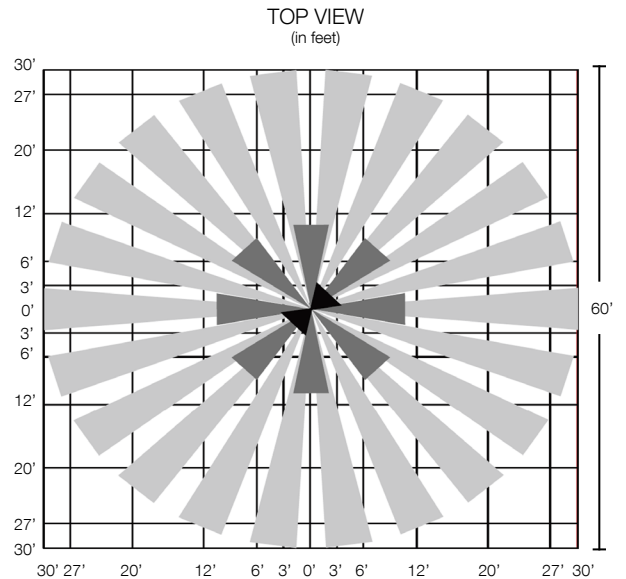
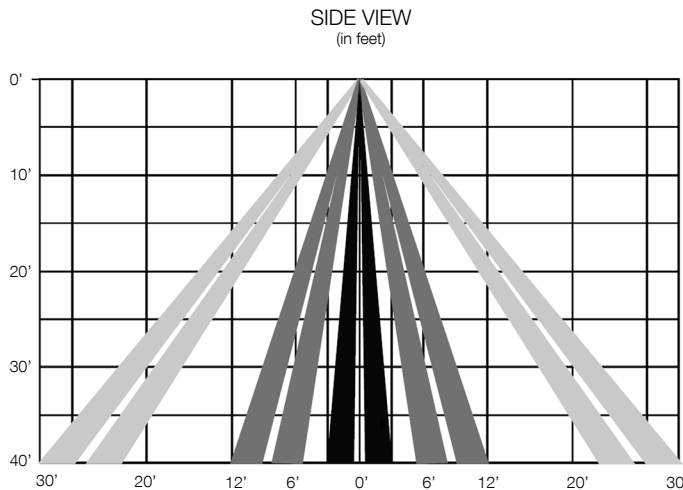
- SENSOR TYPE:** Passive Infrared Sensor (PIR)  
**STANDARD OPTION:** SENSOR-ANT-6-4T  
**EMB OPTION:** SENSOR-ANT-6-4T-EM  
 (Designed for fixtures with emergency kit. When the voltage power is off, the sensor will stop working.)  
**INPUT VOLTAGE:** 12-24VDC, >30mA  
**LIGHT CONTROL:** 10 ~ 50LUX  
**CONTROL OUTPUT:** 0-10V  
**OPERATING TEMP:** -4°F ~ +140°F (-20°C ~ +60°C)  
**COMMISSIONING RANGE:** 50FT from Remote Control  
**TIME SETTING:** 10sec ~ 60min (adjustable)  
**DETECTION ANGLE:** 360°  
**MOUNTING HEIGHT:** Up to 50FT.  
**WARRANTY:** 5 years  
**IP RATING:** IP65

**DIMENSIONS**



H	W
1.03" (26.2mm)	2.17" (55mm)

**COVERAGE PATTERNS**



**ORDER CODES**

- SENSOR-ANT-6-4T** Plug-N-Play PIR on/off/dimming/photosensing up to 40FT MH  
**SENSOR-ANT-6-4T-EM** Plug-N-Play PIR on/off/dimming/photosensing for EMB application up to 40FT MH  
**SENSOR-ANT-6-4T-H** Plug-N-Play PIR on/off/dimming/photosensing up to 50FT MH  
**SENSOR-ANT-6-4T-H-EM** Plug-N-Play PIR on/off/dimming/photosensing for EMB application up to 50FT MH



**FEATURE**

The Remote control wireless IR configuration tool is a handheld tool for remote configuration of IR-enabled fixture integrated sensors. The tool enables device to modify via push button and stores up to four sensor parameter modes to speed configuration of multiple sensors.

	PROGRAMMABLE	RESET
<b>COMPATIBLE SENSORS</b>	SENSOR-ANT-6-4T SENSOR-ANT-6-4T-EM SENSOR-ANT-6-4T-H SENSOR-ANT-6-4T-H-EM SENSOR-ANT-7 SENSOR-ANT-3C-B1 SENSOR-819-D1/D2 SENSOR-823 SENSOR-820	SENSOR-BLE-6-4T SENSOR-BLE-7 SENSOR-BLE-7D SENSOR-BLE-819 SENSOR-BLE-619 CONTROL-BLE-5-4T WALLSWITCH-BLE-101 WALLSWITCH-BLE-204



**Dimension**

L - 4.84" (123mm)  
W - 2.76" (70mm)  
H - .80" (20.3mm) Thickness

**SPECIFICATION**

**Carrying Case**

RC-100 in Carrying Case

**Commissioning Range**

Up to 50FT (15mm)

**Operating Temp**

32F ~ 122F (0°C ~ 50°C)

**Power**

2 x AAA 1.5V Alkaline batteries

**BRIGHTNESS**

Set output level (in 70%, 80%, 90%, or 100%) of connected lighting during occupancy.

**SENSITIVITY**

Set the sensitivity (in 20%, 50%, 75%, or 100%) of the occupancy sensor.

**HOLD TIME**

Set the time (in 10s, 1m, 5m, 10m, 16m, 20m, 30m, or 60m) that the fixture will hold at normal output after the space is vacant.

**DAYLIGHT SENSOR**

Set the threshold of natural light (in 10, 30, or 50) as setpoint to light on automatically for the sensor. If natural light is above the selected threshold, fixture will shut off. Set daylight (in 100, 300, 500) as setpoint to light off.

**STAND-BY DIM/TIME**

**DIM:** Set the output level (in 0%, 10%, 30%, or 50%) of the fixture during vacancy. This will only take place after Hold Time has elapsed.

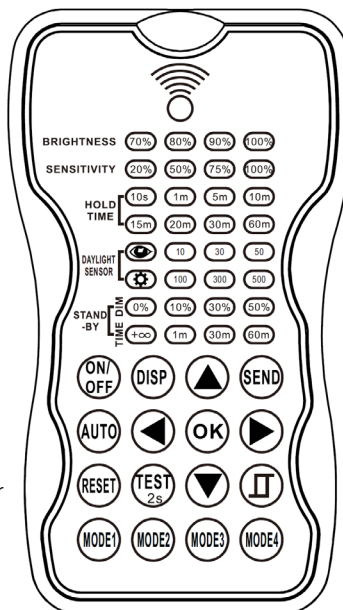
**TIME:** Set the time (+∞, 1m, 30m, or 50m) that the sensor will remain in stand-by mode before powering down.

**ON/OFF**

Use this to manually power a fixture on or off.

**AUTO**

Press Auto to engage/unlock a sensor. Press Auto, then press Display to show the sensors current setting parameters.



**DISPLAY**

Press to Display to view current setting parameters for each function. LED indicators will highlight current settings.

**DIRECTIONAL ARROWS**

Use the arrows to navigate the setting options by pressing up/down or left/right.

**SEND**

Press Send to upload displayed settings to individual sensor/fixture. The fixture will blink on and off to confirm new settings.

**SMART DAYLIGHT SENSOR**

Open and or close smart daylight sensor. Press up/down arrows buttons to enter setting condition, the parameters LEDs of remote control will flash to be selected.

**TEST**

Used to test sensitivity of occupancy sensing. Press Test, then the fixture will enter Test Mode, where Hold Time is only 2s. While Test Mode is active, Stand-By and Daylight sensing will be disabled. Press Auto to exit Test Mode.

**RESET**

Press Reset to put all parameters back to default settings.

**MODE**

Press the Mode # that you want to save. Use Directional Arrows to select new parameters. Press OK to confirm.

**FEATURE**

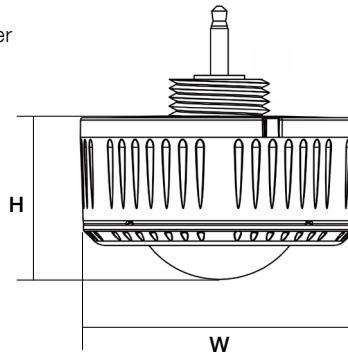
- **Installation:** Plug-N-Play via AUX socket on attached fixture
- **Commissioning:** Wirelessly through ALS Control Mobile App (iOS / Android)
- **Certification:** DLC 5.1 Networked Lighting Control System
- **Control:** Hold time, High-Low setting, continuous Bi-level dimming, Code-compliant manual-on or auto-off capability
- **Sensor:** Motion (Occupancy/Vacancy/Manual) and Daylight Harvesting
- **Room and Zone Control:** Zoning and Grouping control, Scheduling



**SPECIFICATIONS**

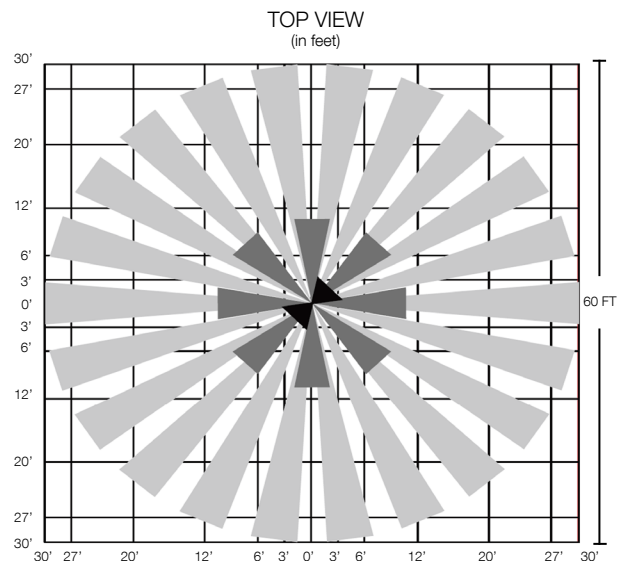
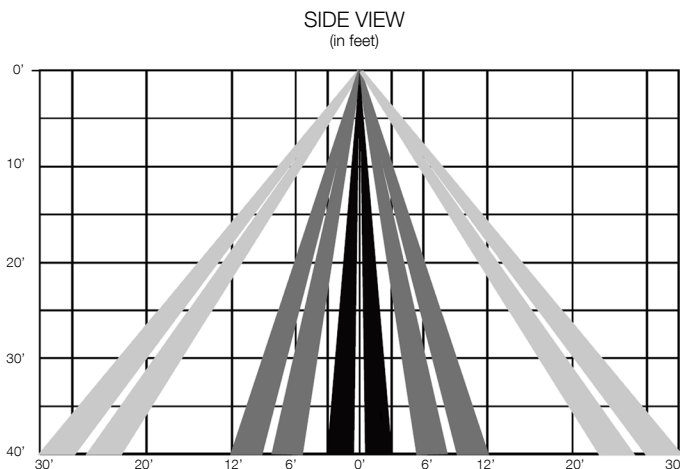
<b>SENSOR TYPE:</b>	Passive Infrared Sensor (PIR)
<b>WIRELESS STANDARDS:</b>	5.0 Bluetooth Mesh
<b>STANDARD OPTION:</b>	SENSOR-BLE-6-4T
<b>EMB OPTION:</b>	SENSOR-BLE-6-4T-EM (Designed for fixtures with emergency kit. When the voltage power is off, the sensor will stop working.)
<b>INPUT VOLTAGE:</b>	12-24VDC, >50mA
<b>CONTROL OUTPUT:</b>	0-10V
<b>OPERATING TEMP:</b>	-4°F ~ +140°F (-20°C ~ +60°C)
<b>COMMISSIONING RANGE:</b>	50FT
<b>BLUETOOTH RANGE:</b>	164FT
<b>DETECTION ANGLE:</b>	360°
<b>MOUNTING HEIGHT:</b>	Up to 40FT
<b>WARRANTY:</b>	5 years
<b>IP RATING:</b>	IP65
<b>FACTORY DEFAULT SETTINGS:</b>	100% Brightness for 5 min Dim Down to 30% Hold for 10 min Turn Off

**DIMENSIONS**



H	W
1.03" (26.2mm)	2.17" (55mm)

**COVERAGE PATTERNS**



**ORDER CODES**

- SENSOR-BLE-6-4T** "Plug-N-Play" Integral Bluetooth Daylight Harvesting Sensor (ALS Control Mobile App) up to 40FT MH.
- SENSOR-BLE-6-4T-EM** "Plug-N-Play" Integral Bluetooth Daylight Harvesting Sensor (ALS Control Mobile App) up to 40FT MH w/ EMB.
- SENSOR-BLE-6-4T-H** "Plug-N-Play" Integral Bluetooth Daylight Harvesting Sensor (ALS Control Mobile App) up to 50FT MH.
- SENSOR-BLE-6-4T-H-EM** "Plug-N-Play" Integral Bluetooth Daylight Harvesting Sensor (ALS Control Mobile App) up to 50FT MH w/ EMB.

