



## LPA SERIES G3 SELECTABLE BACKLIT PANEL

Client:  
Project:  
Type:  
Quantity:

### CONSTRUCTION

Low profile extruded aluminum frame, all corners are rounded for safe handling. Multiple wiring entrances on driver enclosure for easy access. The backplate includes integral T-bar clips for installation into T-grid ceilings.

### OPTICS

Backlit design provides exceptional lighting distribution. Frosted polystyrene lens offers edge to edge illumination without pixilation or bright spots.

### ELECTRICAL

80+ CRI.

Long-life, high-efficacy, micro-power LEDs, illumination for extended service life. Greater than 70% LED lumen maintenance at 100,000 hours (L70>100,000) based on IES LM-80 results and TM-21 calculations.

Selectable lumen and CCT technology allows easy field-adjustable capability. Special made 90CRI LED, consult factory.

Driver operates at 120-277V input, 0-10V dimmable driver, dim-to-off voltage threshold of optional 12V AUX integrated driver ranges from 0.1V to 0.5V.

### MOUNTING

Designed to accommodate lay-in ceilings, Slot T, and T-bar suspension system for 5/8" and 3/8" width. Built-in earthquake clips come standard.

Surface/cable mount applications, use surface/cable kit accessories.

Plaster or sheetrock installations, select flange kit.

Hard ceiling application, select hard ceiling kit.

### SENSORS (OPTIONAL)

SENSOR-BLE-7 Integral Microwave Bluetooth Wireless Motion/on/off/dimming/ photosensing.

SENSOR-ANT-7 Integral Microwave Motion/on/off/dimming/photosensing.

CONTROL-LVFA AVI-ON Bluetooth Mesh Controller.

CONTROL-BLE-620 Bluetooth Wireless Fixture Controller for CCT Tuning, Dimming, Grouping, Scheduling Features (ALS Control Mobile App)

### STANDARD FINISH

90% minimum average reflective white polyester powder coat bonded to phosphate-free, multi-stage pretreated metal. All parts painted after fabrication to facilitate installation, increase efficiency, and inhibit corrosion.

### CERTIFICATION

Meets Buy America Act requirements.

IC Rated, suitable for Damp location.

RoHS Compliant.

All luminaires are built to UL1598 standards and bear appropriate cULus labels.

For Emergency application, equipment with UL924 certified battery packs.

DLC® Standard (DesignLights Consortium Listed)

### WARRANTY

5 year warranty, see Limited Warranty for additional information.



### SHIPPING DATA

Product	Measurement	Weight
LPA-G3-1 (4-pack)	49"L x 13"W x 6"H	23 lb
LPA-G3-2 (4-pack)	26"L x 26"W x 6"H	20 lb
LPA-G3-4 (4-pack)	49"L x 26"W x 6"H	38 lb



**LPA SERIES G3 SELECTABLE BACKLIT PANEL**

**ORDER INFORMATION** **EXAMPLE: LPA G3 2 BACKLIT**

Fixture                      Series                      Model                      Finish                      Input

**LPA-G3**

Mounting

Accessories  
 Options

**A SERIES**

**LPA-G3**                      Selectable Lumen and CCT Panel, Generation 3

**B MODEL**

Code	Size	Power	CCT	lm/W (avg.)
<b>1-BACKLIT</b>	1x4	14W / 17W / 20W / 28W	3000K / 3500K / 4000K / 5000K / 6500K	148lm/W
<b>2-BACKLIT</b>	2x2	15W / 18W / 25W / 30W	3000K / 3500K / 4000K / 5000K / 6500K	151lm/W
<b>4-BACKLIT</b>	2x4	38W / 45W / 51W / 67W	3000K / 3500K / 4000K / 5000K / 6500K	155lm/W

**C FINISH**

**WH**                      White

**D INPUT**

**blank**                      120-277V, 10% 0-10V Dimming w/12V AUX Output    **UD1%**                      120-277V, 1% 0-10V Dimming w/12V AUX Output

**E MOUNTING**

<b>blank</b>	Standard lay-in
<b>MOUNT-LP-14-FGK</b>	1.52" Tall 1x4 Flange Kit (Plaster, Sheetrock or Drywall)
<b>MOUNT-LP-22-FGK</b>	1.52" Tall 2x2 Flange Kit (Plaster, Sheetrock or Drywall)
<b>MOUNT-LP-24-FGK</b>	1.52" Tall 2x4 Flange Kit (Plaster, Sheetrock or Drywall)
<b>MOUNT-LP-14-SMK</b>	4" Tall 1x4 Surface Mount Kit for LPA-1
<b>MOUNT-LP-22-SMK</b>	4" Tall 2x2 Surface Mount Kit for LPA backlit
<b>MOUNT-LP-24-SMK</b>	4" Tall 2x4 Surface Mount Kit for LPA backlit
<b>MOUNT-LP-PMK</b>	Aircraft Cable Pendant Mount

**F ACCESSORIES/OPTIONS**

<b>BAA</b>	Assembled in America, compliant with BAA (COTS)
<b>-C</b>	3/8" x 6FT Steel Flex 5-18AWG Solid 6' leads BLK/WH/GRN/PUR/PNK & 3/8" Die Cast Screw-In Locknut Connectors
<b>90CRI</b>	90CRI
<b>EMB-H08170*</b>	90-Minute Self-Diagnostic Emergency Battery 8W 100-347VAC Input 170VDC Output
<b>EMB-H18170*</b>	90-Minute Self-Diagnostic Emergency Battery 18W 100-347VAC Input 170VDC Output
<b>GTD-ESRLUD**</b>	Emergency Battery Generator Transfer Device 120-277 VAC Input
<b>SENSOR-BLE-7*</b>	Integral Microwave Bluetooth Wireless Bi-Level Motion Sensor (ALS Control Mobile App)
<b>SENSOR-ANT-7*</b>	Integral Microwave Bi-Level Motion Sensor
<b>CONTROL-LVFA*</b>	AVI-ON Bluetooth Mesh Control System
<b>CONTROL-BLE-620</b>	Bluetooth Wireless Fixture Controller for CCT Tuning, Dimming, Grouping, Scheduling Features (ALS Control Mobile App)
<b>REMOTE-RC100</b>	Handheld Remote Commissioning Tool for SENSOR-ANT (1 per job)

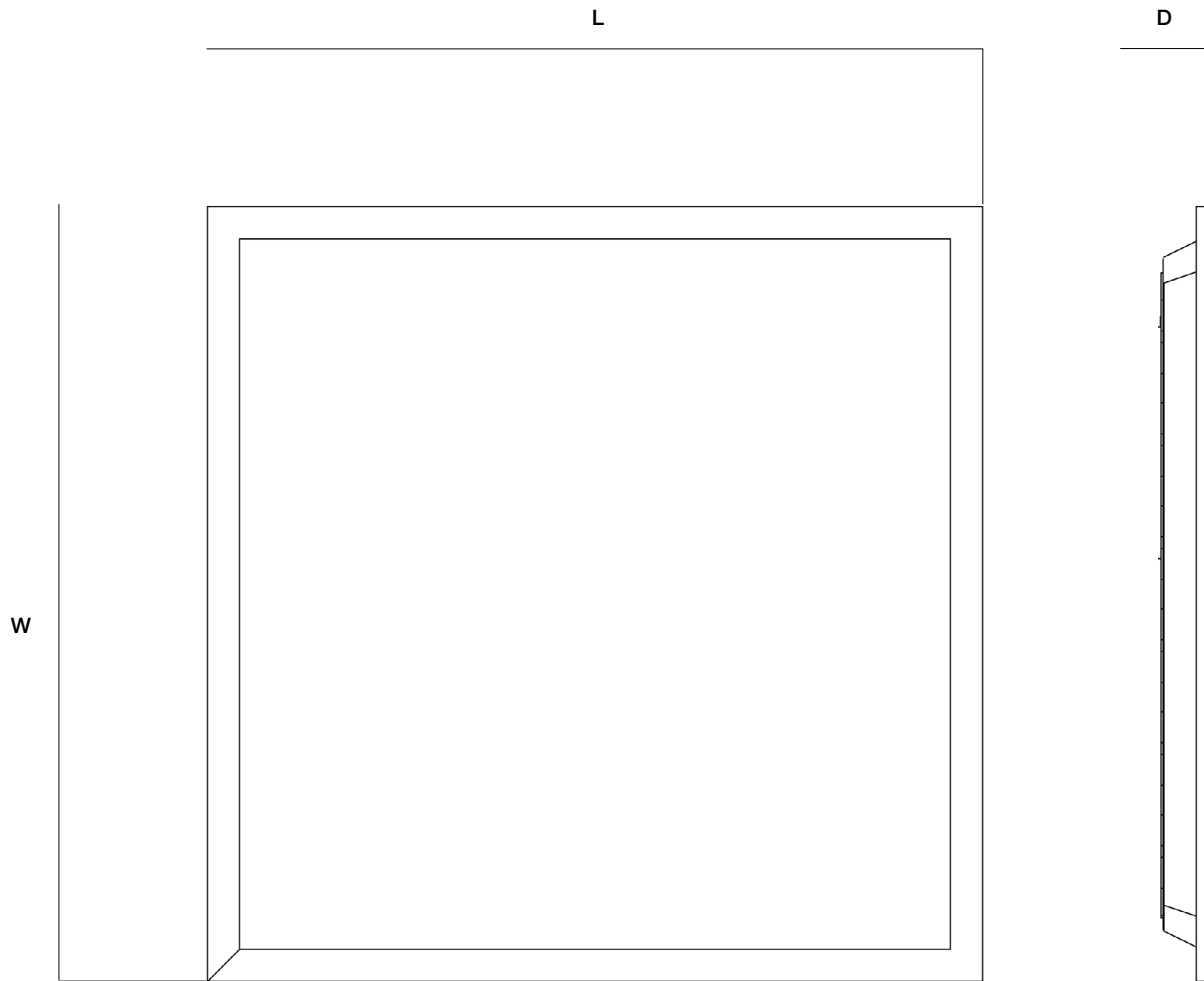
\*see page 5 for sensor and emb spec

\*\*see page 10-11 for GTD spec

**LPA SERIES G3 SELECTABLE BACKLIT PANEL**

**DIMENSIONS**

Model	L	W	D
LPA-G3-1	47.80" (1213mm)	11.90" (301mm)	1.40" (35mm)
LPA-G3-2	23.70" (603mm)	23.70" (603mm)	1.40" (35mm)
LPA-G3-4	47.80" (1213mm)	23.70" (603mm)	1.40" (35mm)



**LPA SERIES G3 SELECTABLE BACKLIT PANEL**

**PERFORMANCE DATA - LPA-G3**

MODEL	SYSTEM WATTS	VOLTAGE	LUMENS	EFFICACY
LPA-G3-1-BACKLIT (1X4)	14W	120-277V	2000	143
	17W	120-277V	2500	147
	20W	120-277V	3000	150
	28W	120-277V	4200	150
LPA-G3-2-BACKLIT (2X2)	15W	120-277V	2300	153
	18W	120-277V	2700	150
	25W	120-277V	3800	152
	30W	120-277V	4500	150
LPA-G3-4-BACKLIT (2X4)	38W	120-277V	6000	158
	45W	120-277V	7000	156
	51W	120-277V	8000	157
	67W	120-277V	10000	149

**DLC CODE**

Part Number	DLC Product ID	DLC Class
LPA-G3-1-BACKLIT (1x4)	pending	Standard
LPA-G3-2-BACKLIT (2x2)	pending	Standard
LPA-G3-4-BACKLIT (2x4)	pending	Standard

**LPA SERIES G3 SELECTABLE BACKLIT PANEL**

**SENSOR SPEC**

Model	Type	Mounting	Coverage	Input	Function	Programmable
CONTROL-LVFA (see page 6 for detail)	-	-	-	12V DC	Bluetooth Mesh On/Off/Dimming Scheduling	AVI-ON Bluetooth Mobile App
CONTROL-BLE-620 (see page 7 for detail)	Fixture Controller	Integral to Fixture	-	12V DC	CCT Tuning Dimming Grouping Time Schedule	ALS Control Bluetooth Mobile App
SENSOR-BLE-7 (see page 8 for detail)	Microwave	up to 13FT	17FT radius	12V DC	Bluetooth Mesh On/Off/Dimming Motion Daylight Sensing	ALS Control Bluetooth Mobile App
SENSOR-ANT-7 (see page 9 for detail)	Microwave	up to 12FT	17FT radius	10V DC	On/Off/Dimming Motion Daylight Sensing	REMOTE-RC100



CONTROL-LVFA



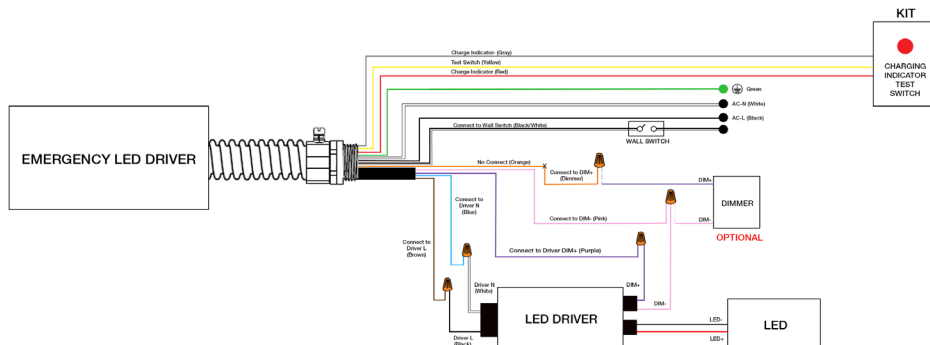
CONTROL-BLE-620



SENSOR-ANT-7  
 SENSOR-BLE-7

**EMB SPEC**

Model	Battery Capacity	Input	Output	Output Power	Operating Temp	Installation
EMB-H08170	90mins	100-347VAC	170VDC	8W	0°C ~ 50°C 32°F ~ 122°F	Factory or Field Install
EMB-H18170	90mins	100-347VAC	170VDC	18W	0°C ~ 50°C 32°F ~ 122°F	Factory or Field Install



**LPA SERIES G3 SELECTABLE BACKLIT PANEL**

**CONTROL-LVFA SPEC**

**Status LEDs & Config Button**

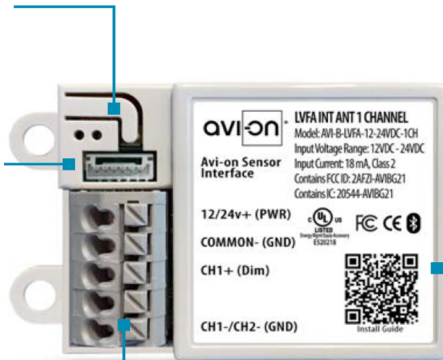
Quick and easy validation of wiring and network

**Direct Connect™ Sensor Port**

Simple and cost-effective addition to Avi-on sensors

**Terminal Blocks & Mounting Tabs**

Faster, easier and lower cost installation eliminating connectors



**Internal Antenna**

Improved performance and eliminates risk of accidentally cutting a hanging wire

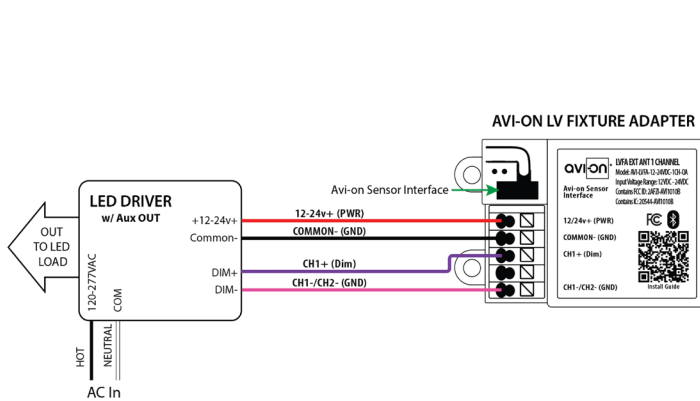
**SPECIFICATIONS**

**INPUT VOLTAGE:** 12-24VDC  
**CURRENT:** 15mA without a Sensor  
 19mA with a DC PIR Sensor  
 48mA with a DC Microwave Sensor  
**0-10V DIMMING:** 12-24VDC  
**SIZE:** 2.30in x 1.43in x 0.75in  
 (58.2mm x 36.4mm x 19mm)  
**MOUNTING:** Removable mounting tabs  
**WEIGHT:** 0.45 oz (16g)  
**OPERATING TEMP:** -22°F to +158°F (-30°C to + 70°C)

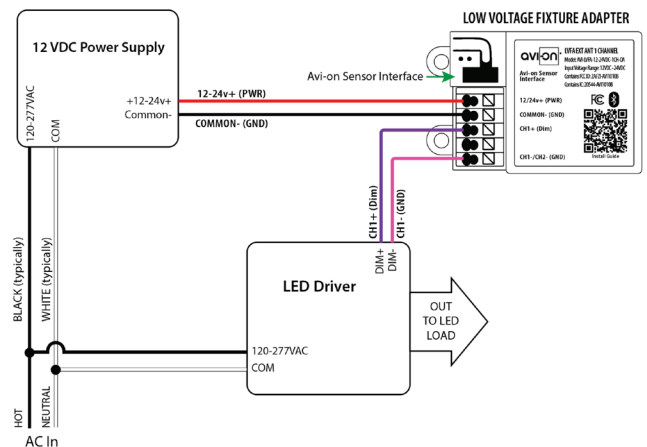
**RADIO FREQUENCY:** 2.4GHz  
**WIRELESS STANDARD:** BLE 4.2 with Mesh  
**POINT TO POINT RANGE\*:** 80ft with obstructions  
 350ft unobstructed  
**SECURITY:** AES 128-bit encryption for device to device communication  
 AES 256-bit encryption for device to cloud communication  
**WARRANTY:** 5 years; 10 years optional  
**REGULATORY:** FCC: 2AFZI-AVI1010 B  
 IC: 20544-AVI1010 B  
 BQB: D031801, DID: 86303  
 UL 916, 2043 (Plenum Rated)

\*When communicating through the mesh, range is essentially unlimited (5000ft+)

**WIRING DIAGRAM**



Fixture adapter powered by LED driver auxiliary output



Fixture adapter connected to LED driver and using power supply



# CONTROL-BLE-620 BLUETOOTH CONTROLLER

Client:  
Project:  
Type:  
Quantity:

## FEATURE

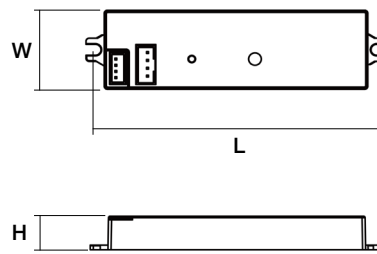
- **Installation:** Factory installed, 12V AUX power required
- **Commissioning:** Wirelessly through ALS Control Mobile App (iOS / Android)
- **Certification:** DLC 5.1 Networked Lighting Control System
- **Control:** Dimming, High-End Trim, Zoning, Continuous Bi-level Dimming
- **CCT Tuning:** CCT Tuning feature for Dual/Multi-CCT LED board fixture only
- **Sensor:** Plug-N-Play with ALS Control sensors
- **Zone Control:** Zoning and Grouping control, Scheduling



## SPECIFICATIONS

<b>WIRELESS STANDARDS:</b>	5.0 Bluetooth Mesh
<b>INPUT VOLTAGE:</b>	12-14VDC, >50mA
<b>OUTPUT VOLTAGE:</b>	LED Max. 150VDC Max. 2A
<b>CONTROL OUTPUT:</b>	0-10V
<b>OPERATING TEMP:</b>	-40°F ~ +158°F (-40°C ~ +70°C)
<b>COMMISSIONING RANGE:</b>	50FT
<b>BLUETOOTH RANGE:</b>	100FT
<b>WARRANTY:</b>	5 years
<b>IP RATING:</b>	IP20

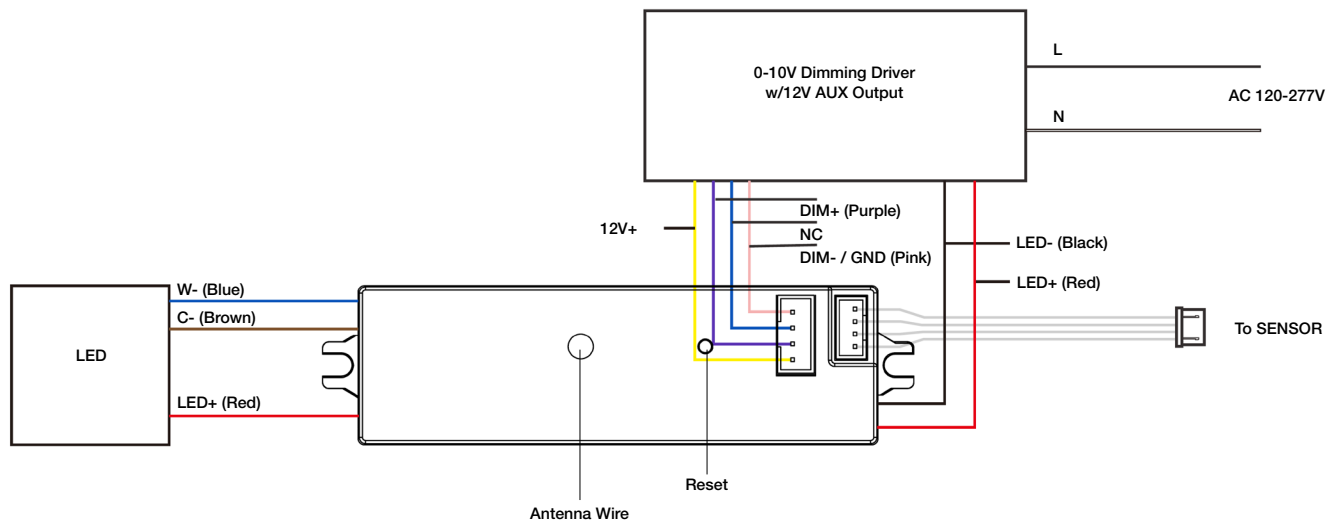
## DIMENSIONS



L	H	W
3.5" (89mm)	0.43" (11mm)	1.00" (26mm)

Lead Wire	Antenna Wire
10.60" (270mm)	10.60" (270mm)

## WIRING DIAGRAM



**FEATURE**

- **Installation:** Factory Install - Integral to Fixture
- **Commissioning:** Wirelessly through ALS Control Mobile App (iOS / Android)
- **Certification:** DLC 5.1 Networked Lighting Control System
- **Control:** Hold time, High-Low setting, continuous Bi-level dimming, Code-compliant manual-on or auto-off capability
- **Sensor:** Motion (Occupancy/Vacancy/Manual)
- **Room and Zone Control:** Zoning and Grouping control, Scheduling

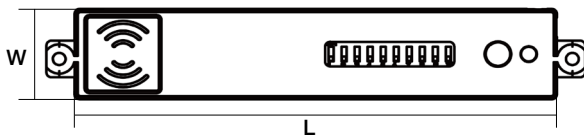


**SPECIFICATIONS**

**SENSOR TYPE:** Microwave  
**WIRELESS STANDARDS:** Bluetooth SIG Mesh  
**INPUT VOLTAGE:** 10-14VDC, >50mA  
**CONTROL OUTPUT:** 0-10V  
**OPERATING TEMP:** -40°F ~ +158°F (-40°C ~ +70°C)

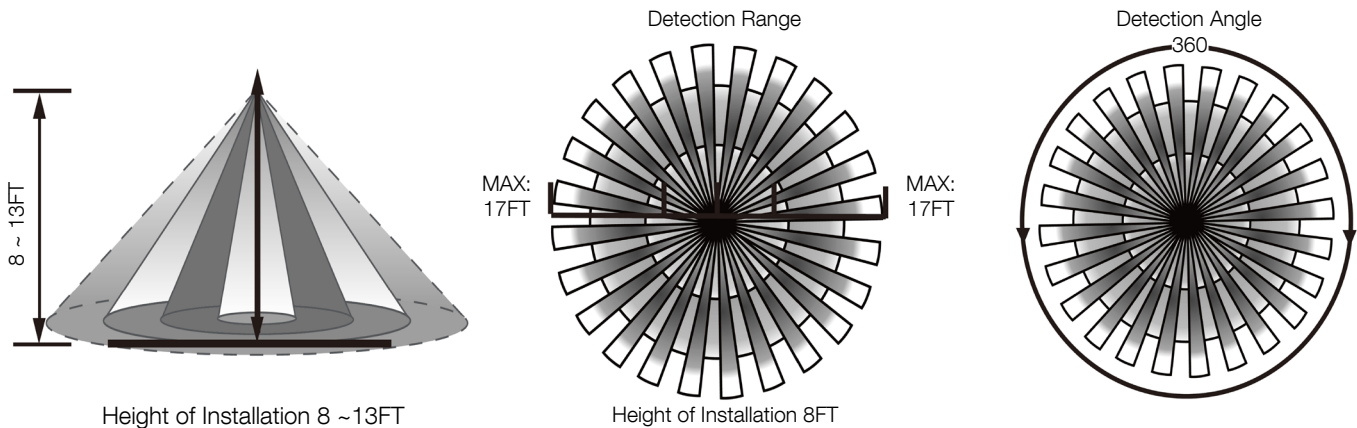
**COMMISSIONING RANGE:** 50FT  
**BLUETOOTH RANGE:** Integral antenna up to 164FT  
**DETECTION ANGLE:** 360°  
**MOUNTING HEIGHT:** Up to 13FT  
**WARRANTY:** 5 years  
**IP RATING:** IP20

**DIMENSIONS**



L	W
3.70" (94mm)	0.73" (18.5mm)

**COVERAGE PATTERNS**



**FEATURE**

- **Installation:** Factory Install - Integral to Fixture
- **Commissioning:** through Remote Control
- **Control:** Hold time, High-Low setting, Continuous Bi-Level Dimming, Code-Compliant Manual-On or Auto-Off Capability
- **Sensor:** Motion (Occupancy/Vacancy/Manual)

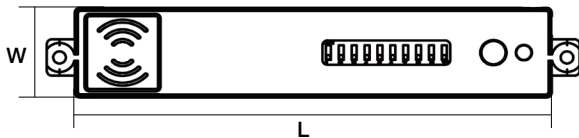


**SPECIFICATIONS**

**SENSOR TYPE:** Microwave  
**INPUT VOLTAGE:** 12-24VDC, >50mA  
**LIGHT-CONTROL:** 10 ~ 50LUX  
**CONTROL OUTPUT:** 0-10V  
**OPERATING TEMP:** -40°F ~ +158°F (-40°C ~ +70°C)

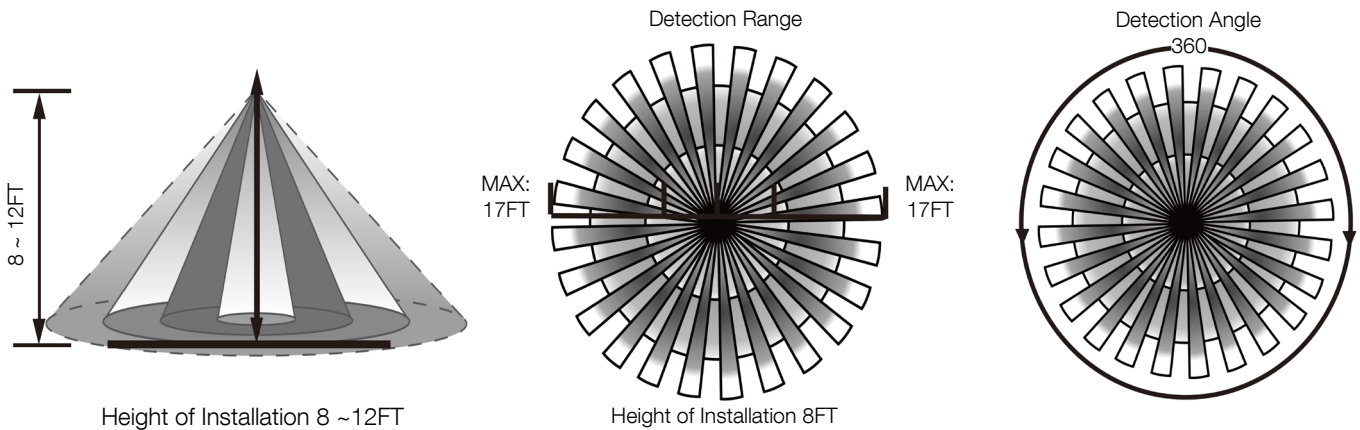
**COMMISSIONING RANGE:** 50FT from Remote Control  
**TIME SETTING:** 10sec ~ 60min (adjustable)  
**DETECTION ANGLE:** 360°  
**MOUNTING HEIGHT:** Up to 12FT  
**WARRANTY:** 5 years  
**IP RATING:** IP20

**DIMENSIONS**



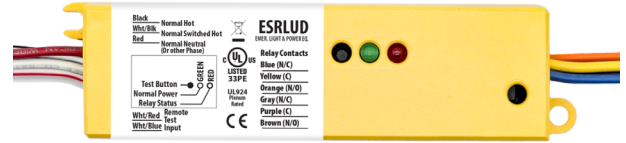
L	W
3.70" (94mm)	0.73" (18.5mm)

**COVERAGE PATTERNS**



**CONSTRUCTION**

Yellow metal casing. Integrates with dry contact systems to provide lighting during power outages. Features a slim enclosure, allowing for seamlessly integrating into existing building infrastructure. Designed for commercial and industrial applications that require an emergency load to be switched on during a loss of normal power.



**SPECIFICATIONS**

<b>COIL CURRENT:</b>	Normal Power = 6mA MAX
<b>COIL VOLTAGE INPUT:</b>	120-277V AC (50/60 Hz)
<b>EXPECTED RELAY LIFE:</b>	10 Million Cycles Min Mechanical
<b>RELAY CONTACT RATINGS:</b>	10 Amp Resistive @ 30 V DC 10 Amp General Use @ 277 V AC
<b>OPERATING TEMP:</b>	-30°F ~ +140°F (-34°C ~ +60°C)
<b>OPERATE TIME:</b>	18ms
<b>HUMIDITY RANGE:</b>	5-95% (Noncondensing)
<b>LED:</b>	Green = Normal Power Red = Relay Status
<b>DIMENSIONS:</b>	1.40"H x 5.63"W x 1.00"D
<b>WIRES:</b>	16", 600V Rated
<b>OVERRIDE (TEST SWITCH):</b>	No
<b>APPROVALS:</b>	UL924, C-UL, CE, ROHS
<b>NOTES:</b>	Device Draws no Current From Emergency Source

**TESTING**

<b>INITIAL TEST FOR CORRECT WIRING:</b>	Apply Normal Power To Normal Power Input a. Green LED (Normal Power) should be ON b. Red LED (Relay Status) should be ON c. Load should be OFF d. Relay Contact (N/O) should be CLOSED
<b>LOCAL TEST BUTTON:</b>	1. Turn Switched Circuit OFF. Load be OFF. 2. Press and Hold "Local Test Button" 3. Load should Turn ON 4. Release "Local Test Button" and Emergency Light should Turn OFF.
<b>WALL SWITCH:</b>	1. Turn ON Wall Switch If not already ON 2. Load should Turn ON 3. Turn Wall Switch OFF 4. Load will Turn OFF

**TROUBLESHOOTING**

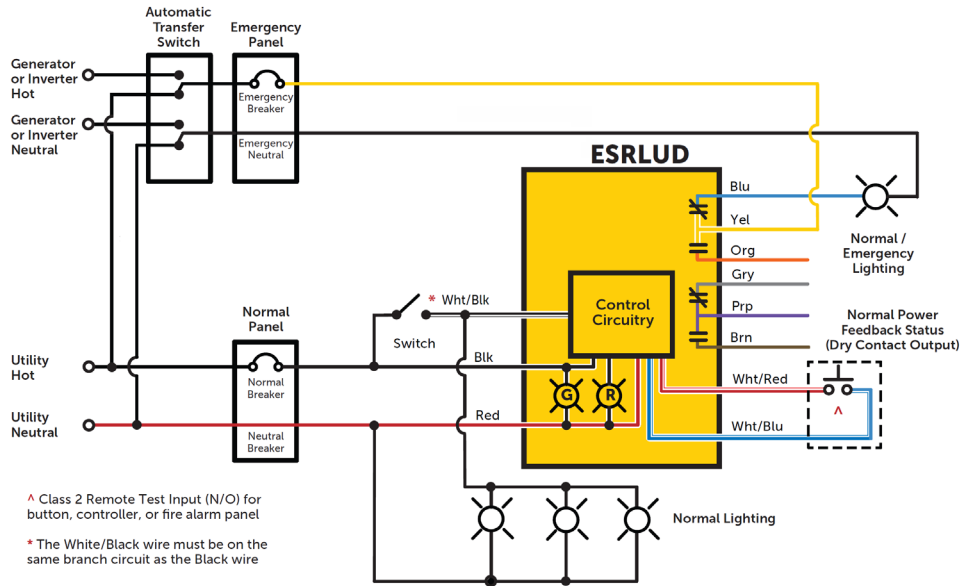
CONDITION	ACTION
Green LED is OFF	<ul style="list-style-type: none"> <li>Check Normal Power Input Wiring (Black and Red Wires) and Voltage.</li> </ul>
Red LED is OFF but Load is OFF	<ul style="list-style-type: none"> <li>Check Bulbs and Ballast.</li> <li>Check Load Wiring (Blue Wire and Load's Neutral).</li> <li>Replace Unit. (Assuming N/C Contact is Used).</li> </ul>
Load is ON but Red LED is ON	<ul style="list-style-type: none"> <li>Replace Unit. (Assuming N/C Contact is Used).</li> </ul>
Red LED does not Turn OFF and Load does not Turn ON when being tested	<ul style="list-style-type: none"> <li>Check Bulbs and Ballast.</li> <li>Check Wiring Connections if Using a Remote Test Option.</li> <li>Press Local Test Button on the Unit.</li> <li>Replace Unit.</li> </ul>
Red LED will not Turn ON and Load will not Turn OFF	<ul style="list-style-type: none"> <li>Verify Status of Normal Power Input.</li> <li>Open Wall Switch Input.</li> <li>Verify That No Test Inputs are Stuck Closed.</li> </ul>



**GTD-ESRLUD Generator Transfer Device**

**WIRING DIAGRAM**

**USING EMERGENCY LIGHTING AS NORMAL LIGHTING**



**OVERRIDING A 0-10V DIMMER**

