

**CPQ-G2 SERIES GARAGE LIGHT**

Client:  
 Project:  
 Type:  
 Quantity:

**CONSTRUCTION**

Rugged die-cast aluminum housing with corrosion resistant powder coat finish both protects and provides architectural appearance.  
 Heat dissipating fins provide superior thermal performance extending the life of the luminaire. Feed-through wiring ready, 1/2" knockout on 4 sides.

**OPTICS**

Precision-engineered polycarbonate lens reduces glare, improves optical performance, and provides comfortable illumination for garage application.

**ELECTRICAL**

80+ CRI Lumileds LED.  
 -40°C up to 45°C (-40°F up to 113°F) maximum operating temperature.  
 100,000 hr at L70 @ 25°C, 75,000 hr at L70 40°C.  
 Driver operates at 120-277V input, 50/60Hz, 0-10V dimming driver standard.  
 12V AUX 3.5mm sensor receptacle for Plug-N-Play sensors.  
 <20% THD, 0.9 power factor.  
 Optional Emergency Backup Battery.

**SENSORS (OPTIONAL)**

SENSOR-ANT-6-4T - Plug-N-Play PIR on/off/dimming/photosensing (40FT MH).  
 SENSOR-ANT-6-4T-H - Plug-N-Play PIR on/off/dimming/photosensing (50FT MH).  
 SENSOR-BLE-6-4T - Plug-N-Play PIR ALS Control Bluetooth/on/off/dimming (40FT MH).  
 SENSOR-BLE-6-4T-H - Plug-N-Play PIR ALS Control Bluetooth/on/off/dimming (50FT MH).  
 "-EM" - Compatible with Emergency Battery (Auto-bypass)  
 SENSOR PH-PB-U Integral Button Style Photocell.  
 CONTROL-LVFA AVI-ON Bluetooth Mesh Controller.

**MOUNTING**

Universal mounting plate which mounts directly to 4" round, octagonal, and square junction boxes. Swing open design offers easy access to the wiring compartment for installation or future maintenance.  
 3/4" conduit entry on top for pendant mount. 1/2" conduit entry on four sides. (Conduit supplied by others).

**STANDARD FINISH**

Corrosion resistant Dark Bronze finish.

**CERTIFICATION**

IP66 Wet location label standard.  
 Meets Buy America Act requirements.  
 All luminaires are built to UL1598 standards and bear appropriate cULus labels.  
 For Emergency application, equipment with UL924 certified battery packs.  
 DLC® Premium (DesignLights Consortium Qualified)

**WARRANTY**

5 year warranty, see Limited Warranty for additional information.



w/Plug-N-Play Sensor



Emergency Battery Enclosure

**SHIPPING DATA**

Product	Measurement	Weight
CPQ-G2	10"L x 10"W x 4"H	7 lb



**CPQ-G2 SERIES GARAGE LIGHT**

**ORDER INFORMATION** **EXAMPLE : CPQ-G2 40 SC PL JM DB UD**

Fixture	Series	Power & LM	CCT	Distribution	Mounting	Finish	Input
	<b>CPQ-G2</b>		<b>SC</b>	<b>PL</b>	<b>JM</b>		<b>UD</b>
	<b>Accessories</b>						
	<b>Options</b>						

**A SERIES**

**CPQ-G2** Square Garage Light Gen 2 Selectable

**B POWER & LM**

Code	Power	LM
<b>40</b>	Field Selectable 16W / 24W / 32W / 40W	2700 / 3900 / 5100 / 6200LM
<b>60</b>	Field Selectable 24W / 36W / 48W / 60W	4100 / 6100 / 7900 / 9400LM
<b>70</b>	Field Selectable 28W / 42W / 56W / 70W	4600 / 6700 / 8700 / 10500LM

**C CCT**

**SC** Field Selectable 3000 / 4000 / 5000K

**D DISTRIBUTION**

**PL** Low Glare Garage Distribution Lens

**E MOUNTING**

**JM** Surface Mount (3/4" conduit entry on top)

**F FINISH**

Standard  
**DB** Dark Bronze

**G INPUT**

**UD** 120-277V, 0-10V Dimmable

## CPQ-G2 SERIES GARAGE LIGHT

### H ACCESSORIES/OPTIONS

<b>BAA</b>	Assembled in America, compliant with BAA (COTS)
<b>EMB-8W-B**</b>	90-Minute Self-Diagnostic Emergency Battery 8W 100-347VAC Input 170VDC Output
<b>SENSOR-ANT-6-4T*</b>	Plug-N-Play PIR on/off/dimming/photosensing up to <b>40FT MH</b>
<b>SENSOR-ANT-6-4T-EM*</b>	Plug-N-Play PIR on/off/dimming/photosensing for <b>EMB application</b> up to <b>40FT MH</b>
<b>SENSOR-BLE-6-4T*</b>	Plug-N-Play Bluetooth on/off/dimming/Daylight Harvesting Sensor (ALS Control Mobile App)
<b>SENSOR-BLE-6-4T-EM*</b>	Plug-N-Play Bluetooth on/off/dimming/Daylight Harvesting Sensor (ALS Control Mobile App) for EMB application
<b>SENSOR PH-PB-U*</b>	Button Style Photocell
<b>CONTROL-LVFA*</b>	AVI-ON Bluetooth Mesh Control System
<b>REMOTE-RC100</b>	Handheld Remote Commissioning Tool for SENSOR-ANT (1 per job)

\*see page 6 for sensor spec

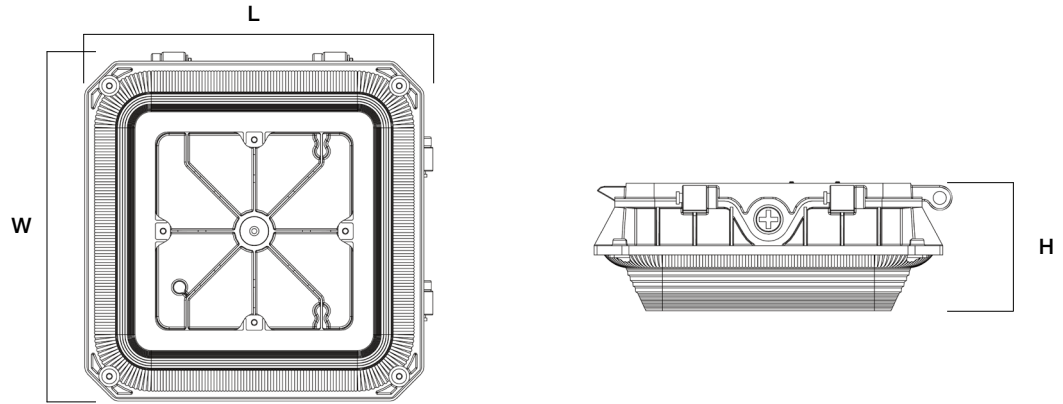
\*\*see page 7 for emb spec

**CPQ-G2 SERIES GARAGE LIGHT**

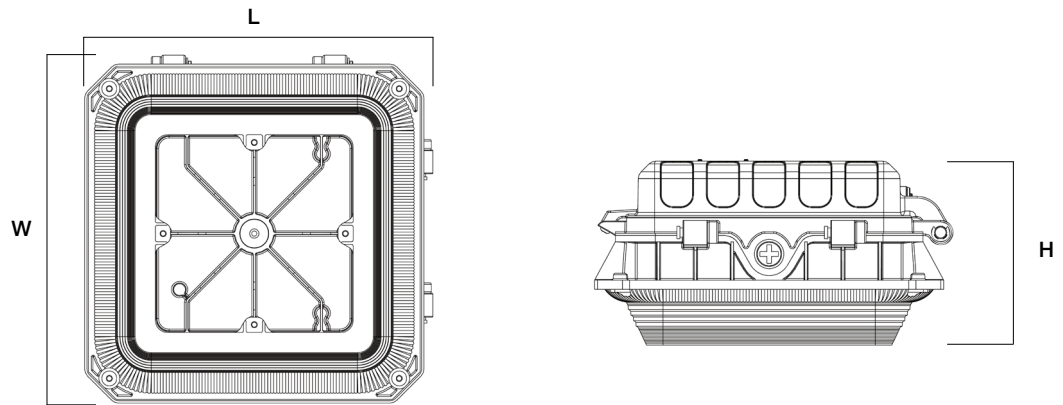
**DIMENSIONS**

Power	L	W	H
CPQ-G2-40 / 60 / 70	9.20" (233mm)	9.20" (233mm)	3.30" (84mm)
CPQ-G2-40 / 60 / 70 W/EMB Enclosure	9.20" (233mm)	9.20" (233mm)	4.80" (120mm)

CPQ-G2-40 / 60 / 70



CPQ-G2-40 / 60 / 70  
w/EMB Enclosure

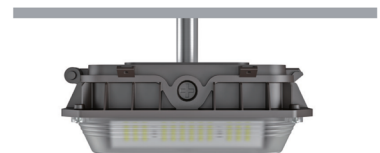


**MOUNTING OPTIONS**

Surface Mount



Pendant Mount



**CPQ-G2 SERIES GARAGE LIGHT**

**PERFORMANCE DATA**

PART#	SYSTEM WATTS	VOLTAGE	1000K		4000K		5000K	
			LUMENS	LPW	LUMENS	LPW	LUMENS	LPW
CPQ-G2-40	40W	120-277V	5,900	148	6,200	155	6,000	150
	32W	120-277V	4,900	154	5,100	161	5,000	156
	24W	120-277V	3,800	158	3,900	165	3,800	160
	16W	120-277V	2,600	162	2,700	169	2,600	164
CPQ-G2-60	60W	120-277V	8,900	148	9,400	158	9,000	150
	48W	120-277V	7,400	154	7,900	164	7,500	156
	36W	120-277V	5,700	158	6,100	168	5,800	160
	24W	120-277V	3,900	162	4,100	172	3,900	164
CPQ-G2-70	70W	120-277V	9,900	141	10,500	150	10,000	143
	56W	120-277V	8,200	147	8,700	156	8,300	149
	42W	120-277V	6,300	151	6,700	160	6,400	153
	28W	120-277V	4,300	155	4,600	164	4,400	157

**CPQ-G2 SERIES GARAGE LIGHT**

**SENSOR SPEC**

Model	Type	Mounting	Coverage	Input	Function	Programmable
SENSOR-ANT-6-4T SENSOR-ANT-6-4T-EM	PIR	up to 40FT	30FT radius	12V DC	On/Off/Dimming	REMOTE-RC100
SENSOR-BLE-6-4T SENSOR-BLE-6-4T-EM (see page 9 for detail)	PIR	up to 40FT	30FT radius	12V DC	Bluetooth Mesh On/Off/Dimming Daylight Harvesting	ALS Control Bluetooth Mobile App
SENSOR-ANT-6-4T-H* SENSOR-ANT-6-4T-H-EM	PIR	up to 50FT	30FT radius	12V DC	On/Off/Dimming	REMOTE-RC100
SENSOR-BLE-6-4T-H* SENSOR-BLE-6-4T-H-EM	PIR	up to 50FT	30FT radius	12V DC	Bluetooth Mesh On/Off/Dimming Daylight Harvesting	ALS Control Bluetooth Mobile App
SENSOR-PH-PB-U	-	-	-	Universal	Dusk-to-Dawn Control	-
CONTROL-LVFA (see page 8 for detail)	Fixture Controller	-	-	12V DC	Bluetooth Mesh On/Off/Dimming Scheduling	AVI-ON Bluetooth Mobile App



SENSOR-ANT-6-4T  
 SENSOR-ANT-6-4T-EM  
 SENSOR-BLE-6-4T  
 SENSOR-BLE-6-4T-EM  
 SENSOR-BLE-6-4T-H  
 SENSOR-BLE-6-4T-EM-H



SENSOR-PH-PB-U

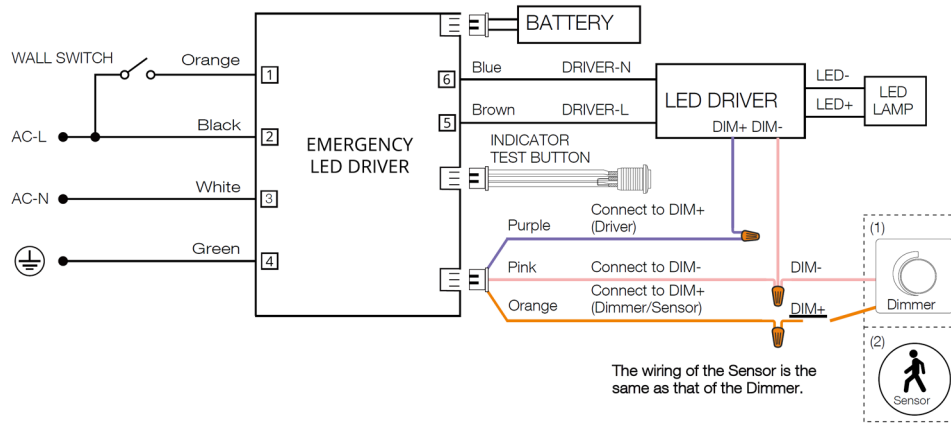


CONTROL-LVFA

**CPQ-G2 SERIES GARAGE LIGHT**

**EMB SPEC**

Model	Battery Capacity	Input	Output	Output Power	Operating Temp	Installation
EMB-8W-B	90mins	100-347VAC	170VDC	8W	0°C ~ 50°C 32°F ~ 122°F	Field Install Factory Install



**CPQ-G2 SERIES GARAGE LIGHT**

**CONTROL-LVFA SPEC**

**Status LEDs & Config Button**

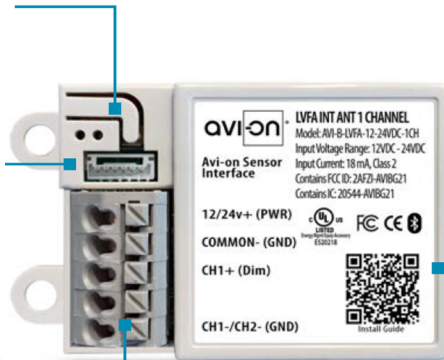
Quick and easy validation of wiring and network

**Direct Connect™ Sensor Port**

Simple and cost-effective addition to Avi-on sensors

**Terminal Blocks & Mounting Tabs**

Faster, easier and lower cost installation eliminating connectors



**Internal Antenna**

Improved performance and eliminates risk of accidentally cutting a hanging wire

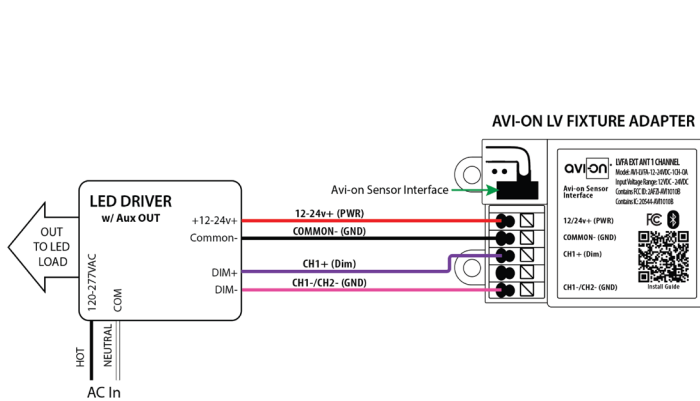
**SPECIFICATIONS**

**INPUT VOLTAGE:** 12-24VDC  
**CURRENT:** 15mA without a Sensor  
 19mA with a DC PIR Sensor  
 48mA with a DC Microwave Sensor  
**0-10V DIMMING:** 12-24VDC  
**SIZE:** 2.30in x 1.43in x 0.75in  
 (58.2mm x 36.4mm x 19mm)  
**MOUNTING:** Removable mounting tabs  
**WEIGHT:** 0.45 oz (16g)  
**OPERATING TEMP:** -22°F to +158°F (-30°C to + 70°C)

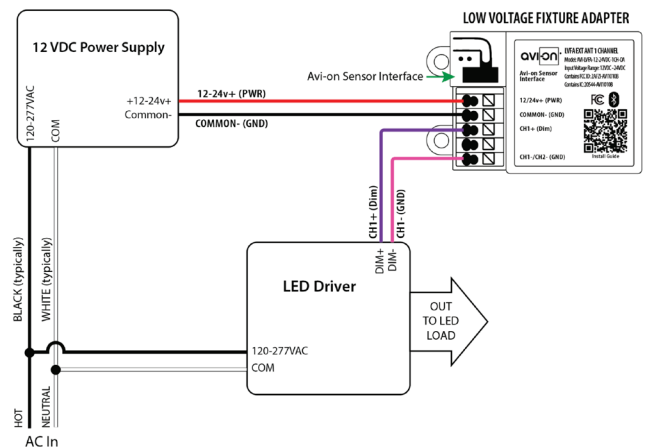
**RADIO FREQUENCY:** 2.4GHz  
**WIRELESS STANDARD:** BLE 4.2 with Mesh  
**POINT TO POINT RANGE\*:** 80ft with obstructions  
 350ft unobstructed  
**SECURITY:** AES 128-bit encryption for device to device communication  
 AES 256-bit encryption for device to cloud communication  
**WARRANTY:** 5 years; 10 years optional  
**REGULATORY:** FCC: 2AFZI-AVI1010 B  
 IC: 20544-AVI1010 B  
 BQB: D031801, DID: 86303  
 UL 916, 2043 (Plenum Rated)

\*When communicating through the mesh, range is essentially unlimited (5000ft+)

**WIRING DIAGRAM**



Fixture adapter powered by LED driver auxiliary output



Fixture adapter connected to LED driver and using power supply

**FEATURE**

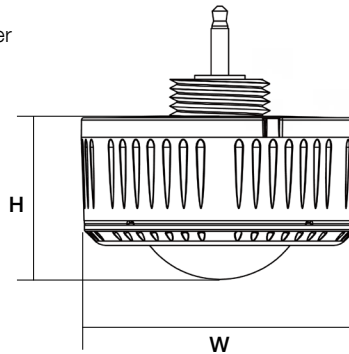
- **Installation:** Plug-N-Play via AUX socket on attached fixture
- **Commissioning:** Wirelessly through ALS Control Mobile App (iOS / Android)
- **Certification:** DLC 5.1 Networked Lighting Control System
- **Control:** Hold time, High-Low setting, continuous Bi-level dimming, Code-compliant manual-on or auto-off capability
- **Sensor:** Motion (Occupancy/Vacancy/Manual) and Daylight Harvesting
- **Room and Zone Control:** Zoning and Grouping control, Scheduling



**SPECIFICATIONS**

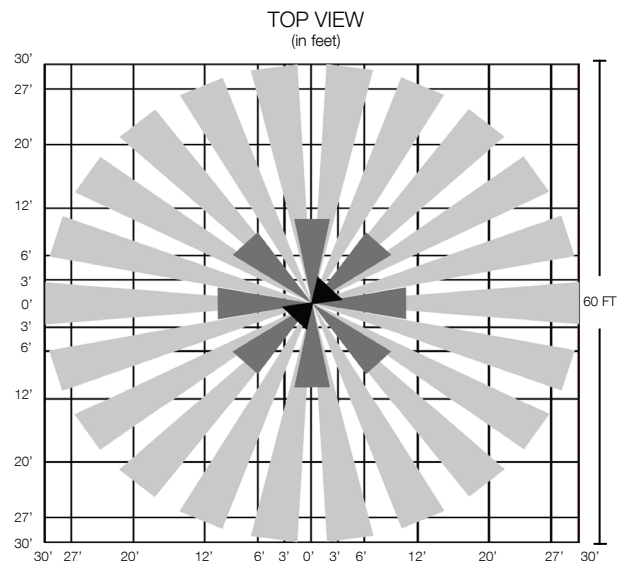
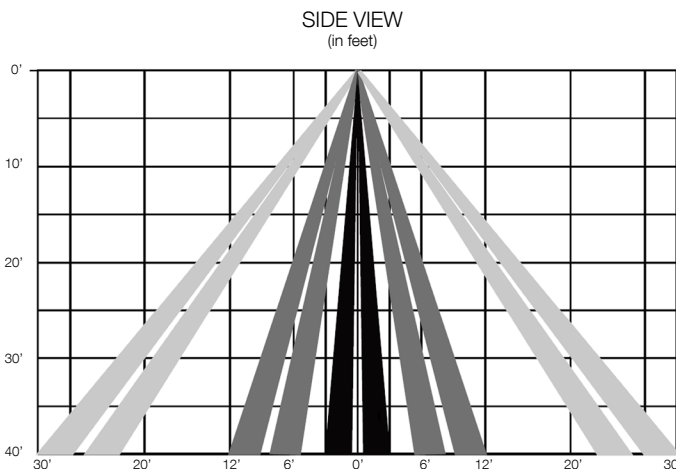
<b>SENSOR TYPE:</b>	Passive Infrared Sensor (PIR)
<b>WIRELESS STANDARDS:</b>	5.0 Bluetooth Mesh
<b>STANDARD OPTION:</b>	SENSOR-BLE-6-4T
<b>EMB OPTION:</b>	SENSOR-BLE-6-4T-EM (Designed for fixtures with emergency kit. When the voltage power is off, the sensor will stop working.)
<b>INPUT VOLTAGE:</b>	12-24VDC, >50mA
<b>CONTROL OUTPUT:</b>	0-10V
<b>OPERATING TEMP:</b>	-4°F ~ +140°F (-20°C ~ +60°C)
<b>COMMISSIONING RANGE:</b>	50FT
<b>BLUETOOTH RANGE:</b>	164FT
<b>DETECTION ANGLE:</b>	360°
<b>MOUNTING HEIGHT:</b>	Up to 40FT
<b>WARRANTY:</b>	5 years
<b>IP RATING:</b>	IP65
<b>FACTORY DEFAULT SETTINGS:</b>	100% Brightness for 5 min Dim Down to 30% Hold for 10 min Turn Off

**DIMENSIONS**



H	W
1.03" (26.2mm)	2.17" (55mm)

**COVERAGE PATTERNS**



**ORDER CODES**

- SENSOR-BLE-6-4T** "Plug-N-Play" Integral Bluetooth Daylight Harvesting Sensor (ALS Control Mobile App) up to 40FT MH.
- SENSOR-BLE-6-4T-EM** "Plug-N-Play" Integral Bluetooth Daylight Harvesting Sensor (ALS Control Mobile App) up to 40FT MH w/ EMB.
- SENSOR-BLE-6-4T-H** "Plug-N-Play" Integral Bluetooth Daylight Harvesting Sensor (ALS Control Mobile App) up to 50FT MH.
- SENSOR-BLE-6-4T-H-EM** "Plug-N-Play" Integral Bluetooth Daylight Harvesting Sensor (ALS Control Mobile App) up to 50FT MH w/ EMB.

