

**WNA G2 SERIES SEMI-CUTOFF WALL PACK**

Client:  
 Project:  
 Type:  
 Quantity:

**CONSTRUCTION**

Cast aluminum frame holds lens and seals to housing gasket with two stainless steel screws. Door assembly hinges to side, cast aluminum housing with three 1/2" conduit entries (on top and sides), for surface conduit. Suitable for applications requiring 3G testing prescribed by ANSI C136.31.

**OPTICS**

UV stabilized polycarbonate refractor softens LED image and provides uniform distribution and glare control.

**ELECTRICAL**

70+ CRI Lumileds LED.  
 CCT and output selectable between 3000K ~ 5000K configuration settings.  
 -40°C up to 45°C (-40°F up to 113°F) maximum operating temperature.  
 150,000hr LED at L70 @ 25°C, 120,000hr LED at L70 @ 40°C.  
 Driver operates at 120-277V input, 50/60Hz, <20% THD, 0.9 power factor.  
 0-10V dimming driver, button photocontrol standard included.  
 Optional 10kV surge protector.  
 Optional Self-Diagnostic emergency back up.  
 Optional Self-Diagnostic Sub-Zero emergency back up.

**SENSORS (OPTIONAL)**

CONTROL-BLE-SK104-PH ALS Control Bluetooth Fixtrue Controller.  
 CONTROL-LVFA AVI-ON Bluetooth Mesh Controller.

**MOUNTING**

Wall mount over electrical box or via surface conduit.

**STANDARD FINISH**

Corrosion resistant Dark Bronze powder coating finish.

**CUSTOM FINISH**

Black, Graphite Metallic, Gray, Silver, and White, or custom RAL#

**CERTIFICATION**

Wet Location listed.  
 3G testing prescribed by ANSI C136.31.  
 Meets Buy America Act requirements.  
 IDA compliant: with 3000K color temperature selection.  
 All luminaires are built to UL1598 standards and bear appropriate cULus labels.  
 For Emergency application, equipped with UL924 certified battery packs.  
 DLC® Premium (DesignLights Consortium Qualified) listed.

**WARRANTY**

5 year warranty, see Limited Warranty for additional information.



**SHIPPING DATA**

| Product    | Measurement       | Weight |
|------------|-------------------|--------|
| WNA-G2-65  | 15"L x 8"W x 10"H | 7 lb   |
| WNA-G2-100 | 15"L x 8"W x 10"H | 8 lb   |



**WNA G2 SERIES SEMI-CUTOFF WALL PACK**

| ORDER INFORMATION      |               |            |           | EXAMPLE: WNA G2 65 SC DB UD P |       |          |
|------------------------|---------------|------------|-----------|-------------------------------|-------|----------|
| Fixture                | Series        | Power & LM | CCT       | Finish                        | Input | Sensor   |
|                        | <b>WNA-G2</b> |            | <b>SC</b> |                               |       | <b>P</b> |
| Accessories<br>Options |               |            |           |                               |       |          |

**A SERIES**

**WNA-G2** Selectable Semi-Cutoff Wall Pack Gen 2

**B POWER & LM**

| Code       | Power                  | LM              |
|------------|------------------------|-----------------|
| <b>65</b>  | 28W / 41W / 56W / 68W  | 4047 ~ 8334 lm  |
| <b>100</b> | 39W / 62W / 88W / 100W | 5759 ~ 12123 lm |

**C CCT**

**SC** Selectable 3000K / 4000K / 5000K

**D FINISH**

Standard

**DB** Dark Bronze

Custom Color

|           |                  |                             |                |
|-----------|------------------|-----------------------------|----------------|
| <b>CC</b> | <b>BK</b> Black  | <b>GM</b> Graphite Metallic | <b>GR</b> Gray |
|           | <b>SV</b> Silver | <b>WH</b> White             | <b>RAL#</b>    |

**E INPUT**

|               |   |
|---------------|---|
| <b>UNVD-P</b> | 120-277V, 0-10V Dimming, with Photocell |
| <b>HVLD-P</b> | 347-480V, 0-10V Dimming, with Photocell |

**G ACCESSORIES/OPTIONS**

|                              |  |
|------------------------------|--|
| <b>BAA</b>                   | Assembled in America, compliant with BAA (COTS)  |
| <b>BABAA</b>                 | Build America, Buy America Act (BABAA) Compliant   |
| <b>SURGE-LSP4-U / H</b>      | 10kV inline Surge Protection for Universal input / <b>U</b> : 120-277V, <b>H</b> : 480V input          |
| <b>CONTROL-BLE-SK104-PH*</b> | Integral Bluetooth Fixture Controller w/Button Photocell (ALS Control Mobile App)                      |
| <b>CONTROL-LVFA*</b>         | Integral AVI-ON Bluetooth Fixture Controller   |
| <b>EMB-8W-B**</b>            | 90-Minute Self-Diagnostic Emergency Battery 8W 100-347VAC Input 170VDC Output                          |
| <b>EMB-18W-B**</b>           | 90-Minute Self-Diagnostic Emergency Battery 18W 100-347VAC Input 170VDC Output                         |
| <b>EMB-18W-C-B**</b>         | 90-Minute Self-Diagnostic Emergency Battery 18W 100-347VAC Input 170VDC Output -20°C-50°C (-4°F-122°F) |

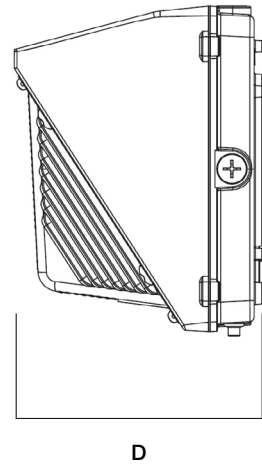
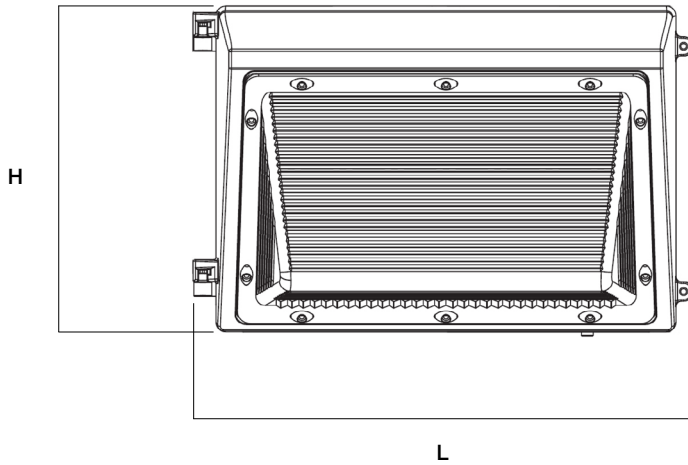
\*see page 5 for sensor spec

\*\*see page 6 for emb spec

**WNA G2 SERIES SEMI-CUTOFF WALL PACK**

**DIMENSIONS**

| Model      | H             | L              | D             |
|------------|---------------|----------------|---------------|
| WNA-G2-65  | 9.25" (235mm) | 14.20" (361mm) | 7.08" (180mm) |
| WNA-G2-100 | 9.25" (235mm) | 14.20" (361mm) | 7.08" (180mm) |



**WNA G2 SERIES SEMI-CUTOFF WALL PACK**

**PERFORMANCE DATA / DLC CODE**

| SYSTEM WATTS                 | CCT   | VOLTAGE  | LUMEN | LPW | QTY ON PALLET | PART NUMBER           | DLC PRODUCT ID / ORDER CODE | DLC CLASS          |
|------------------------------|-------|----------|-------|-----|---------------|-----------------------|-----------------------------|--------------------|
| WNA-G2-65<br>28W Selection   | 4000K | 120-277V | 4047  | 155 | 96            | WNA-G2-65MC-DBUNVD-P  | PENDING                     | DLC 5.1<br>Premium |
| WNA-G2-65<br>41W Selection   | 4000K | 120-277V | 5665  | 146 | 96            | WNA-G2-65MC-DBUNVD-P  | PENDING                     | DLC 5.1<br>Premium |
| WNA-G2-65<br>56W Selection   | 4000K | 120-277V | 7190  | 137 | 96            | WNA-G2-65MC-DBUNVD-P  | PENDING                     | DLC 5.1<br>Premium |
| WNA-G2-65<br>68W Selection   | 4000K | 120-277V | 8334  | 131 | 96            | WNA-G2-65MC-DBUNVD-P  | PENDING                     | DLC 5.1<br>Premium |
| WNA-G2-100<br>39W Selection  | 4000K | 120-277V | 5759  | 157 | 96            | WNA-G2-100MC-DBUNVD-P | PENDING                     | DLC 5.1<br>Premium |
| WNA-G2-100<br>62W Selection  | 4000K | 120-277V | 8566  | 146 | 96            | WNA-G2-100MC-DBUNVD-P | PENDING                     | DLC 5.1<br>Premium |
| WNA-G2-100<br>88W Selection  | 4000K | 120-277V | 11094 | 134 | 96            | WNA-G2-100MC-DBUNVD-P | PENDING                     | DLC 5.1<br>Premium |
| WNA-G2-100<br>100W Selection | 4000K | 120-277V | 12123 | 129 | 96            | WNA-G2-100MC-DBUNVD-P | PENDING                     | DLC 5.1<br>Premium |

**WNA G2 SERIES SEMI-CUTOFF WALL PACK**

**SENSOR SPEC**

| Model   | Type                  | Mounting | Coverage | Input  | Function   | Programmable                           |
|---|-----------------------|----------|----------|--------|--|--|
| CONTROL-BLE-SK104-PH<br>(see page 8 for detail) | Fixture<br>Controller | -        | -        | 12V DC | Bluetooth Mesh<br>On/Off/Dimming<br>Scheduling<br>CCT Tuning | ALS Control<br>Bluetooth<br>Mobile App |
| CONTROL-LVFA<br>(see page 7 for detail)         | Fixture<br>Controller | -        | -        | 12V DC | Bluetooth Mesh<br>On/Off/Dimming<br>Scheduling               | AVI-ON<br>Bluetooth<br>Mobile App      |

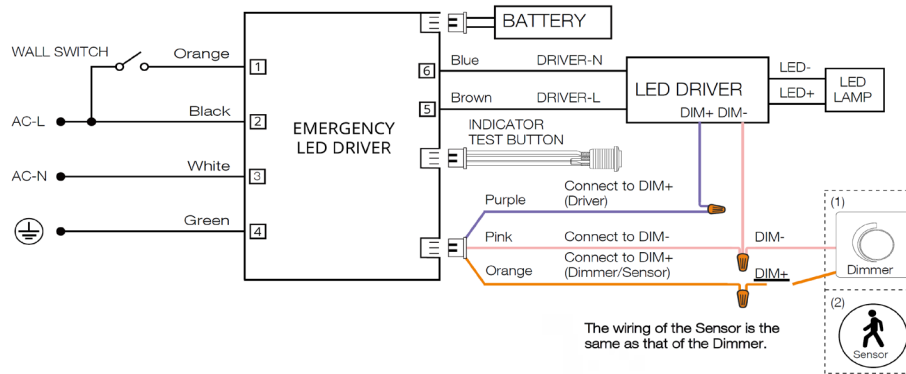


CONTROL-BLE -SK104-PH      CONTROL-AVI-LVFA

**WNA G2 SERIES SEMI-CUTOFF WALL PACK**

**EMB SPEC**

| Model       | Battery Capacity | Input      | Output | Output Power | Operating Temp               | Installation             |
|-------------|------------------|------------|--------|--------------|------------------------------|--------------------------|
| EMB-8W-B    | 90mins           | 100-347VAC | 170VDC | 8W           | 0°C ~ 50°C<br>32°F ~ 122°F   | Factory or Field Install |
| EMB-18W-B   | 90mins           | 100-347VAC | 170VDC | 18W          | 0°C ~ 50°C<br>32°F ~ 122°F   | Factory or Field Install |
| EMB-18W-C-B | 90mins           | 100-347VAC | 170VDC | 18W          | -20°C ~ 50°C<br>-4°F ~ 122°F | Factory or Field Install |



**WNA G2 SERIES SEMI-CUTOFF WALL PACK**

**CONTROL-LVFA SPEC**

**Status LEDs & Config Button**

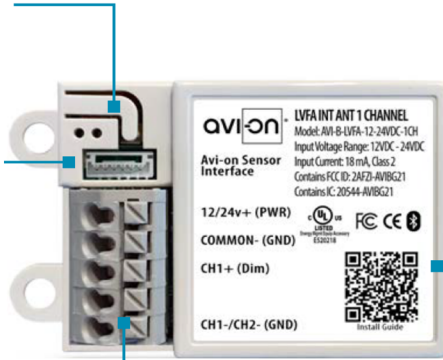
Quick and easy validation of wiring and network

**Direct Connect™ Sensor Port**

Simple and cost-effective addition to Avi-on sensors

**Terminal Blocks & Mounting Tabs**

Faster, easier and lower cost installation eliminating connectors



**Internal Antenna**

Improved performance and eliminates risk of accidentally cutting a hanging wire

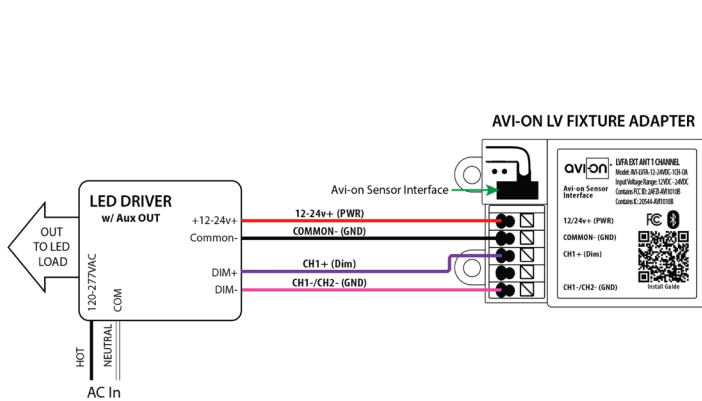
**SPECIFICATIONS**

**INPUT VOLTAGE:** 12-24VDC  
**CURRENT:** 15mA without a Sensor  
 19mA with a DC PIR Sensor  
 48mA with a DC Microwave Sensor  
**0-10V DIMMING:** 12-24VDC  
**SIZE:** 2.30in x 1.43in x 0.75in  
 (58.2mm x 36.4mm x 19mm)  
**MOUNTING:** Removable mounting tabs  
**WEIGHT:** 0.45 oz (16g)  
**OPERATING TEMP:** -22°F to +158°F (-30°C to + 70°C)

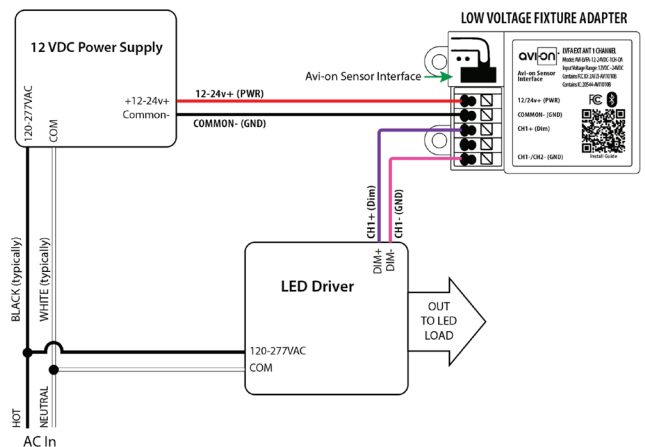
**RADIO FREQUENCY:** 2.4GHz  
**WIRELESS STANDARD:** BLE 4.2 with Mesh  
**POINT TO POINT RANGE\*:** 80ft with obstructions  
 350ft unobstructed  
**SECURITY:** AES 128-bit encryption for device to device communication  
 AES 256-bit encryption for device to cloud communication  
**WARRANTY:** 5 years; 10 years optional  
**REGULATORY:** FCC: 2AFZI-AVI1010 B  
 IC: 20544-AVI1010 B  
 BQB: D031801, DID: 86303  
 UL 916, 2043 (Plenum Rated)

\*When communicating through the mesh, range is essentially unlimited (5000ft+)

**WIRING DIAGRAM**



Fixture adapter powered by LED driver auxiliary output



Fixture adapter connected to LED driver and using power supply

**FEATURE**

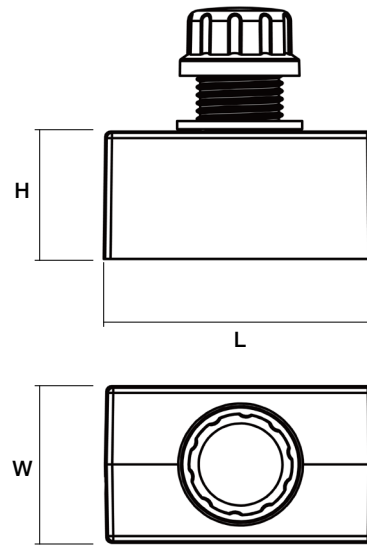
- **Installation:** Factory / Jobsite install through 1/2" knockout hole, 12V AUX power required
- **Commissioning:** Wirelessly through ALS Control Mobile App (iOS / Android)
- **Certification:** DLC 5.1 Networked Lighting Control System
- **Control:** High-End Trim, Zoning, Continuous Bi-level Dimming
- **CCT Tuning:** CCT Tuning feature for Dual/Multi-CCT LED board fixture only
- **Sensor:** Photocell
- **Zone Control:** Zoning and Grouping control, Scheduling



**SPECIFICATIONS**

|                             |                                |
|-----------------------------|--------------------------------|
| <b>SENSOR TYPE:</b>         | Photocell                      |
| <b>WIRELESS STANDARDS:</b>  | 5.0 Bluetooth Mesh             |
| <b>INPUT VOLTAGE:</b>       | 12-14VDC, >50mA                |
| <b>CONTROL OUTPUT:</b>      | 0-10V                          |
| <b>OPERATING TEMP:</b>      | -40°F ~ +158°F (-40°C ~ +70°C) |
| <b>COMMISSIONING RANGE:</b> | 50FT                           |
| <b>BLUETOOTH RANGE:</b>     | 100FT                          |
| <b>DETECTION ANGLE:</b>     | 360°                           |
| <b>WARRANTY:</b>            | 5 years                        |
| <b>IP RATING:</b>           | IP65                           |

**DIMENSIONS**



| L               | H               | W               |
|-----------------|-----------------|-----------------|
| 1.14"<br>(29mm) | 0.94"<br>(24mm) | 1.97"<br>(50mm) |

**WIRING DIAGRAM**

