

WBA SERIES FORWARD THROW ADJUSTABLE

Client:
 Project:
 Type:
 Quantity:

CONSTRUCTION

Cast aluminum frame holds lens and seals to housing gasket with two stainless steel screws. Door assembly hinges to side, cast aluminum housing with three 1/2" conduit entries (on top and sides), for surface conduit. Casting thermally conducts LED heat to optimize performance and long life.

OPTICS

UV stabilized polycarbonate refractor softens LED image and provides uniform distribution and glare control. Click-adjustable throw allows field set the distribution angle (0°, 15°, 30°, 45°). CCT and output selectable between 3000K ~ 5000K configuration settings.

ELECTRICAL

80+ CRI Lumileds LED.
 -40°C up to 40°C (-40°F up to 104°F) maximum operating temperature.
 150,000hr LED at L70 @ 25°C, 120,000hr LED at L70 @ 40°C.
 Driver operates at 120-277V input, 50/60Hz, <15% THD, 0.9 power factor >90%.
 0-10V dimming driver, button photocontrol standard included.
 Four adjustable Wattage levels available for each model.
 Optional 10kV surge protector.
 Optional Self-Diagnostic emergency back up.
 Optional Self-Diagnostic Sub-Zero emergency back up.

SENSORS (OPTIONAL)

CONTROL-LVFA AVI-ON Bluetooth Mesh Controller.
 CONTROL-BLE-SK104-PH ALS Bluetooth Fixture Controller.

MOUNTING

Wall mount over electrical box or via surface conduit.

STANDARD FINISH

Corrosion resistant Dark Bronze powder coating finish.

CUSTOM FINISH

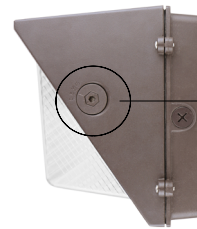
Black, Graphite Metallic, Gray, Silver, and White, or custom RAL#

CERTIFICATION

Wet Location listed.
 TAA compliant.
 Meets Buy America Act requirements.
 IDA compliant: with 3000K color temperature selection.
 All luminaires are built to UL1598 standards and bear appropriate cULus labels.
 For Emergency application, equipped with UL924 certified battery packs.
 DLC® Premium (DesignLights Consortium Qualified) listed.

WARRANTY

5 year warranty, see Limited Warranty for additional information.



Forward Throw Adjustable Dial

- 0°
- 15°
- 35°
- 45°

SHIPPING DATA

| Product | Measurement | Weight |
|---------|--------------------|--------|
| WBA-60 | 15"L x 8"W x 10"H | 10 lb |
| WBA-100 | 15"L x 8"W x 10"H | 10 lb |
| WBA-150 | 19"L x 10"W x 10"H | 13 lb |



WBA SERIES FORWARD THROW ADJUSTABLE

ORDER INFORMATION **EXAMPLE: WBA 150 MC DB UNVD P**

| | | | | | | |
|----------------|---------------|-----------------------|------------|---------------|--------------|---------------|
| Fixture | Series | Power & LM | CCT | Finish | Input | Sensor |
| | WBA | | SC | | | P |

Accessories
Options

A SERIES

WBA Forward Throw Adjustable Wall Pack

B POWER & LM

| Code | Power | LM |
|------------|------------------------------------|--------------------|
| 60 | Selectable 24W / 36W / 48W / 60W | 3,900lm ~ 8,900lm |
| 100 | Selectable 40W / 60W / 80W / 100W | 6,000lm ~ 14,000lm |
| 150 | Selectable 60W / 90W / 120W / 150W | 9,000lm ~ 22,000lm |

C CCT

SC Selectable: 3000K / 4000K / 5000K

D FINISH

Standard

DB Dark Bronze

Custom Color

| | | | |
|-----------|------------------|-----------------------------|----------------|
| CC | BK Black | GM Graphite Metallic | GR Gray |
| | SV Silver | WH White | RAL# |

E INPUT

| | |
|---------------|--|
| UNVD-P | 120-277V, 0-10V Dimming, with Photocell |
| HVLD-P | 347-480V, 1-10V Dimmable, with Photocell |

G ACCESSORIES/OPTIONS

| | |
|-----------------------------|--|
| BAA | Assembled in America, compliant with BAA (COTS) |
| EMB-8W-B** | 90-Minute Self-Diagnostic Emergency Battery 8W 100-347VAC Input 170VDC Output |
| EMB-18W-B** | 90-Minute Self-Diagnostic Emergency Battery 18W 100-347VAC Input 170VDC Output |
| EMB-18W-C-B** | 90-Minute Self-Diagnostic Emergency Battery 18W 100-347VAC Input 170VDC Output -20°C-50°C (-4°F-122°F) |
| SURGE-LSP4-U / H | 10kV inline Surge Protection for Universal input / U : 120-277V, H : 480V input |
| CONTROL-BLE-SK104-PH | Integral Bluetooth Fixture Controller w/Button Photocell (ALS Control Mobile App) |
| CONTROL-LVFA* | AVI-ON Bluetooth Mesh Control System |

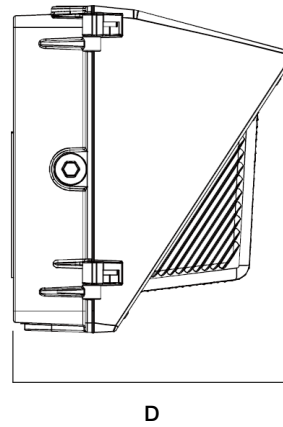
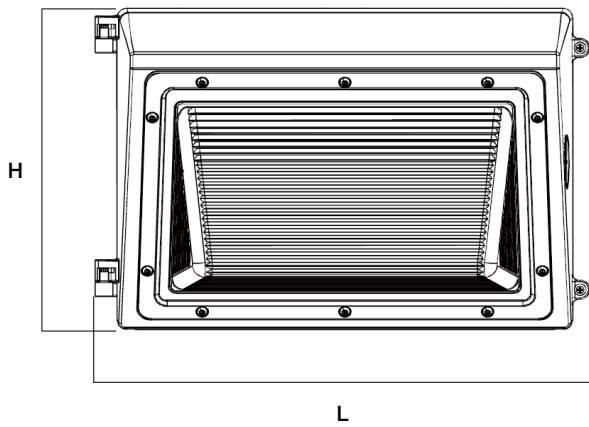
*see page 5 for sensor spec

**see page 6 for emb spec

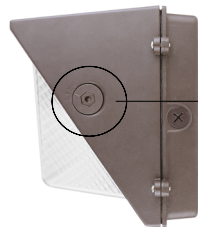
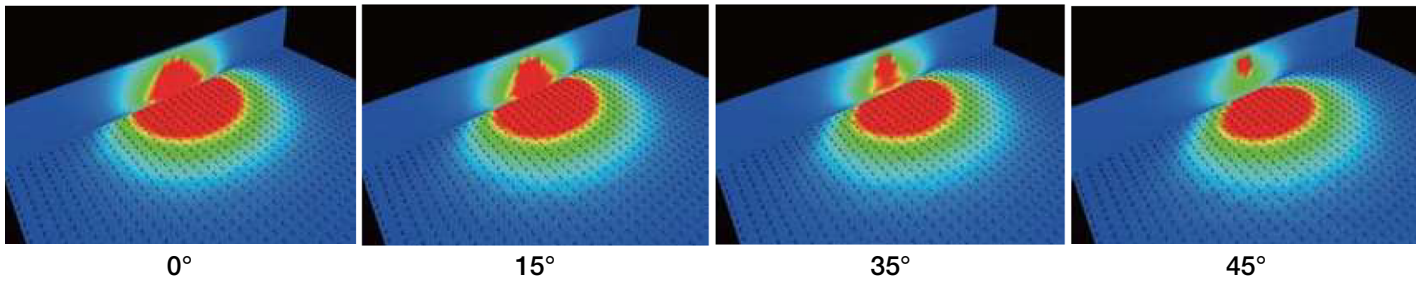
WBA SERIES FORWARD THROW ADJUSTABLE

DIMENSIONS

| Model | H | L | D |
|--------------|---------------|----------------|---------------|
| WBA-60 / 100 | 9.25" (235mm) | 14.20" (361mm) | 7.73" (196mm) |
| WBA-150 | 9.75" (248mm) | 17.99" (457mm) | 9.76" (234mm) |



FORWARD THROW ADJUSTABLE



Forward Throw Adjustable Dial

- 0°
- 15°
- 35°
- 45°

WBA SERIES FORWARD THROW ADJUSTABLE

PERFORMANCE DATA / DLC CODE

| SYSTEM WATTS | CCT | VOLTAGE | LUMEN | LPW | PART NUMBER | DLC PRODUCT ID / ORDER CODE | DLC CLASS |
|---------------------------|-------|----------|-------|-----|--------------------|-----------------------------|--------------------|
| WBA-60 24W Selection | 3000K | 120-277V | 3900 | 163 | WBA-60SC-DBUNVD-P | pending | DLC 5.1 Premium |
| | 4000K | 120-277V | 4200 | 175 | | | |
| | 5000K | 120-277V | 4000 | 167 | | | |
| WBA-60 36W Selection | 3000K | 120-277V | 5600 | 156 | WBA-60SC-DBUNVD-P | pending | DLC 5.1 Premium |
| | 4000K | 120-277V | 6000 | 167 | | | |
| | 5000K | 120-277V | 5700 | 158 | | | |
| WBA-60 48W Selection | 3000K | 120-277V | 7100 | 148 | WBA-60SC-DBUNVD-P | pending | DLC 5.1 Premium |
| | 4000K | 120-277V | 7500 | 156 | | | |
| | 5000K | 120-277V | 7300 | 152 | | | |
| WBA-60 60W Selection | 3000K | 120-277V | 8400 | 140 | WBA-60SC-DBUNVD-P | pending | DLC 5.1 Premium |
| | 4000K | 120-277V | 8900 | 148 | | | |
| | 5000K | 120-277V | 8600 | 143 | | | |
| WBA-100 40W Selection | 3000K | 120-277V | 6000 | 150 | WBA-100SC-DBUNVD-P | pending | DLC 5.1 Premium |
| | 4000K | 120-277V | 6600 | 165 | | | |
| | 5000K | 120-277V | 6250 | 156 | | | |
| WBA-100 60W Selection | 3000K | 120-277V | 8700 | 145 | WBA-100SC-DBUNVD-P | pending | DLC 5.1 Premium |
| | 4000K | 120-277V | 9500 | 158 | | | |
| | 5000K | 120-277V | 9000 | 150 | | | |
| WBA-100 80W Selection | 3000K | 120-277V | 11000 | 138 | WBA-100SC-DBUNVD-P | pending | DLC 5.1 Premium |
| | 4000K | 120-277V | 12000 | 150 | | | |
| | 5000K | 120-277V | 11400 | 143 | | | |
| WBA-100 100W Selection | 3000K | 120-277V | 13000 | 130 | WBA-100SC-DBUNVD-P | pending | DLC 5.1 Premium |
| | 4000K | 120-277V | 14000 | 140 | | | |
| | 5000K | 120-277V | 13500 | 135 | | | |
| WBA-150 60W Selection | 3000K | 120-277V | 9000 | 150 | WBA-150SC-DBUNVD-P | pending | DLC 5.1 Premium |
| | 4000K | 120-277V | 10000 | 167 | | | |
| | 5000K | 120-277V | 9600 | 160 | | | |
| WBA-150 90W Selection | 3000K | 120-277V | 13000 | 144 | WBA-150SC-DBUNVD-P | pending | DLC 5.1 Premium |
| | 4000K | 120-277V | 14500 | 161 | | | |
| | 5000K | 120-277V | 13800 | 153 | | | |
| WBA-150 120W Selection | 3000K | 120-277V | 16500 | 138 | WBA-150SC-DBUNVD-P | pending | DLC 5.1 Premium |
| | 4000K | 120-277V | 18500 | 154 | | | |
| | 5000K | 120-277V | 17500 | 146 | | | |
| WBA-150 150W Selection | 3000K | 120-277V | 20000 | 133 | WBA-150SC-DBUNVD-P | pending | DLC 5.1 Premium |
| | 4000K | 120-277V | 22000 | 147 | | | |
| | 5000K | 120-277V | 21000 | 140 | | | |

WBA SERIES FORWARD THROW ADJUSTABLE

SENSOR SPEC

| Model | Type | Mounting | Coverage | Input | Function | Programmable |
|---|-----------------------|----------|----------|--------|--|-----------------------------------|
| CONTROL-LVFA (see page 8 for detail) | Fixture Controller | - | - | 12V DC | Bluetooth Mesh On/Off/Dimming Scheduling | AVI-ON Bluetooth Mobile App |
| CONTROL-BLE-SK104-PH (see page 7 for detail) | Fixture Controller | - | - | 12V DC | Bluetooth Mesh On/Off/Dimming Scheduling CCT Tuning | AVI-ON Bluetooth Mobile App |



CONTROL-LVFA

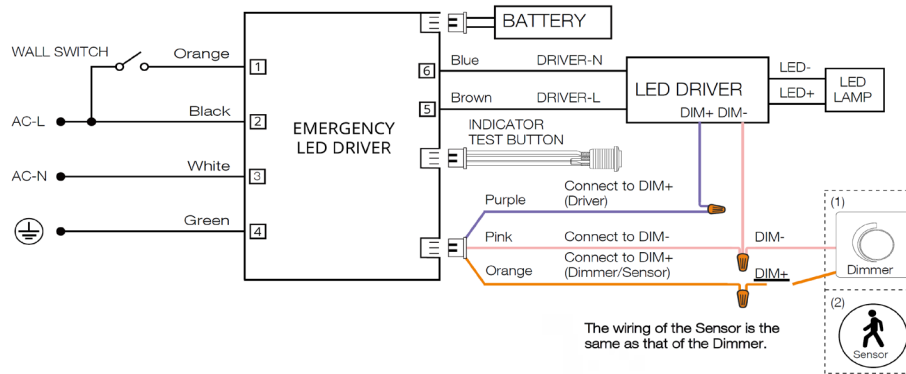


CONTROL-BLE-SK104-PH

WBA SERIES FORWARD THROW ADJUSTABLE

EMB SPEC

| Model | Battery Capacity | Input | Output | Output Power | Operating Temp | Installation |
|-------------|------------------|------------|--------|--------------|------------------------------|--------------------------|
| EMB-8W-B | 90mins | 100-347VAC | 170VDC | 8W | 0°C ~ 50°C 32°F ~ 122°F | Factory or Field Install |
| EMB-18W-B | 90mins | 100-347VAC | 170VDC | 18W | 0°C ~ 50°C 32°F ~ 122°F | Factory or Field Install |
| EMB-18W-C-B | 90mins | 100-347VAC | 170VDC | 18W | -20°C ~ 50°C -4°F ~ 122°F | Factory or Field Install |



FEATURE

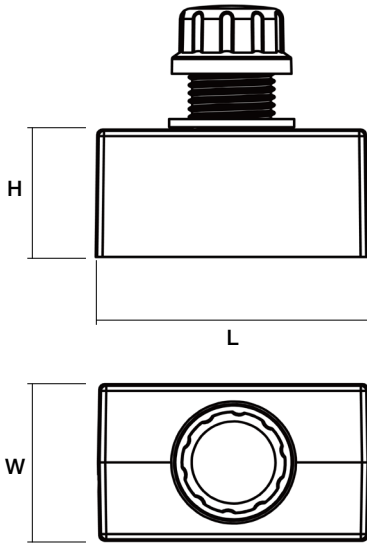
- **Installation:** Factory / Jobsite install through 1/2" knockout hole, 12V AUX power required
- **Commissioning:** Wirelessly through ALS Control Mobile App (iOS / Android)
- **Certification:** DLC 5.1 Networked Lighting Control System
- **Control:** High-End Trim, Zoning, Continuous Bi-level Dimming
- **CCT Tuning:** CCT Tuning feature for Dual/Multi-CCT LED board fixture only
- **Sensor:** Photocell
- **Zone Control:** Zoning and Grouping control, Scheduling



SPECIFICATIONS

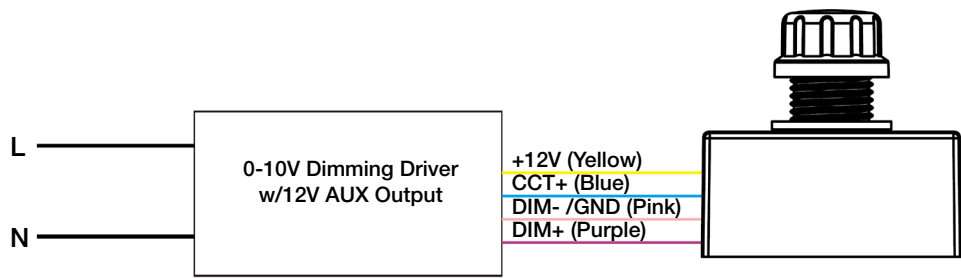
| | |
|-----------------------------|--------------------------------|
| SENSOR TYPE: | Photocell |
| WIRELESS STANDARDS: | 5.0 Bluetooth Mesh |
| INPUT VOLTAGE: | 12-14VDC, >50mA |
| CONTROL OUTPUT: | 0-10V |
| OPERATING TEMP: | -40°F ~ +158°F (-40°C ~ +70°C) |
| COMMISSIONING RANGE: | 50FT |
| BLUETOOTH RANGE: | 100FT |
| DETECTION ANGLE: | 360° |
| WARRANTY: | 5 years |
| IP RATING: | IP65 |

DIMENSIONS



| L | H | W |
|-----------------|-----------------|-----------------|
| 1.14" (29mm) | 0.94" (24mm) | 1.97" (50mm) |

WIRING DIAGRAM



WBA SERIES FORWARD THROW ADJUSTABLE

CONTROL-LVFA SPEC

Status LEDs & Config Button

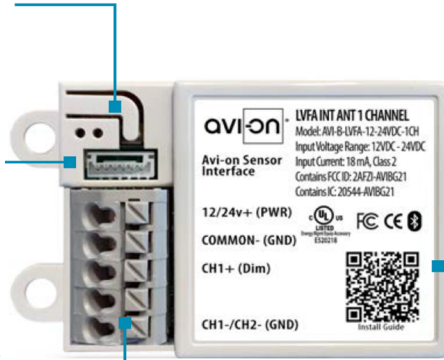
Quick and easy validation of wiring and network

Direct Connect™ Sensor Port

Simple and cost-effective addition to Avi-on sensors

Terminal Blocks & Mounting Tabs

Faster, easier and lower cost installation eliminating connectors



Internal Antenna

Improved performance and eliminates risk of accidentally cutting a hanging wire

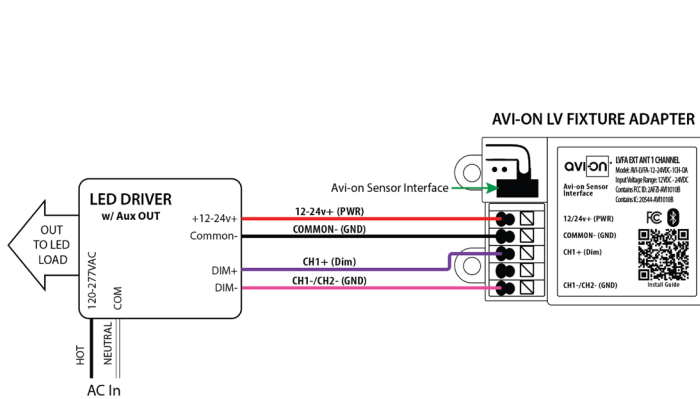
SPECIFICATIONS

INPUT VOLTAGE: 12-24VDC
CURRENT: 15mA without a Sensor
 19mA with a DC PIR Sensor
 48mA with a DC Microwave Sensor
0-10V DIMMING: 12-24VDC
SIZE: 2.30in x 1.43in x 0.75in
 (58.2mm x 36.4mm x 19mm)
MOUNTING: Removable mounting tabs
WEIGHT: 0.45 oz (16g)
OPERATING TEMP: -22°F to +158°F (-30°C to + 70°C)

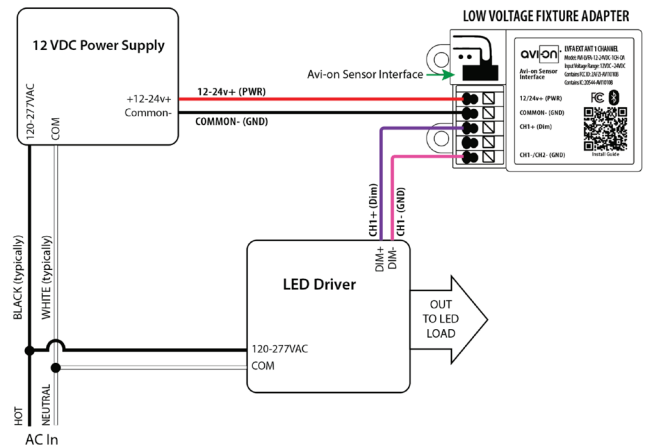
RADIO FREQUENCY: 2.4GHz
WIRELESS STANDARD: BLE 4.2 with Mesh
POINT TO POINT RANGE*: 80ft with obstructions
 350ft unobstructed
SECURITY: AES 128-bit encryption for device to device communication
 AES 256-bit encryption for device to cloud communication
WARRANTY: 5 years; 10 years optional
REGULATORY: FCC: 2AFZI-AVI1010 B
 IC: 20544-AVI1010 B
 BQB: D031801, DID: 86303
 UL 916, 2043 (Plenum Rated)

*When communicating through the mesh, range is essentially unlimited (5000ft+)

WIRING DIAGRAM



Fixture adapter powered by LED driver auxiliary output



Fixture adapter connected to LED driver and using power supply