

HBNSF SERIES NSF CERTIFIED BAY LIGHT

Client:
 Project:
 Type:
 Quantity:

CONSTRUCTION

Die-cast aluminum housing, driver enclosure detached from luminaire, increases airflow, maximizes heat dissipation and life expectancy of the luminaire.
 IP66 & IP69 rated protection against dust and powerful, high temperature water jets.
 IK08 rated protected against 5 joules impact, equivalent to impact of 1.7kg mass dropped from 300mm above impacted surface.
 Suitable for interior/exterior, wet, high pressure washdown applications.

OPTICS

High efficient clear Polycarbonate lens protects LEDs against solid and liquid impact, symmetric LED board layout offers maximum uniformity illumination.
 Distributon available in 60 / 90 / 120DEG.

ELECTRICAL

80 CRI Lumileds LED available in 3000K / 4000K / 5000K CCT
 -30°C up to 50°C (-22°F up to 122°F) maximum operating temperature.
 Long-life 131,000 hr @ L70, Ta = 25C.
 Universal Input 100-277V, 0-10V dimming, with 12V AUX output, 50/60Hz, <15% THD, 0.95 power factor.

SENSORS (OPTIONAL)

SENSOR-ANT-5-2 Integral Microwave on/off/dimming/photosensing.
 SENSOR-BLE-5-2 Integral Microwave ALS Control bluetooth/on/off/dimming/photosensing.

MOUNTING

Standard Ring Hook w/10" Safety Cable included.
 Optional Pendant Mount Adapter.

STANDARD FINISH

Corrosion resistant semi-gloss White finish.

CERTIFICATION

National Sanitation Foundation Certified & Listed.
 IP66 & IP69 Wet location label standard. IK08 Rated.
 Meets Buy America Act requirements, Available for BAA Compliant projects.
 All luminaires are built to UL1598 standards and bear appropriate cETLus labels.
 For Emergency application, equipment with UL924 certified battery packs.
 DLC® Premium (DesignLights Consortium Qualified)

WARRANTY

5 year warranty, see Limited Warranty for additional information.



SHIPPING DATA

| Product | Measurement | Weight |
|-----------|-------------------|--------|
| HBNSF-100 | 16"L x 16"W x 9"H | 10 lb |
| HBNSF-120 | 16"L x 16"W x 9"H | 10 lb |
| HBNSF-150 | 16"L x 16"W x 9"H | 11 lb |
| HBNSF-200 | 16"L x 16"W x 9"H | 12 lb |



HBNSF SERIES NSF CERTIFIED BAY LIGHT

| ORDER INFORMATION | | | | | EXAMPLE : HBNSF 100 40 60 WH UD | |
|-------------------|--------------|------------|-----|------|---------------------------------|-----------|
| Fixture | Series | Power & LM | CCT | Lens | Finish | Input |
| | HBNSF | | | | WH | UD |

| A | SERIES | |
|----------|--------------|-------------------------|
| | HBNSF | NSF Certified Bay Light |

| B | POWER & LM | | | |
|----------|------------|-------|----------|---------|
| | Code | Power | LM | LPW |
| | 100 | 100W | 14,000lm | 140lm/W |
| | 120 | 120W | 16,800lm | 140lm/W |
| | 150 | 150W | 21,000lm | 140lm/W |
| | 200 | 200W | 28,000lm | 140lm/W |

| C | CCT | |
|----------|-----------|-------|
| | 30 | 3000K |
| | 40 | 4000K |
| | 50 | 5000K |

| D | LENS | |
|----------|------------|--------|
| | 60 | 60DEG |
| | 90 | 90DEG |
| | 120 | 120DEG |

| E | FINISH | |
|----------|-----------|-------|
| | WH | White |

| F | INPUT | |
|----------|-----------|--------------------------|
| | UD | 120-277V, 0-10V Dimmable |

HBNSF SERIES NSF CERTIFIED BAY LIGHT

ORDER INFORMATION (CONTINUED)

Mounting

Accessories
 Options

G MOUNTING

blank Ring Hook w/10" Safety Cable (standard)
MOUNT-HBNSF-P 3/4" Pendant Mount Adapter

H ACCESSORIES/OPTIONS

BAA Assembled in America, compliant with BAA (COTS)
SENSOR-ANT-5-2* Integral Microwave on/off/dimming/photosensing
SENSOR-BLE-5-2* Integral Microwave Bluetooth on/off/dimming/photosensing (ALS Control Mobile App)
REMOTE-RC100 Handheld Remote Commissioning Tool for SENSOR-ANT (1 per job)
EMB-40W* Wet Location Self-Diagnostic Emergency Battery 40W 100-347VAC Input 170VDC Output
-CORD 18-3 300V 6 Foot Cord
-PLUG 6 Foot Cord and 3 Prong Plug
TWIST-LOCK Specify Plug Type: **L515P / L715P / HBL5929 / L8-20P**

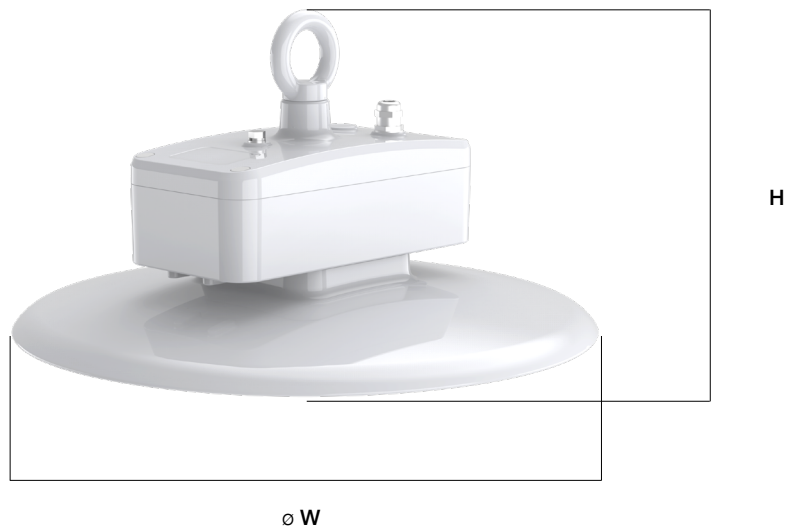
*see page 6 for sensor spec

HBNSF SERIES NSF CERTIFIED BAY LIGHT

DIMENSIONS

| Model | H | W |
|-----------|---------------|-----------------|
| HBNSF-100 | 8.30" (211mm) | ø 15.66"(398mm) |
| HBNSF-120 | | |
| HBNSF-150 | | |
| HBNSF-200 | | |

Luminaire



HBNSF SERIES NSF CERTIFIED BAY LIGHT

PERFORMANCE

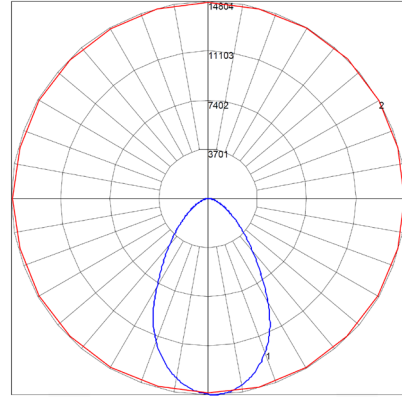
HBNSF-150 @ 150W 5000K 60DEG

| Zone | Lumen | Luminaire% |
|------|-------|------------|
| 0-30 | 9765 | 49.60 |
| 0-40 | 13769 | 70.00 |
| 0-60 | 18308 | 93.00 |
| 0-90 | 19681 | 100 |

Lumen: 19680
 Input Watts: 148.63 W
 Efficacy: 132 LPW

Maximum Candela = 14804 Located At Horizontal Angle = 45, Vertical Angle = 2
 # 1 - Vertical Plane Through Horizontal Angles (45 - 225) (Through Max. Cd.)
 # 2 - Horizontal Cone Through Vertical Angle (2) (Through Max. Cd.)

IES: HBNSF-1505060 @ 150W 5000K 60 DEG



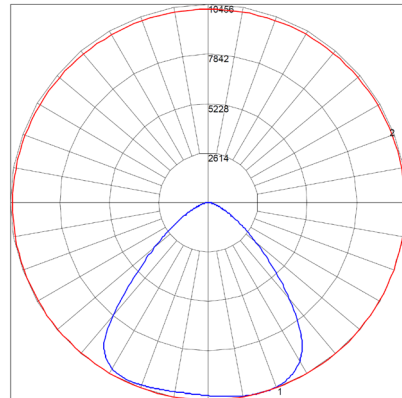
HBNSF-150 @ 150W 5000K 90DEG

| Zone | Lumen | Luminaire% |
|------|-------|------------|
| 0-30 | 8638 | 40.00 |
| 0-40 | 14148 | 65.60 |
| 0-60 | 20232 | 93.80 |
| 0-90 | 21575 | 100 |

Lumen: 21575
 Input Watts: 150.33 W
 Efficacy: 144 LPW

Maximum Candela = 10456 Located At Horizontal Angle = 292.5, Vertical Angle = 15.5
 # 1 - Vertical Plane Through Horizontal Angles (292.5 - 112.5) (Through Max. Cd.)
 # 2 - Horizontal Cone Through Vertical Angle (15.5) (Through Max. Cd.)

IES: HBNSF-1505090 @ 150W 5000K 90 DEG



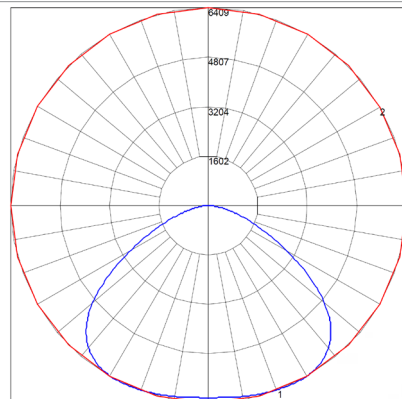
HBNSF-150 @ 150W 5000K 120DEG

| Zone | Lumen | Luminaire% |
|------|-------|------------|
| 0-30 | 5361 | 26.70 |
| 0-40 | 9292 | 46.30 |
| 0-60 | 17082 | 85.00 |
| 0-90 | 20085 | 100 |

Lumen: 20085
 Input Watts: 150.59 W
 Efficacy: 133 LPW

Maximum Candela = 6408.9 Located At Horizontal Angle = 0, Vertical Angle = 26
 # 1 - Vertical Plane Through Horizontal Angles (0 - 180) (Through Max. Cd.)
 # 2 - Horizontal Cone Through Vertical Angle (26) (Through Max. Cd.)

IES: HBNSF-15050120 @ 150W 5000K 120 DEG



HBNSF SERIES NSF CERTIFIED BAY LIGHT

SENSOR SPEC

| Model | Type | Mounting | Coverage | Input | Function | Programmable |
|---|-----------|------------|-------------|--------|---|--|
| SENSOR-ANT-5-2 | Microwave | up to 40FT | 30FT radius | 12V DC | On/Off/Dimming | REMOTE-RC100 |
| SENSOR-BLE-5-2 (see page 7 for detail) | Microwave | up to 40FT | 30FT radius | 12V DC | Bluetooth Mesh On/Off/Dimming Daylight Harvesting | ALS Control Bluetooth Mobile App |

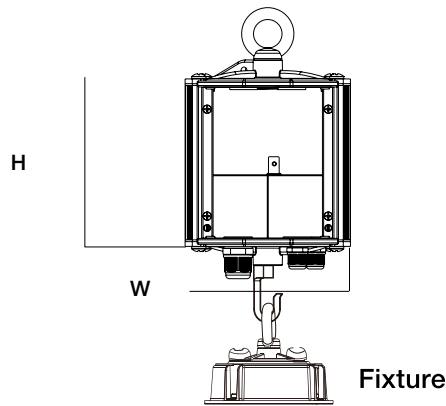


SENSOR-ANT-5-2
 SENSOR-BLE-5-2

HBNSF SERIES NSF CERTIFIED BAY LIGHT

EMERGENCY BATTERY

| Model | H | W | Compatible |
|---------|------------------|--------------------|----------------|
| EMB-40W | 6.80" (173.00mm) | ø 5.47" (139.00mm) | 120W and above |

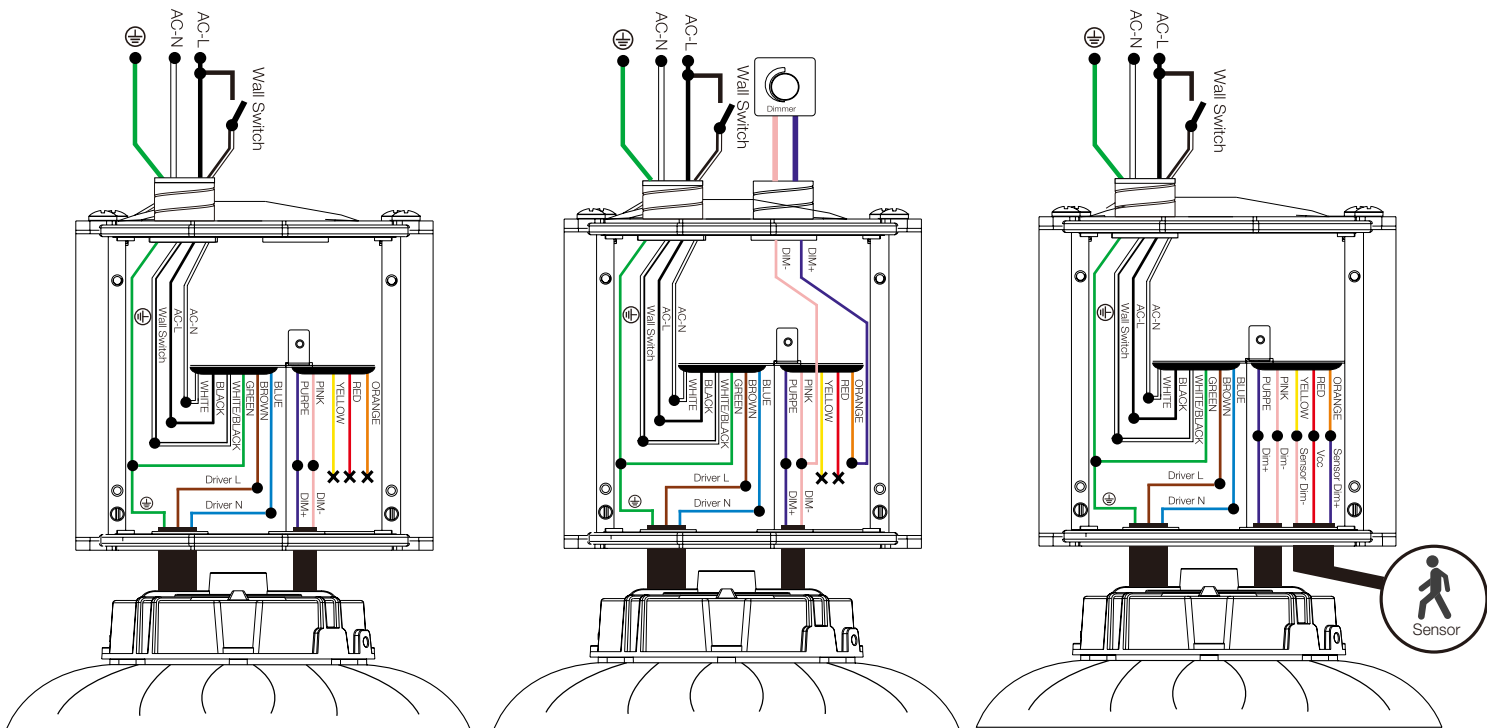


EMERGENCY BATTERY DIAGRAM

On/Off

w/0-10V Dimmer

**w/DC Sensor
 SENSOR-ANT-6-4T**



FEATURE

- **Installation:** Factory Install - Integral to Fixture
- **Commissioning:** Wirelessly through ALS Control Mobile App (iOS / Android)
- **Certification:** DLC 5.1 Networked Lighting Control System
- **Control:** Hold time, High-Low setting, continuous Bi-level dimming, Code-compliant manual-on or auto-off capability
- **Sensor:** Motion (Occupancy/Vacancy/Manual) and Daylight Harvesting
- **Room and Zone Control:** Zoning and Grouping control, Scheduling

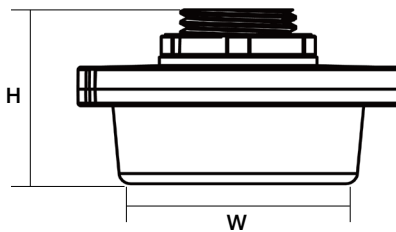


SPECIFICATIONS

SENSOR TYPE: Microwave
WIRELESS STANDARDS: Bluetooth SIG Mesh
INPUT VOLTAGE: 12-24VDC, >50mA
CONTROL OUTPUT: 0-10V
OPERATING TEMP: -4°F ~ +140°F (-20°C ~ +60°C)

COMMISSIONING RANGE: 50FT
BLUETOOTH RANGE: Integral antenna up to 164FT
DETECTION ANGLE: 360°
MOUNTING HEIGHT: Up to 40FT
WARRANTY: 5 years
IP RATING: IP65

DIMENSIONS



| H | W |
|----------------|--------------------|
| 1.2" (31mm) | Ø 1.7" (Ø 43mm) |

COVERAGE PATTERNS

