



STR SERIES STAIRWELL LINEAR

Client:
Project:
Type:
Quantity:

CONSTRUCTION

Precision-formed 22-gauge stamped sheet metal housing with reinforced bends for added rigidity. Seam-welded ends and a corrosion-resistant powder coat ensure structural strength and long-term durability.

OPTICS

End-to-end frosted polycarbonate (PC) lens standard.

ELECTRICAL

Delivered 150lm/W efficacy LEDs offer 80+ color rendering index (CRI), L70 >100,000 hours expected life.

-40°C up to 50°C (-40°F up to 122°F) maximum operating temperature.

Selectable lumen and CCT technology allows easy field-adjustable capability.

Luminaire ships with maximum output and 4000K CCT setting.

Driver operates at 120-277V input, 0-10V dim-to-off driver.

Built-in Failed-On Ultrasonic sensor (Part# SENSOR-USS-CMP308).

SENSORS (OPTIONAL)

CONTROL-LVFA AVI-ON Bluetooth Mesh Controller.

MOUNTING

Designed for wall / surface mount application over electrical box.

STANDARD FINISH

Corrosion resistant semi-gloss White finish, suitable for damp location.

CERTIFICATION

Damp location label standard.

Meets Buy America Act requirements.

All luminaires are built to UL1598 standards and bear appropriate cULus labels.

For Emergency application, equipment with UL924 certified battery packs.

DLC® Standard (DesignLights Consortium Qualified).

WARRANTY

5 year warranty, see Limited Warranty for additional information.



Fixture w/Ultrasonic Sensor



Programmable Ultrasonic Sensor

SHIPPING DATA

Product	Measurement	Weight
STR-2ASC	24"L x 6"W x 5"H	7 lb
STR-4ASC	48"L x 6"W x 5"H	15 lb



STR SERIES STAIRWELL LINEAR

ORDER INFORMATION **EXAMPLE: STR 4A SC WH UD**

Fixture	Series	Size	CCT	Finish	Input
	STR		SC	WH	UD

Accessories
Options

A SERIES

STR LED Stairwell

B SIZE

Code	Size	Power	OUTPUT
2A	2-Foot	Selectable 13W / 17W / 21W / 26W	2,000 / 2,600 / 3,200 / 3,900LM
4A	4-Foot	Selectable 34W / 40W / 47W / 53W	5,100 / 6,000 / 7,000 / 8,000LM

C CCT / OUTPUT

Code	CCT
SC	Selectable 2700K / 3000K / 3500K / 4000K / 5000K

D FINISH

WH White

E INPUT

UD-USS 120-277V, 0-10V Dimmable w/Ultrasonic Motion Sensor (PART# SENSOR-USS-CMP308)

F ACCESSORIES/OPTIONS

BAA	Assembled in America, compliant with BAA (COTS)
EMB-8W-B**	90-Minute Self-Diagnostic Emergency Battery 8W 100-347VAC Input 170VDC Output
EMB-18W-B**	90-Minute Self-Diagnostic Emergency Battery 18W 100-347VAC Input 170VDC Output
EMB-18W-C-B**	90-Minute Self-Diagnostic Emergency Battery 18W 100-347VAC Input 170VDC Output -20°C-50°C (-4°F-122°F)
CONTROL-LVFA*	AVI-ON Bluetooth Mesh Control System
SURGE-LSP4-U	10kV inline Surge Protection for Universal input

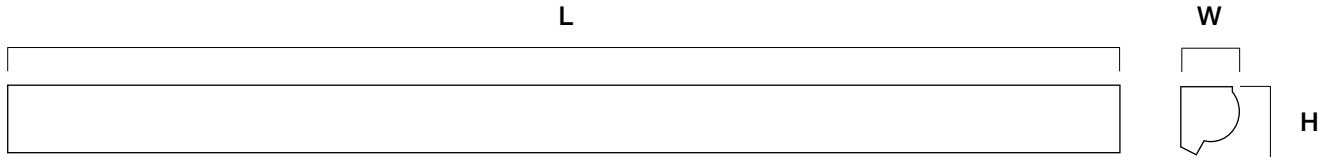
*see page 5 for sensor spec

**see page 6 for emb spec

STR SERIES STAIRWELL LINEAR

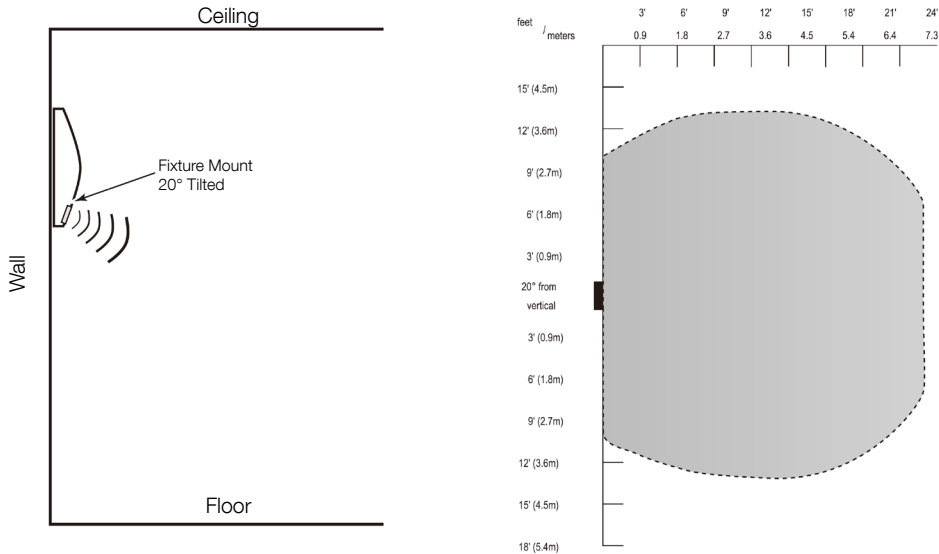
DIMENSIONS

Model	L	W	H
STR-2ASC	23.90" (608mm)	5.60" (142.60mm)	4.90" (124.10mm)
STR-4ASC	47.90" (1216.20mm)	5.60" (142.60mm)	4.90" (124.10mm)



ULTRASONIC SENSOR

8 - 10FT Mounting Height Coverage



The coverage shown represents full-step walking motion, with no barriers or obstacles at a mounting height of 8 to 10 feet. Mounting above or below this range significantly affects coverage patterns. Place sensors at least 4 feet away from air supply ducts. For complete coverage in open areas, install multiple sensors to provide a 20% overlap with each adjacent sensor's coverage area.

STR SERIES STAIRWELL LINEAR

PERFORMANCE DATA

SYSTEM WATTS	SIZE	VOLTAGE	2700K / 3000K / 3500K / 4000K / 5000K	
			LUMEN	LPW
13W	2-Foot	120-277V	2000	150
17W	2-Foot	120-277V	2600	150
21W	2-Foot	120-277V	3200	150
26W	2-Foot	120-277V	3900	150
34W	4-Foot	120-277V	5100	150
40W	4-Foot	120-277V	6000	150
47W	4-Foot	120-277V	7000	150
53W	4-Foot	120-277V	8000	150

DLC CODE

Part Number	DLC Product ID	DLC Class
STR-2A-SC-WHUD	pending	DLC Premium
STR-4A-SC-WHUD	pending	DLC Premium

STR SERIES STAIRWELL LINEAR

SENSOR SPEC

Model	Type	Mounting	Coverage	Input	Function	Programmable
SENSOR-USS-CMP308 (included)	Ultrasonic	8FT 10FT	12 x 21FT	10V DC	On/Off Motion Daylight Sensing	Dipswitch on Unit
CONTROL-LVFA (see page 7 for detail)	Fixture Controller	-	-	12V DC	Bluetooth Mesh On/Off/Dimming Scheduling	AVI-ON Bluetooth Mobile App



SENSOR-USS-CMP308

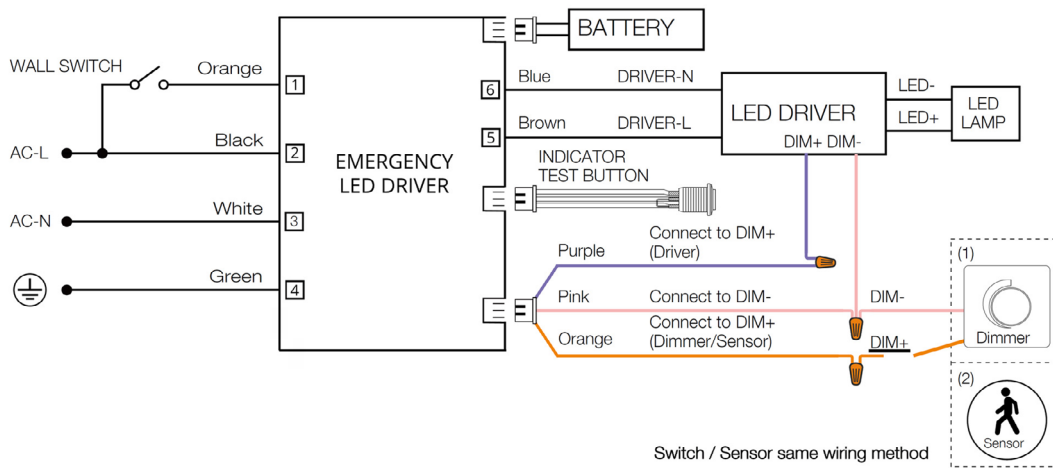


CONTROL-LVFA

STR SERIES STAIRWELL LINEAR

EMB SPEC

Model	Compatible Fixture	Battery Capacity	Input	Output	Output Power	Operating Temp	Installation
EMB-8W-B		90mins	100-347VAC	170VDC	8W	0°C ~ 50°C 32°F ~ 122°F	Factory or Field Install
EMB-18W-B		90mins	100-347VAC	170VDC	8W	0°C ~ 50°C 32°F ~ 122°F	Factory or Field Install
EMB-18W-C-B		90mins	100-347VAC	170VDC	8W	-20°C ~ 50°C -4°F ~ 122°F	Factory or Field Install



STR SERIES STAIRWELL LINEAR

CONTROL-LVFA SPEC

Status LEDs & Config Button

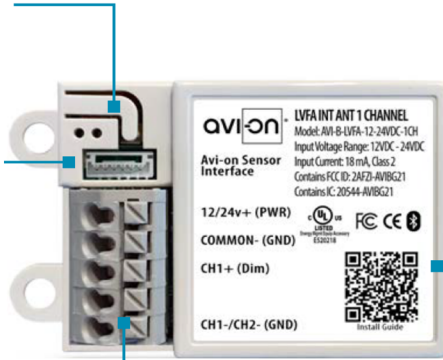
Quick and easy validation of wiring and network

Direct Connect™ Sensor Port

Simple and cost-effective addition to Avi-on sensors

Terminal Blocks & Mounting Tabs

Faster, easier and lower cost installation eliminating connectors



Internal Antenna

Improved performance and eliminates risk of accidentally cutting a hanging wire

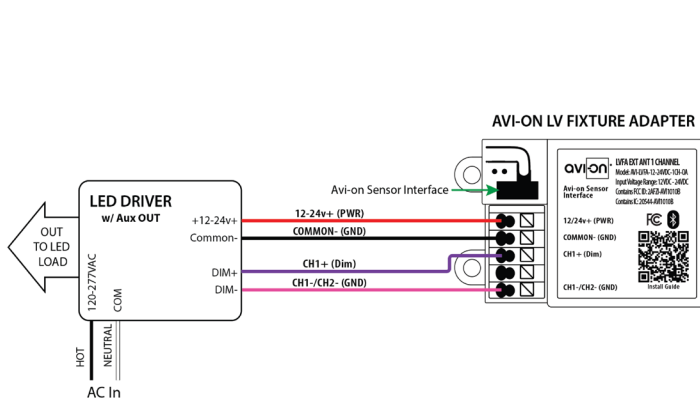
SPECIFICATIONS

INPUT VOLTAGE: 12-24VDC
CURRENT: 15mA without a Sensor
 19mA with a DC PIR Sensor
 48mA with a DC Microwave Sensor
0-10V DIMMING: 12-24VDC
SIZE: 2.30in x 1.43in x 0.75in
 (58.2mm x 36.4mm x 19mm)
MOUNTING: Removable mounting tabs
WEIGHT: 0.45 oz (16g)
OPERATING TEMP: -22°F to +158°F (-30°C to + 70°C)

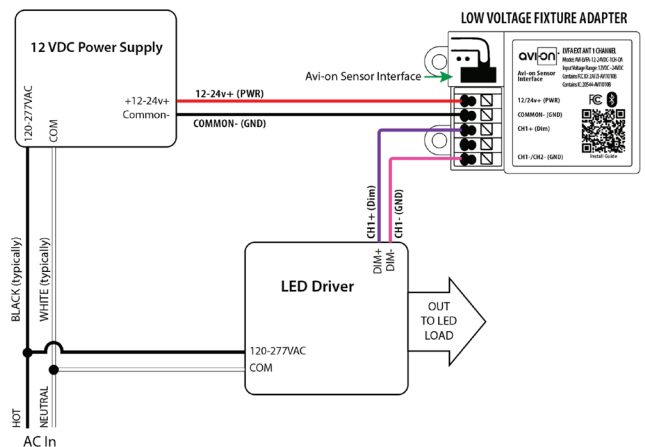
RADIO FREQUENCY: 2.4GHz
WIRELESS STANDARD: BLE 4.2 with Mesh
POINT TO POINT RANGE*: 80ft with obstructions
 350ft unobstructed
SECURITY: AES 128-bit encryption for device to device communication
 AES 256-bit encryption for device to cloud communication
WARRANTY: 5 years; 10 years optional
REGULATORY: FCC: 2AFZI-AVI1010 B
 IC: 20544-AVI1010 B
 BQB: D031801, DID: 86303
 UL 916, 2043 (Plenum Rated)

*When communicating through the mesh, range is essentially unlimited (5000ft+)

WIRING DIAGRAM



Fixture adapter powered by LED driver auxiliary output



Fixture adapter connected to LED driver and using power supply