



BL2A SERIES ARCHITECTURAL BOLLARD

Client:
Project:
Type:
Quantity:

CONSTRUCTION

Low profile extruded aluminum shaft with thick side walls for excellent durability, Features a sleek, modern design and carefully engineered to provide long-lasting, energy-efficient lighting. Die-cast aluminum mounting base allows for easy leveling even in sloped locations and a full 360-degree rotation for precise alignment during installation.

OPTICS

Frosted Polycarbonate lens offer glare-free uniform illumination.
Efficacy higher than 140 lm/W.



ELECTRICAL

70+ CRI. -40°C up to 40°C (-40°F up to 113°F) maximum operating temperature.
Designed for an expected life >50,000 hours.
CCT selectable light engine 3000K ~ 5000K.
>.9 power factor, 50/60Hz, <20% THD.
Driver operates at 120-277V, 347V input, 0-10V dimmable driver, down to 10%.
Optional 10kV surge protection.
Built-in Photocell.

CONTROL (OPTIONAL)

CONTROL-LVFA AVI-ON Bluetooth Mesh Controller.

STANDARD FINISH

Corrosion resistant Dark Bronze coating finish.

CUSTOM FINISH

Corrosion resistant Black, Graphite Metallic, Gray, Silver, White, Custom RAL#

SHIPPING DATA

Product	Measurement	Weight
BL2A-24SC	43"L x 12"W x 12"H	13 lb

CERTIFICATION

Meets Buy America Act requirements.
IP65 Wet location label listed.
All luminaires are built to UL1598 standards and bear appropriate cULus labels.
For Emergency application, equipment with UL924 certified battery packs.
DLC® Premium (DesignLights Consortium Qualified)

WARRANTY

5 year warranty, see Limited Warranty for additional information.



BL2A SERIES ARCHITECTURAL BOLLARD

ORDER INFORMATION **EXAMPLE : BL2A 24 SC 33 DB UD-P**

Fixture	Series	Power & LM	CCT	Shaft Size	Finish	Input
	BL2A	24	SC	33		

Accessories
Options

A SERIES

BL2A Architectural Bollard

B POWER & LM

Code	Power	LM
24	Selectable 14W / 19W / 24W	Selectable 1,900lm / 2,500lm / 3,200lm

C CCT

SC Field Selectable 3000K / 4000K / 5000K

D SHAFT SIZE

33 33 inch (Fixture Overall Height 41.65 inches)

E FINISH

Standard						
DB	Dark Bronze					
Custom Color						
CC	BK	Black	GM	Graphite Metallic	GR	Gray
	SV	Silver	WH	White	RAL#	

F INPUT

UD-P 120-277V, 0-10 Dimming with Built-in Photocell
 *see page 4 for spec

G ACCESSORIES/OPTIONS

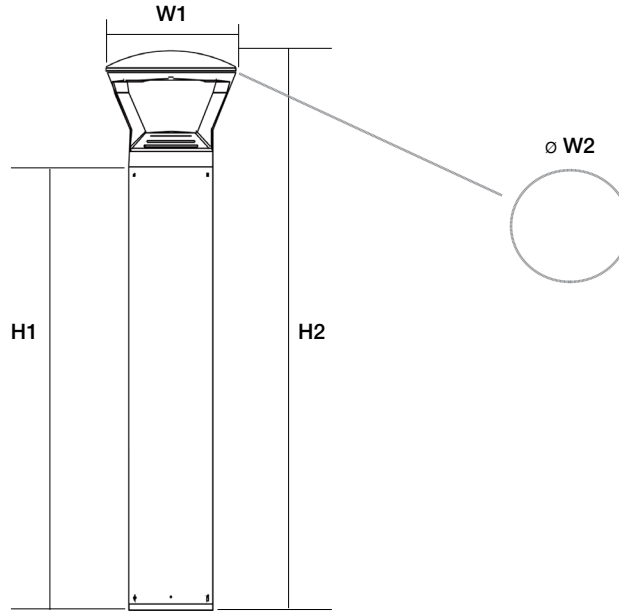
BAA	Assembled in America, compliant with BAA (COTS)
MOUNT-BL2A-BOLT	Spare Anchor Bolts Set
EMB-8W-B*	90-Minute Self-Diagnostic Emergency Battery 8W 100-347VAC Input 170VDC Output
EMB-18W-B*	90-Minute Self-Diagnostic Emergency Battery 18W 100-347VAC Input 170VDC Output
EMB-18W-C-B*	90-Minute Self-Diagnostic Emergency Battery 18W 100-347VAC Input 170VDC Output -20°C-50°C (-4°F-122°F)
SURGE-LSP4-U	10kV Inline Surge Protection for Universal Input
CONTROL-LVFA*	AVI-ON Bluetooth Mesh Control System

*see page 5 sensor and EMB spec

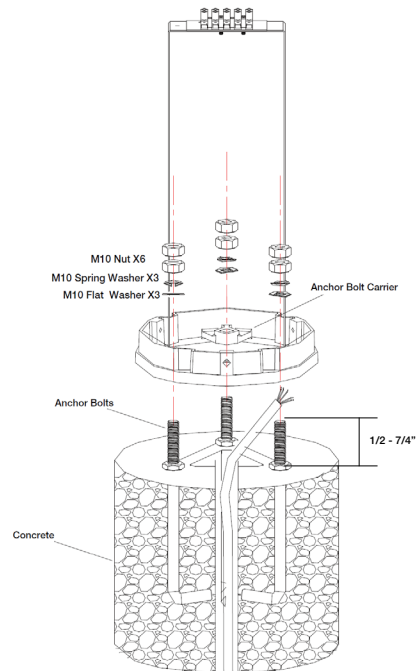
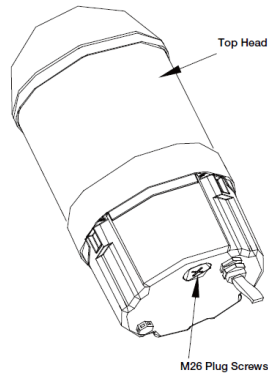
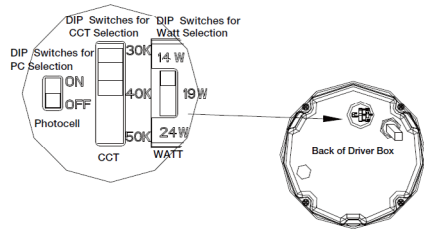
BL2A SERIES ARCHITECTURAL BOLLARD

DIMENSIONS

Model	W1	W2	H1	H2
BL2A-24SC	9.80" (249mm)	ø 9.80" (ø248mm)	33.03" (839mm)	41.65" (1058mm)



INSTALLATION INFORMATION





BL2A SERIES ARCHITECTURAL BOLLARD

PERFORMANCE DATA

SYSTEM WATTS	3000K (70CRI)			4000K (70CRI)			5000K (70CRI)		
	LUMENS	LPW	BUG RATING	LUMENS	LPW	BUG RATING	LUMENS	LPW	BUG RATING
14W	1745	127	B1-U0-G1	1869	140	B1-U0-G1	1805	130	B1-U0-G1
19W	2350	127	B2-U0-G2	2517	139	B2-U0-G2	2431	130	B2-U0-G2
24W	2970	125	B2-U0-G2	3181	137	B2-U0-G2	3072	128	B2-U0-G2

BL2A SERIES ARCHITECTURAL BOLLARD

SENSOR SPEC

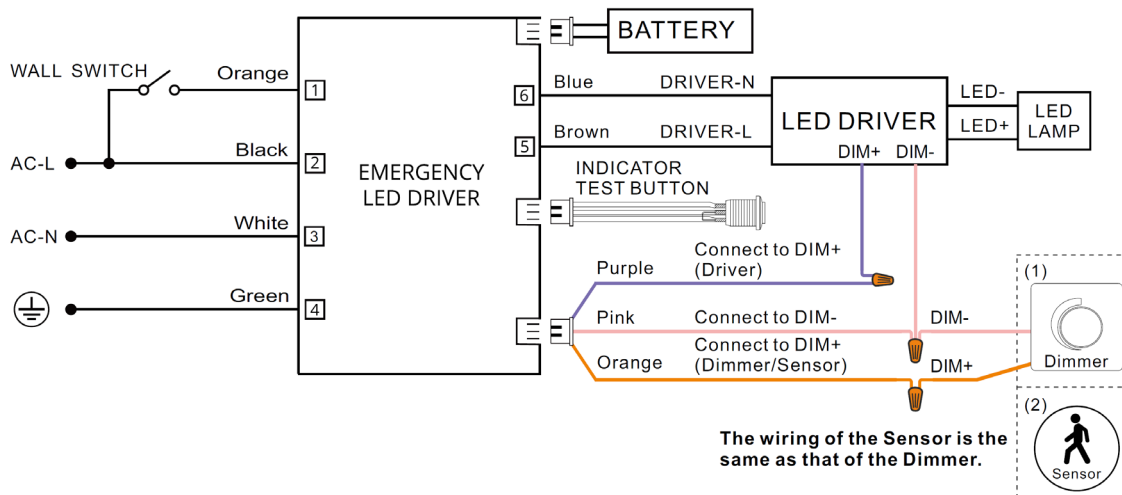
Model	Type	Mounting	Coverage	Input	Function	Programmable
-	-	Built in the PCB	-	-	Dusk-to-Dawn Control	-
CONTROL-LVFA (see page 6 for detail)	Fixture Controller	-	-	12V DC	Bluetooth Mesh On/Off/Dimming Scheduling	AVI-ON Bluetooth Mobile App



CONTROL-LVFA

EMB SPEC

Model	Battery Capacity	Input	Output	Output Power	Operating Temp	Installation
EMB-8W-B	90mins	100-347VAC	170VDC	8W	0°C ~ 50°C 32°F ~ 122°F	Factory or Field Install
EMB-18W-B	90mins	100-347VAC	170VDC	18w	0°C ~ 50°C 32°F ~ 122°F	Factory or Field Install
EMB-18W-C-B	90mins	100-347VAC	170VDC	18w	-20°C ~ 50°C -4°F ~ 122°F	Factory or Field Install



BL2A SERIES ARCHITECTURAL BOLLARD

CONTROL-LVFA SPEC

Status LEDs & Config Button

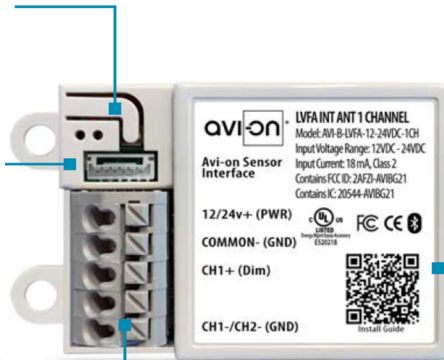
Quick and easy validation of wiring and network

Direct Connect™ Sensor Port

Simple and cost-effective addition to Avi-on sensors

Terminal Blocks & Mounting Tabs

Faster, easier and lower cost installation eliminating connectors



Internal Antenna

Improved performance and eliminates risk of accidentally cutting a hanging wire

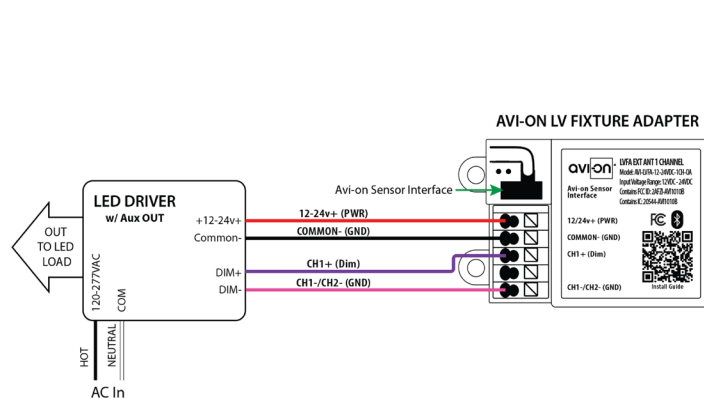
SPECIFICATIONS

INPUT VOLTAGE: 12-24VDC
CURRENT: 15mA without a Sensor
 19mA with a DC PIR Sensor
 48mA with a DC Microwave Sensor
0-10V DIMMING: 12-24VDC
SIZE: 2.30in x 1.43in x 0.75in
 (58.2mm x 36.4mm x 19mm)
MOUNTING: Removable mounting tabs
WEIGHT: 0.45 oz (16g)
OPERATING TEMP: -22°F to +158°F (-30°C to + 70°C)

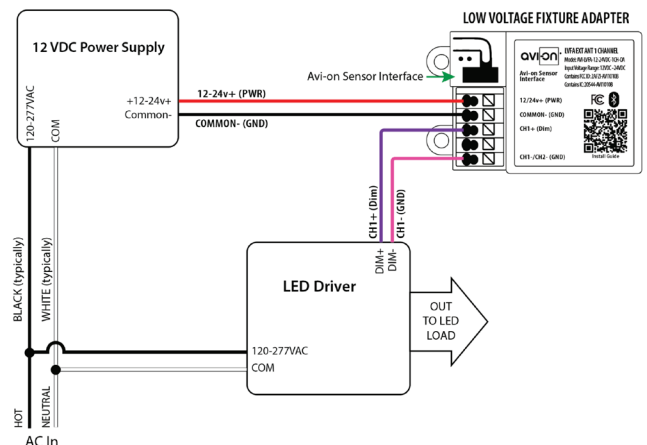
RADIO FREQUENCY: 2.4GHz
WIRELESS STANDARD: BLE 4.2 with Mesh
POINT TO POINT RANGE*: 80ft with obstructions
 350ft unobstructed
SECURITY: AES 128-bit encryption for device to device communication
 AES 256-bit encryption for device to cloud communication
WARRANTY: 5 years; 10 years optional
REGULATORY: FCC: 2AFZI-AVI1010 B
 IC: 20544-AVI1010 B
 BQB: D031801, DID: 86303
 UL 916, 2043 (Plenum Rated)

*When communicating through the mesh, range is essentially unlimited (5000ft+)

WIRING DIAGRAM



Fixture adapter powered by LED driver auxiliary output



Fixture adapter connected to LED driver and using power supply