

WFA SERIES SLIM FULL CUTOFF WALL PACK

Client:
 Project:
 Type:
 Quantity:

CONSTRUCTION

Sleek and modern design, die-cast aluminum housing, rugged design protects internal components and provides excellent thermal management.
 Hidden door assembly hinges on the side, cast aluminum housing with 1/2" conduit entries (on top and side) for surface conduit.

OPTICS

Full cut-off distribution conform to dark sky requirement - individual acrylic LED optics provide IES Type IV distribution.
 Standard model - Light engines available between 4000K, 5000K (80+ CRI)
 SC model - Light engines are selectable between 3000K, 4000K, and 5000K (80+ CRI) configurations.

ELECTRICAL

80+ CRI Lumileds LED.
 -40°C up to 40°C (-40°F up to 104°F) maximum operating temperature.
 >54,000 hr LED at L70.
 Driver operates at 120-277V input, 50/60Hz, <20% THD, 0.9 power factor, 1-10V dimmable.
 Optional 10kV surge protector.
 Optional 347V / 480V Driver.
 Optional Self-Diagnostic emergency back up.

SENSOR (OPTIONAL)

SENSOR-PH-PB-U Integral Button Style Photocell.
 CONTROL-LVFA AVI-ON Bluetooth Mesh Controller.

MOUNTING

Wall mount over electrical box or via surface conduit.

STANDARD FINISH

Corrosion resistant Dark Bronze powder coating finish.

CUSTOM FINISH

Black, Graphite Metallic, Gray, Silver, and White, or custom RAL#.

CERTIFICATION

Wet Location Listed.
 Meets Buy America Act requirements.
 IDA compliant: with 3000K color temperature selection.
 Title 24 compliant; see local ordinance for qualification information.
 All luminaires are built to UL1598 standards and bear appropriate cULus labels.
 For Emergency application, equipped with UL924 certified battery packs.

WARRANTY

5 year warranty, see Limited Warranty for additional information.



SHIPPING DATA

Product	Measurement	Weight
WFA-3SC	15"L x 5"W x 11"H	8 lb
WFA-38	15"L x 5"W x 11"H	8 lb
WFA-6SC	15"L x 6"W x 11"H	10 lb
WFA-65	15"L x 5"W x 11"H	10 lb
WFA-10SC	15"L x 5"W x 11"H	10 lb



WFA SERIES SLIM FULL CUTOFF WALL PACK

ORDER INFORMATION **EXAMPLE: WFA 3 SC DB UD**

Fixture	Series	Power & LM	CCT	Finish	Input
	WFA		SC		

Accessories
Options

A SERIES

WFA Slim Full Cutoff Wall Pack

B POWER & LM **B POWER & LM (NON-DIMMABLE)**

Code	Power
3	Selectable 17W / 23W / 30W / 38W
6	Selectable 24W / 34W / 49W / 65W
10	Selectable 42W / 62W / 84W / 100W

Code	Power
38	38W
65	65W
100	100W
135	135W

C CCT **C CCT (NON-DIMMABLE)**

SC CCT Selectable: 3000K / 4000K / 5000K

40	4000K
50	5000K

D FINISH

Standard

DB Dark Bronze

Custom Color

CC	BK Black	GM Graphite Metallic	GR Gray
	SV Silver	WH White	RAL#

E INPUT **E INPUT (NON-DIMMABLE)**

UD 120-277V, 0-10 dimming
HD 347-480V, 0-10 dimming

U 120-277V, non-dimming
H 347-480V, non-dimming

F ACCESSORIES/OPTIONS

- BAA** Assembled in America, compliant with BAA (COTS)
- EMB-8W-B*** 90-Minute Self-Diagnostic Emergency Battery 8W 100-347VAC Input 170VDC Output
- EMB-18W-B** 90-Minute Self-Diagnostic Emergency Battery 18W 100-347VAC Input 170VDC Output
- EMB-18W-C-B*** 90-Minute Self-Diagnostic Emergency Battery 18W 100-347VAC Input 170VDC Output -20°C-50°C (-4°F-122°F)
- EMB-CM08D*** 90-Minute Self-Diagnostic Emergency Battery 8W for Non-Dimmable Fixture (WFA-26 ~ WFA-135)
- SENSOR-PH-PB-U*** Button Style Photocell
- CONTROL-LVFA*** AVI-ON Bluetooth Mesh Control System
- SURGE-LSP4-U / H** 10kV inline Surge Protection for Universal input / **U**: 120-277V, **H**: 480V input
- GTD-ESRLUD**** Emergency Battery Generator Transfer Device 120-277 VAC Input

*see page 5 for sensor and EMB spec

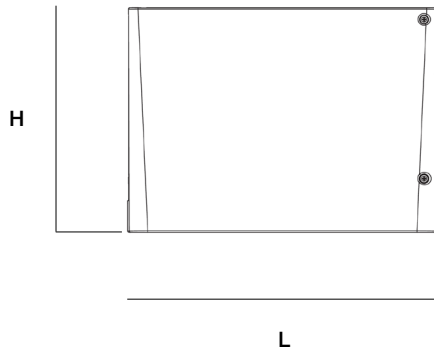
**see page 7 and 8 for GTD spec

WFA SERIES SLIM FULL CUTOFF WALL PACK

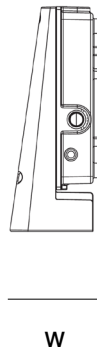
DIMENSIONS

Model	L	W	H
WFA-3 / 6 WFA-38	13.1" (333mm)	3.8" (98mm)	9.6" (243mm)
WFA-65 / 100 / 135 WFA-10	13.2" (335mm)	5.0" (126mm)	9.6" (243mm)

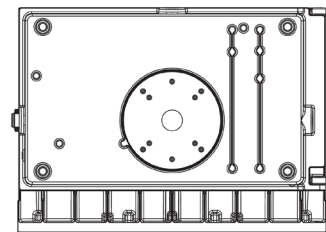
Front



Side



Back





WFA SERIES SLIM FULL CUTOFF WALL PACK

PERFORMANCE DATA

SYSTEM WATTS	VOLTAGE	3000K		4000K		5000K	
		LUMEN	LPW	LUMENS	LPW	LUMENS	LPW
WFA-3 (17W)	120-277V	2,414	142	2,618	154	2,482	146
WFA-3 (23W)	120-277V	3,266	142	3,634	158	3,358	146
WFA-3 (30W)	120-277V	4,410	147	4,740	158	4,500	150
WFA-3 (38W)	120-277V	5,586	147	6,004	158	5,700	150
WFA-38	120-277V	-	-	5,700	150	5,700	150
WFA-65	120-277V	-	-	9,685	149	9,685	149
WFA-6 (24W)	120-277V	3,408	142	3,696	154	3,504	146
WFA-6 (34W)	120-277V	4,998	147	5,372	158	4,964	146
WFA-6 (49W)	120-277V	7,203	147	7,546	154	7,105	145
WFA-6 (65W)	120-277V	9,295	143	10,075	155	9,425	145
WFA-10 (42W)	120-277V	5,964	142	6,468	154	6,132	146
WFA-10 (62W)	120-277V	9,052	146	9,548	154	9,238	149
WFA-10 (84W)	120-277V	12,348	147	12,936	154	12,180	145
WFA-10 (100W)	120-277V	14,800	148	15,500	155	15,000	150
WFA-100	120-277V	-	-	15,000	150	15,000	150
WFA-135	120-277V	-	-	19,980	148	19,980	148

WFA SERIES SLIM FULL CUTOFF WALL PACK

SENSOR SPEC

Model	Type	Mounting	Coverage	Input	Function	Programmable
SENSOR-PH-PB-U	-	-	-	Universal	Dusk-to-Dawn Control	-
CONTROL-LVFA (see page 6 for detail)	Fixture Controller	-	-	12V DC	Bluetooth Mesh On/Off/Dimming Scheduling	AVI-ON Bluetooth Mobile App



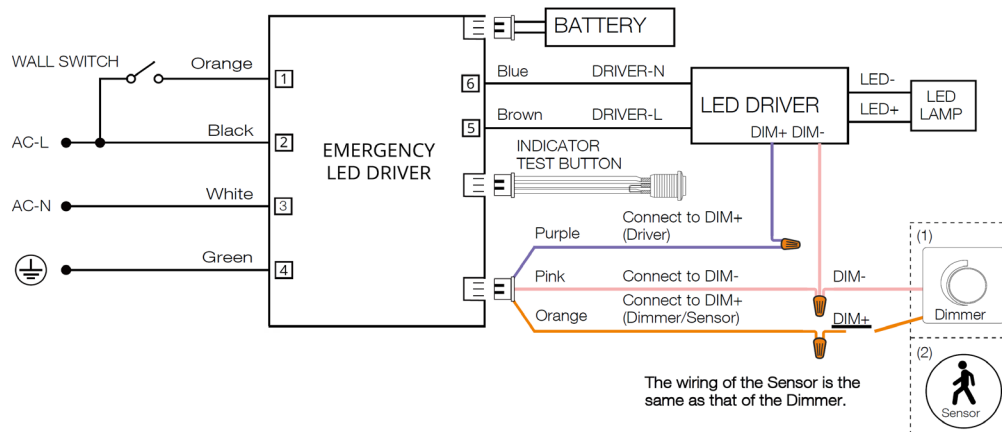
SENSOR-PH-PB-U



CONTROL-LVFA

EMB SPEC

Model	Battery Capacity	Input	Output	Output Power	Operating Temp	Installation
EMB-8W-B	90mins	100-347VAC	170VDC	8W	0°C ~ 50°C 32°F ~ 122°F	Factory or Field Install
EMB-CM08D	90mins	100-347VAC	170VDC	8W	0°C ~ 50°C 32°F ~ 122°F	Factory or Field Install
EMB-18W-B	90mins	100-347VAC	170VDC	18W	0°C ~ 50°C 32°F ~ 122°F	Factory or Field Install
EMB-18W-C-B	90mins	100-347VAC	170VDC	18W	-20C ~ 50C -4°F ~ 122°F	Factory or Field Install



WFA SERIES SLIM FULL CUTOFF WALL PACK

CONTROL-LVFA SPEC

Status LEDs & Config Button

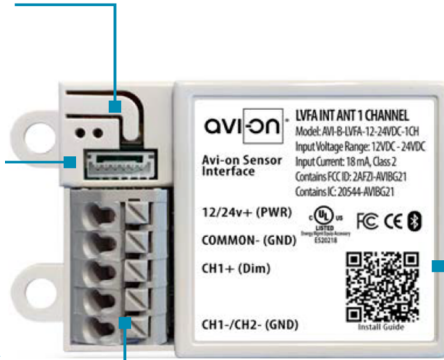
Quick and easy validation of wiring and network

Direct Connect™ Sensor Port

Simple and cost-effective addition to Avi-on sensors

Terminal Blocks & Mounting Tabs

Faster, easier and lower cost installation eliminating connectors



Internal Antenna

Improved performance and eliminates risk of accidentally cutting a hanging wire

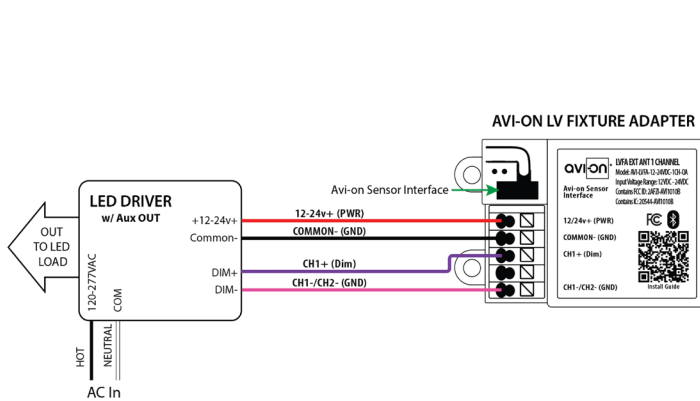
SPECIFICATIONS

INPUT VOLTAGE: 12-24VDC
CURRENT: 15mA without a Sensor
 19mA with a DC PIR Sensor
 48mA with a DC Microwave Sensor
0-10V DIMMING: 12-24VDC
SIZE: 2.30in x 1.43in x 0.75in
 (58.2mm x 36.4mm x 19mm)
MOUNTING: Removable mounting tabs
WEIGHT: 0.45 oz (16g)
OPERATING TEMP: -22°F to +158°F (-30°C to + 70°C)

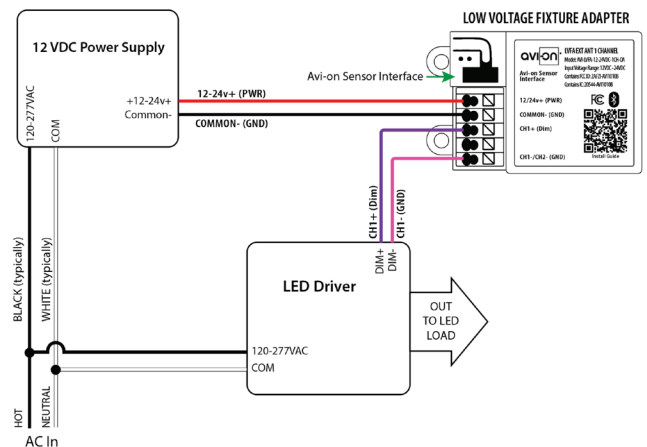
RADIO FREQUENCY: 2.4GHz
WIRELESS STANDARD: BLE 4.2 with Mesh
POINT TO POINT RANGE*: 80ft with obstructions
 350ft unobstructed
SECURITY: AES 128-bit encryption for device to device communication
 AES 256-bit encryption for device to cloud communication
WARRANTY: 5 years; 10 years optional
REGULATORY: FCC: 2AFZI-AVI1010 B
 IC: 20544-AVI1010 B
 BQB: D031801, DID: 86303
 UL 916, 2043 (Plenum Rated)

*When communicating through the mesh, range is essentially unlimited (5000ft+)

WIRING DIAGRAM



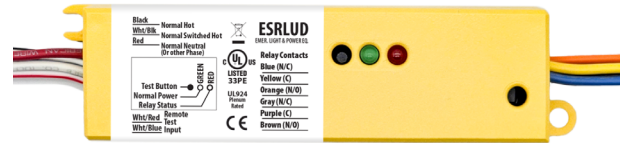
Fixture adapter powered by LED driver auxiliary output



Fixture adapter connected to LED driver and using power supply

CONSTRUCTION

Yellow metal casing. Integrates with dry contact systems to provide lighting during power outages. Features a slim enclosure, allowing for seamlessly integrating into existing building infrastructure. Designed for commercial and industrial applications that require an emergency load to be switched on during a loss of normal power.



SPECIFICATIONS

- COIL CURRENT:** Normal Power = 6mA MAX
- COIL VOLTAGE INPUT:** 120-277V AC (50/60 Hz)
- EXPECTED RELAY LIFE:** 10 Million Cycles Min Mechanical
- RELAY CONTACT RATINGS:** 10 Amp Resistive @ 30 V DC
 10 Amp General Use @ 277 V AC
- OPERATING TEMP:** -30°F ~ +140°F (-34°C ~ +60°C)
- OPERATE TIME:** 18ms
- HUMIDITY RANGE:** 5-95% (Noncondensing)
- LED:** Green = Normal Power
 Red = Relay Status
- DIMENSIONS:** 1.40"H x 5.63"W x 1.00"D
- WIRES:** 16", 600V Rated
- OVERRIDE (TEST SWITCH):** No
- APPROVALS:** UL924, C-UL, CE, ROHS
- NOTES:** Device Draws no Current From Emergency Source

TESTING

- INITIAL TEST FOR CORRECT WIRING:** Apply Normal Power To Normal Power Input
 - a. Green LED (Normal Power) should be ON
 - b. Red LED (Relay Status) should be ON
 - c. Load should be OFF
 - d. Relay Contact (N/O) should be CLOSED
- LOCAL TEST BUTTON:**
 1. Turn Switched Circuit OFF. Load be OFF.
 2. Press and Hold "Local Test Button"
 3. Load should Turn ON
 4. Release "Local Test Button" and Emergency Light should Turn OFF.
- WALL SWITCH:**
 1. Turn ON Wall Switch If not already ON
 2. Load should Turn ON
 3. Turn Wall Switch OFF
 4. Load will Turn OFF

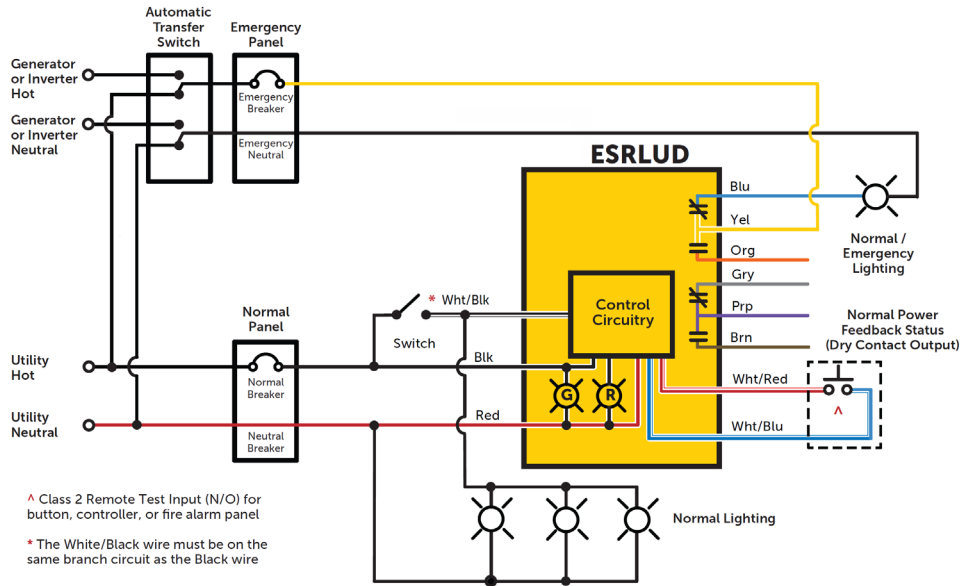
TROUBLESHOOTING

CONDITION	ACTION
Green LED is OFF	<ul style="list-style-type: none"> • Check Normal Power Input Wiring (Black and Red Wires) and Voltage.
Red LED is OFF but Load is OFF	<ul style="list-style-type: none"> • Check Bulbs and Ballast. • Check Load Wiring (Blue Wire and Load's Neutral). • Replace Unit. (Assuming N/C Contact is Used).
Load is ON but Red LED is ON	<ul style="list-style-type: none"> • Replace Unit. (Assuming N/C Contact is Used).
Red LED does not Turn OFF and Load does not Turn ON when being tested	<ul style="list-style-type: none"> • Check Bulbs and Ballast. • Check Wiring Connections if Using a Remote Test Option. • Press Local Test Button on the Unit. • Replace Unit.
Red LED will not Turn ON and Load will not Turn OFF	<ul style="list-style-type: none"> • Verify Status of Normal Power Input. • Open Wall Switch Input. • Verify That No Test Inputs are Stuck Closed.

GTD-ESRLUD Generator Transfer Device

WIRING DIAGRAM

USING EMERGENCY LIGHTING AS NORMAL LIGHTING



OVERRIDING A 0-10V DIMMER

