



FDM SERIES FLOOD LIGHT

Client:
Project:
Type:
Quantity:

CONSTRUCTION

Rugged die-cast aluminum housing with corrosion resistant powder coat paint finish. Internal venting fins create optimal heat dissipation and allow all water to drain from the face of the luminaire.

Simple access to electrical components with removal of four screws from back of fixture housing.

OPTICS

High impact UV stabilized acrylic outer lens protects LEDs and allows for cleaning and debris removal.

Lens hardware is internal to the fixture allowing for uniform pressure on the gasket for an optimal water tight seal.

NEMA distributions: Wide (7x6)

Stock Version: 4000K & 5000K

ELECTRICAL

70+ CRI Lumileds LED.

-40°C up to 45°C (-40°F up to 113°F) maximum operating temperature.

Long-life 100,000hr LED at L70.

Driver operates at 120-277V input, 50/60Hz.

<20% THD, 0.9 power factor.

4kV surge protection, 10kV surge protector optional.

Optional 347V / 480V Driver.

SENSORS (OPTIONAL)

CONTROL-XFAC AVI-ON Bluetooth Zone Controller Adapter

SENSOR-PH-PB-U Integral button style photocell.

MOUNTING

15/27/45/60W models with Knuckle as standard, Yoke as option.

70/100/135/200W with Slipfitter as standard, Yoke as option.

250/350W with Yoke as standard, Slipfitter Convert Bracket as option.

STANDARD FINISH

Corrosion resistant Dark Bronze powder coating finish.

CERTIFICATION

Meets Buy America Act requirements.

IP66 Wet location label standard.

Meets Buy America Act requirements.

All luminaires are built to UL1598 standards and bear appropriate cULus labels.

DLC® Premium (DesignLights Consortium Qualified)

WARRANTY

5 year warranty, see Limited Warranty for additional information.



250 / 350W Yoke



15-60W
Yoke



15 - 60W
Knuckle



70 - 200W
Yoke



70 - 200W
Slipfitter

SHIPPING DATA

Product	Measurement	Weight
FDM-15/27	7"L x 7"W x 3"H	2 lb
FDM-45/60	8"L x 8"W x 4"H	4 lb
FDM-70/100	15"L x 12"W x 5"H	11 lb
FDM-135/200	17"L x 15"W x 5"H	16 lb
FDM-250/350	21"L x 18"W x 6"H	32 lb



FDM SERIES FLOOD LIGHT

ORDER INFORMATION **EXAMPLE: FDM 200 50 77 YM DB UD**

Fixture	Series	Power & LM	CCT	Distribution	Mounting	Finish	Input
	FDM			76		DB	

Accessories
Options

A SERIES

FDM Floodlight

B POWER & LM

Code	Power	LM	Code	Power	LM
15	15W	2000	70	70W	8900
27	27W	3600	100	100W	13300
45	45W	5650	135	135W	18000
60	60W	7450	200	200W	26200
			250	250W	36000
			350	350W	50000

C CCT

40 4000K 50 5000K

D DISTRIBUTION

76 7H x 6V

E MOUNTING

15W~60W		250W~300W	
KN	Knuckle Mount (Standard for 15/27/45/60W)	YM	Yoke Mount (Standard for 250/350W)
YM	Yoke Mount (Option for 15/27/45/60/350W)	MOUNT-SPM-SF	Slipfitter Convert Bracket (Option for 250/350W)*
			*see page 3 for detail
70W~200W			
SF	Slipfitter (Standard for 70/100/135/200W)		
YM	Yoke Mount (Option for 70/100/135/200W)		

F FINISH

DB Dark Bronze

G INPUT

U 120-277V, non-dimmable H 347-480V, non-dimmable

H ACCESSORIES/OPTIONS

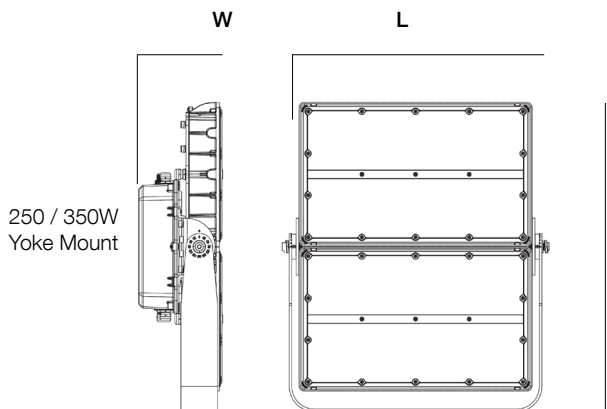
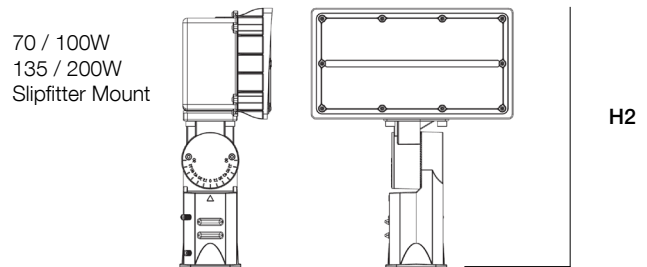
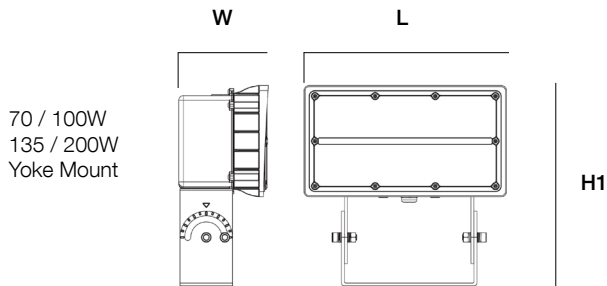
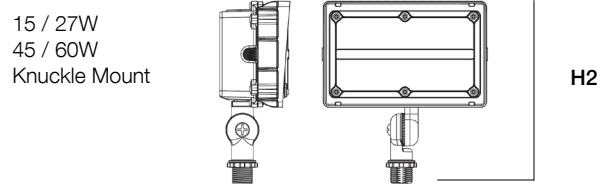
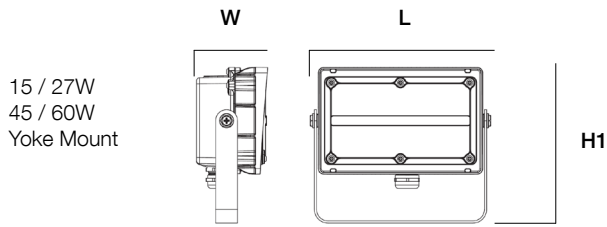
BAA	Assembled in America, compliant with BAA (COTS)
SENSOR-PH-PB-U*	Button Style Photocell
SURGE-LSP4-U / H	10kV inline Surge Protection for Universal input / U: 120-277V, H: 480V input
CONTROL-XFAC*	AVI-ON Bluetooth Zone Controller Adapter

*see page 4 for sensor spec

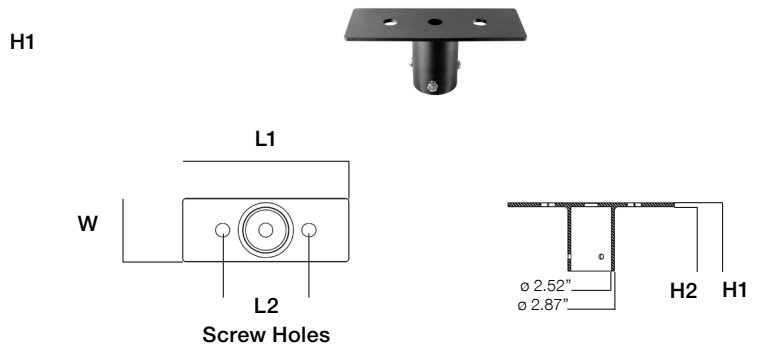
FDM SERIES FLOOD LIGHT

DIMENSIONS

Power	L	W	H1	H2
15 / 27W	5.98" (152mm)	2.55" (65mm)	5.57" (142mm)	6.56" (167mm)
45 / 60W	8.47" (215mm)	3.12" (79mm)	6.56" (167mm)	7.50" (191mm)
70 / 100W	11.06" (281mm)	4.90" (125mm)	10.97" (279mm)	14.20" (361mm)
135 / 200W	14.53" (369mm)	4.37" (111mm)	12.56" (319mm)	16.73" (425mm)
250 / 350W	16.64" (422mm)	5.23" (133mm)	19.27" (490mm)	-



Part#	L1	L2	W	H1	H2
MOUNT-SPM-SF	10.31" (262mm)	5.35" (136mm)	3.94" (100mm)	4.25" (108mm)	4.21" (107mm)



FDM SERIES FLOOD LIGHT

PERFORMANCE DATA

SYSTEM WATTS	VOLTAGE	DIST.TYPE	4000K (70CRI)		5000K (70CRI)	
			LUMENS	LPW	LUMENS	LPW
15W	120-277V	76	1995	133	2000	133
27W	120-277V	76	3591	133	3600	133
45W	120-277V	76	5670	126	5650	126
60W	120-277V	76	7440	124	7450	124
70W	120-277V	76	8890	127	8900	127
100W	120-277V	76	13300	133	13300	133
135W	120-277V	76	17955	133	18000	133
200W	120-277V	76	26200	131	26200	132
250W	120-277V	76	36000	144	36000	144
350W	120-277V	76	50050	143	50000	153

SENSOR SPEC

Model	Type	Mounting	Coverage	Input	Function	Programmable
SENSOR-PH-PB-U	-	-	-	Universal	Dusk-to-Dawn Control	-
CONTROL-XFAC (see page 5 for detail)	Fixture Controller	-	-	100-277VAC	Bluetooth On/Off/Dimming Scheduling	AVI-ON Bluetooth Mobile App



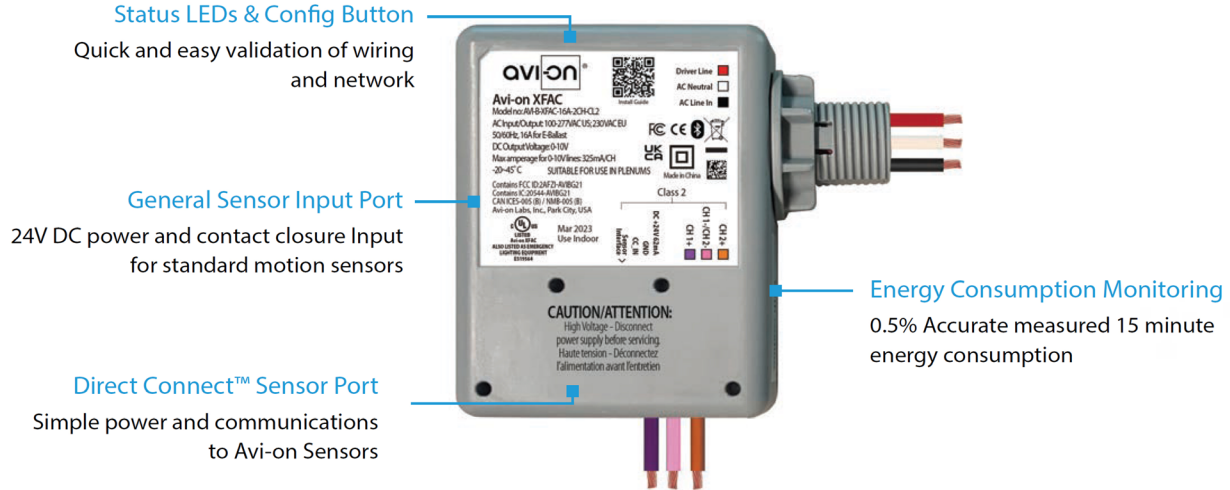
SENSOR-PH-PB-U



CONTROL-XFAC

FDM SERIES FLOOD LIGHT

CONTROL-XFAC SPEC



SPECIFICATIONS

INPUT VOLTAGE:	100-277VAC	RADIO FREQUENCY:	50/60Hz
CURRENT:	MIN: 20 / 14mA MAX: 81 / 46mA	RELAY CURRENT:	16A
0-10V DIMMING:	100-277VAC	PROTECTION/IMMUNITY:	LEVEL 4 Contact Discharge: ± 8kV Air Discharge: ±12kV
SIZE:	3.58" x 3.58" x 1.57" (91mm x 91mm x 40mm)	AMPERAGE FOR 0-10V LINES:	325mA / CH
STORAGE TEMP:	-40°F to + 185°F (-40°C to + 85°C)	WARRANTY:	5 years
OPERATING TEMP:	-4°F to + 113°F (-20°C to + 45°C)	REGULATORY:	FCC: 2AFZI-AVIBG21 IC: 20544-AVBG21 BQB: D059595, DID: 185220 UL 924, 2043

WIRING DIAGRAM

