

**WNA G2 SERIES SEMI-CUTOFF WALL PACK**

Client:  
 Project:  
 Type:  
 Quantity:

**CONSTRUCTION**

Cast aluminum frame holds lens and seals to housing gasket with two stainless steel screws. Door assembly hinges to side, cast aluminum housing with three 1/2" conduit entries (on top and sides), for surface conduit. Suitable for applications requiring 3G testing prescribed by ANSI C136.31.

**OPTICS**

UV stabilized polycarbonate refractor softens LED image and provides uniform distribution and glare control.

**ELECTRICAL**

70+ CRI Lumileds LED.  
 CCT and output selectable between 3000K ~ 5000K configuration settings.  
 -40°C up to 45°C (-40°F up to 113°F) maximum operating temperature.  
 150,000hr LED at L70 @ 25°C, 120,000hr LED at L70 @ 40°C.  
 Driver operates at 120-277V input, 50/60Hz, <20% THD, 0.9 power factor.  
 0-10V dimming driver, button photocontrol standard included.  
 Optional 10kV surge protector.  
 Optional Self-Diagnostic emergency back up.  
 Optional Self-Diagnostic Sub-Zero emergency back up.

**SENSORS (OPTIONAL)**

CONTROL-BLE-SK104-PH ALS Control Bluetooth Fixtrue Controller.  
 CONTROL-LVFA AVI-ON Bluetooth Mesh Controller.

**MOUNTING**

Wall mount over electrical box or via surface conduit.

**STANDARD FINISH**

Corrosion resistant Dark Bronze powder coating finish.

**CUSTOM FINISH**

Black, Graphite Metallic, Gray, Silver, and White, or custom RAL#

**CERTIFICATION**

Wet Location listed.  
 3G testing prescribed by ANSI C136.31.  
 Meets Buy America Act requirements.  
 IDA compliant: with 3000K color temperature selection.  
 All luminaires are built to UL1598 standards and bear appropriate cULus labels.  
 For Emergency application, equipped with UL924 certified battery packs.  
 DLC® Premium (DesignLights Consortium Qualified) listed.

**WARRANTY**

5 year warranty, see Limited Warranty for additional information.



**SHIPPING DATA**

Product	Measurement	Weight
WNA-G2-65	15"L x 8"W x 10"H	7 lb
WNA-G2-100	15"L x 8"W x 10"H	8 lb



**WNA G2 SERIES SEMI-CUTOFF WALL PACK**

ORDER INFORMATION				EXAMPLE: WNA G2 65 SC DB UD P		
Fixture	Series	Power & LM	CCT	Finish	Input	Sensor
	<b>WNA-G2</b>		<b>SC</b>			<b>P</b>
Accessories Options						

**A SERIES**

**WNA-G2** Selectable Semi-Cutoff Wall Pack Gen 2

**B POWER & LM**

Code	Power	LM
<b>65</b>	28W / 41W / 56W / 68W	4047 ~ 8334 lm
<b>100</b>	39W / 62W / 88W / 100W	5759 ~ 12123 lm

**C CCT**

**SC** Selectable 3000K / 4000K / 5000K

**D FINISH**

Standard

**DB** Dark Bronze

Custom Color

<b>CC</b>	<b>BK</b> Black	<b>GM</b> Graphite Metallic	<b>GR</b> Gray
	<b>SV</b> Silver	<b>WH</b> White	<b>RAL#</b>

**E INPUT**

<b>UD-P</b>	120-277V, 0-10V Dimming, with Photocell
<b>HD-P</b>	347-480V, 0-10V Dimming, with Photocell

**G ACCESSORIES/OPTIONS**

<b>BAA</b>	Assembled in America, compliant with BAA (COTS)
<b>BABAA</b>	Build America, Buy America Act (BABAA) Compliant
<b>SURGE-LSP4-U / H</b>	10kV inline Surge Protection for Universal input / <b>U:</b> 120-277V, <b>H:</b> 480V input
<b>CONTROL-BLE-SK104-PH*</b>	Integral Bluetooth Fixture Controller w/Button Photocell (ALS Control Mobile App)
<b>CONTROL-LVFA*</b>	Integral AVI-ON Bluetooth Fixture Controller
<b>EMB-8W-B**</b>	90-Minute Self-Diagnostic Emergency Battery 8W 100-347VAC Input 170VDC Output (only for WNA-G2-65)
<b>EMB-18W-B**</b>	90-Minute Self-Diagnostic Emergency Battery 18W 100-347VAC Input 170VDC Output
<b>EMB-18W-C-B**</b>	90-Minute Self-Diagnostic Emergency Battery 18W 100-347VAC Input 170VDC Output -20°C-50°C (-4°F-122°F)

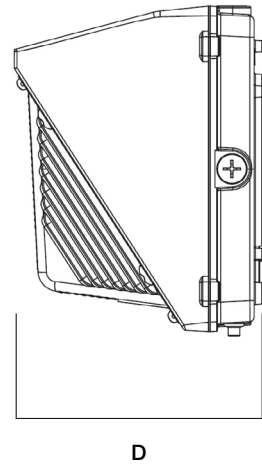
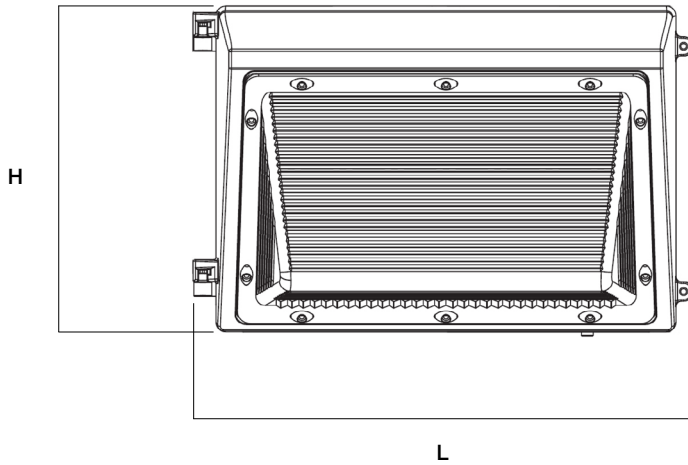
\*see page 5 for sensor spec

\*\*see page 6 for emb spec

**WNA G2 SERIES SEMI-CUTOFF WALL PACK**

**DIMENSIONS**

Model	H	L	D
WNA-G2-65	9.25" (235mm)	14.20" (361mm)	7.08" (180mm)
WNA-G2-100	9.25" (235mm)	14.20" (361mm)	7.08" (180mm)



**WNA G2 SERIES SEMI-CUTOFF WALL PACK**

**PERFORMANCE DATA / DLC CODE**

SYSTEM WATTS	CCT	VOLTAGE	LUMEN	LPW	QTY ON PALLET	PART NUMBER	DLC PRODUCT ID / ORDER CODE	DLC CLASS
WNA-G2-65 28W Selection	4000K	120-277V	4047	155	96	WNA-G2-65MC-DBUD-P	PENDING	DLC 5.1 Premium
WNA-G2-65 41W Selection	4000K	120-277V	5665	146	96	WNA-G2-65MC-DBUD-P	PENDING	DLC 5.1 Premium
WNA-G2-65 56W Selection	4000K	120-277V	7190	137	96	WNA-G2-65MC-DBUD-P	PENDING	DLC 5.1 Premium
WNA-G2-65 68W Selection	4000K	120-277V	8334	131	96	WNA-G2-65MC-DBUD-P	PENDING	DLC 5.1 Premium
WNA-G2-100 39W Selection	4000K	120-277V	5759	157	96	WNA-G2-100MC-DBUD-P	PENDING	DLC 5.1 Premium
WNA-G2-100 62W Selection	4000K	120-277V	8566	146	96	WNA-G2-100MC-DBUD-P	PENDING	DLC 5.1 Premium
WNA-G2-100 88W Selection	4000K	120-277V	11094	134	96	WNA-G2-100MC-DBUD-P	PENDING	DLC 5.1 Premium
WNA-G2-100 100W Selection	4000K	120-277V	12123	129	96	WNA-G2-100MC-DBUD-P	PENDING	DLC 5.1 Premium

**WNA G2 SERIES SEMI-CUTOFF WALL PACK**

**SENSOR SPEC**

Model	Type	Mounting	Coverage	Input	Function	Programmable
CONTROL-BLE-SK104-PH (see page 8 for detail)	Fixture Controller	-	-	12V DC	Bluetooth Mesh On/Off/Dimming Scheduling CCT Tuning	ALS Control Bluetooth Mobile App
CONTROL-LVFA (see page 7 for detail)	Fixture Controller	-	-	12V DC	Bluetooth Mesh On/Off/Dimming Scheduling	AVI-ON Bluetooth Mobile App

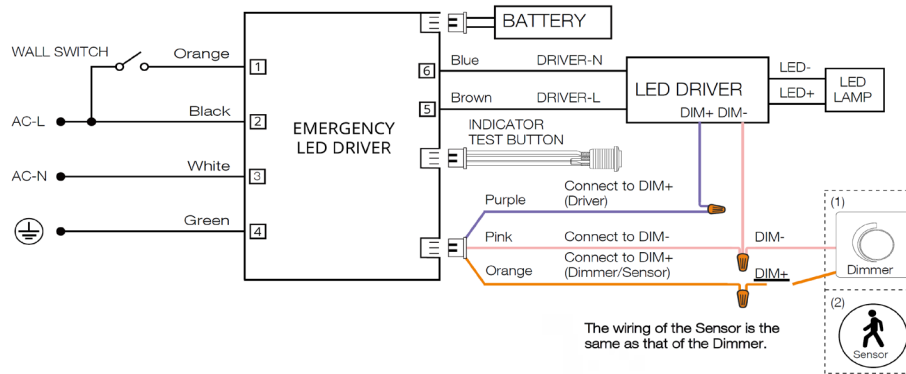


CONTROL-BLE -SK104-PH      CONTROL-AVI-LVFA

**WNA G2 SERIES SEMI-CUTOFF WALL PACK**

**EMB SPEC**

Model	Battery Capacity	Input	Output	Output Power	Operating Temp	Installation
EMB-8W-B	90mins	100-347VAC	170VDC	8W	0°C ~ 50°C 32°F ~ 122°F	Factory or Field Install
EMB-18W-B	90mins	100-347VAC	170VDC	18W	0°C ~ 50°C 32°F ~ 122°F	Factory or Field Install
EMB-18W-C-B	90mins	100-347VAC	170VDC	18W	-20°C ~ 50°C -4°F ~ 122°F	Factory or Field Install



**WNA G2 SERIES SEMI-CUTOFF WALL PACK**

**CONTROL-LVFA SPEC**

**Status LEDs & Config Button**

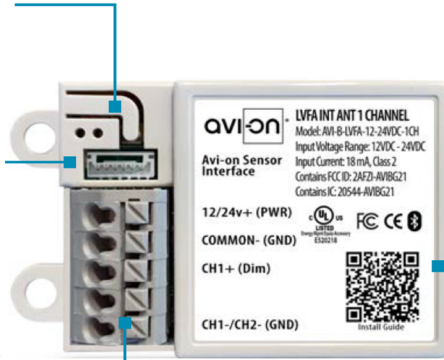
Quick and easy validation of wiring and network

**Direct Connect™ Sensor Port**

Simple and cost-effective addition to Avi-on sensors

**Terminal Blocks & Mounting Tabs**

Faster, easier and lower cost installation eliminating connectors



**Internal Antenna**

Improved performance and eliminates risk of accidentally cutting a hanging wire

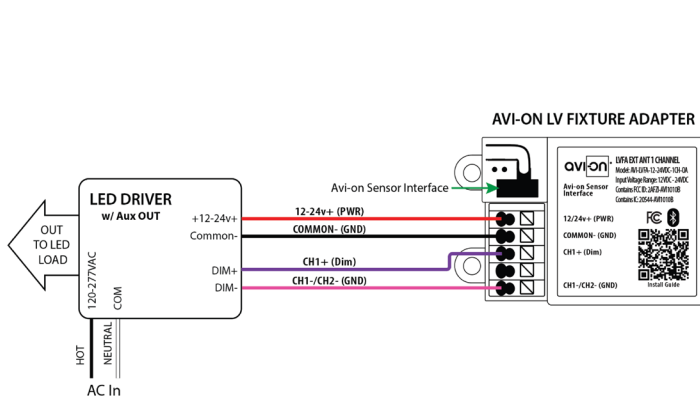
**SPECIFICATIONS**

**INPUT VOLTAGE:** 12-24VDC  
**CURRENT:** 15mA without a Sensor  
 19mA with a DC PIR Sensor  
 48mA with a DC Microwave Sensor  
**0-10V DIMMING:** 12-24VDC  
**SIZE:** 2.30in x 1.43in x 0.75in  
 (58.2mm x 36.4mm x 19mm)  
**MOUNTING:** Removable mounting tabs  
**WEIGHT:** 0.45 oz (16g)  
**OPERATING TEMP:** -22°F to +158°F (-30°C to + 70°C)

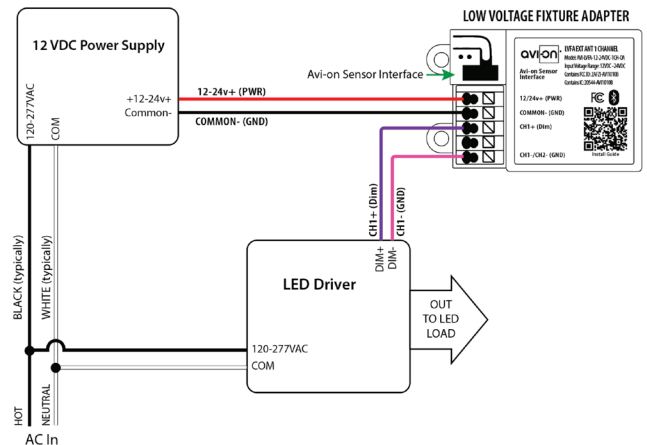
**RADIO FREQUENCY:** 2.4GHz  
**WIRELESS STANDARD:** BLE 4.2 with Mesh  
**POINT TO POINT RANGE\*:** 80ft with obstructions  
 350ft unobstructed  
**SECURITY:** AES 128-bit encryption for device to device communication  
 AES 256-bit encryption for device to cloud communication  
**WARRANTY:** 5 years; 10 years optional  
**REGULATORY:** FCC: 2AFZI-AVI1010 B  
 IC: 20544-AVI1010 B  
 BQB: D031801, DID: 86303  
 UL 916, 2043 (Plenum Rated)

\*When communicating through the mesh, range is essentially unlimited (5000ft+)

**WIRING DIAGRAM**



Fixture adapter powered by LED driver auxiliary output



Fixture adapter connected to LED driver and using power supply

**FEATURE**

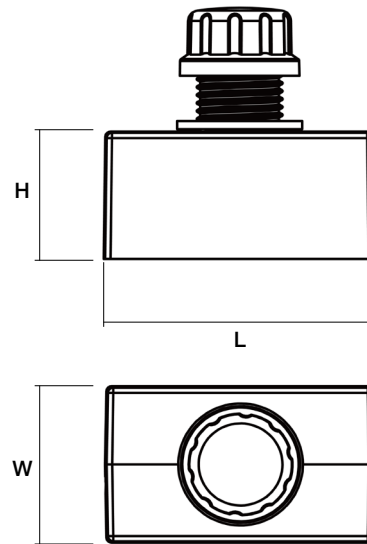
- **Installation:** Factory / Jobsite install through 1/2" knockout hole, 12V AUX power required
- **Commissioning:** Wirelessly through ALS Control Mobile App (iOS / Android)
- **Certification:** DLC 5.1 Networked Lighting Control System
- **Control:** High-End Trim, Zoning, Continuous Bi-level Dimming
- **CCT Tuning:** CCT Tuning feature for Dual/Multi-CCT LED board fixture only
- **Sensor:** Photocell
- **Zone Control:** Zoning and Grouping control, Scheduling



**SPECIFICATIONS**

<b>SENSOR TYPE:</b>	Photocell
<b>WIRELESS STANDARDS:</b>	5.0 Bluetooth Mesh
<b>INPUT VOLTAGE:</b>	12-14VDC, >50mA
<b>CONTROL OUTPUT:</b>	0-10V
<b>OPERATING TEMP:</b>	-40°F ~ +158°F (-40°C ~ +70°C)
<b>COMMISSIONING RANGE:</b>	50FT
<b>BLUETOOTH RANGE:</b>	100FT
<b>DETECTION ANGLE:</b>	360°
<b>WARRANTY:</b>	5 years
<b>IP RATING:</b>	IP65

**DIMENSIONS**



L	H	W
1.14" (29mm)	0.94" (24mm)	1.97" (50mm)

**WIRING DIAGRAM**

