



VTA SERIES VAPOR TIGHT LINEAR

Client:
Project:
Type:
Quantity:

CONSTRUCTION

ABS material housing, compact design with semi-gloss White finish. 3/4" knockout back and end of housing for end mount sensor, through wiring or surface conduit mount.

OPTICS

End-to-end diffused polycarbonate (PC) lens.

ELECTRICAL

Delivered average 135lm/W efficacy LEDs offer 80+ color rendering index (CRI).
Field Selectable Output and CCT (see ordering information for detail).
L70 >100,000 hours expected life.
-40°C up to 45°C (-40°F up to 113°F) maximum operating temperature.
Driver operates at 120-277V input, 0-10V dimmable driver, down to 10%.

MOUNTING

Designed for direct wire or as a portable luminaire with use of power cord.*
Standard surface mountable underneath electrical box, or surface conduit mount through 3/4" knockout.
*Power cord - optional add-on.

SENSORS (OPTIONAL)

SENSOR-819W-O1 End mount on/off motion sensor highbay lens (Wet).
SENSOR-819W-D1 End mount programmable motion and photocell sensor highbay lens (Wet).
SENSOR-BLE-819W End mount ALS CONTROL bluetooth on/off motion sensor lowbay lens (Wet).
CONTROL-LVFA AVI-ON Bluetooth Mesh Controller.
SENSOR-PH-PB-U Integral Button Style Photocell.



SHIPPING DATA

| Product | Measurement | Weight |
|---------|------------------|--------|
| VTA-30 | 27"L x 6"W x 4"H | 4 lb |
| VTA-45 | 52"L x 6"W x 4"H | 6 lb |
| VTA-90 | 96"L x 6"W x 4"H | 12 lb |

STANDARD FINISH

Semi-gloss White finish standard, IP66 for wet location.

CERTIFICATION

IP66 Wet location label standard.
Meets Buy America Act requirements.
IK10 Impact Rated.
All luminaires are built to UL1598 standards and bear appropriate cULus labels.
For Emergency application, equipment with UL924 certified battery packs.
DLC® Premium (DesignLights Consortium Qualified).

WARRANTY

5 year warranty, see Limited Warranty for additional information.



VTA SERIES VAPOR TIGHT LINEAR

ORDER INFORMATION **EXAMPLE: VTA 45 SC WH UD**

| | | | | | |
|---------|------------|------------|-----|-----------|-----------|
| Fixture | Series | Power & LM | CCT | Finish | Input |
| | VTA | | | WH | UD |

Accessories
Options

A SERIES

VTA Vapor Tight Linear Field Selectable Output & CCT

B POWER & LM

| Code | Size | Power | LM |
|------|--------|----------------------------|--------------|
| 30 | 2-Foot | Field Selectable 20/25/30W | 2872 ~ 4021 |
| 45 | 4-Foot | Field Selectable 34/38/45W | 4941 ~ 6494 |
| 90 | 8-Foot | Field Selectable 65/75/90W | 9295 ~ 12364 |

C CCT

SC Field Selectable 3500K / 4000K / 5000K

D FINISH

WH White

E INPUT

UD 110-277V, 0-10V Dimmable

F ACCESSORIES/OPTIONS

| | |
|----------------------------|---|
| BAA | Assembled in America, Compliant with BAA (COTS) |
| MOUNT-VT-HOOK | V Hook Mount - Chain Provided by Others |
| EMB-8W-B** | 90-Minute Self-Diagnostic Emergency Battery 8W 100-347VAC Input 170VDC Output |
| EMB-18W-B** | 90-Minute Self-Diagnostic Emergency Battery 18W 100-347VAC Input 170VDC Output |
| EMB-18W-C-B** | 90-Minute Self-Diagnostic Emergency Battery 18W 100-347VAC Input 170VDC Output -20°C-50°C (-4°F-122°F) |
| REMOTE-RC100 | Handheld Remote Commissioning Tool for SENSOR-819-D1/D2 Only |
| SENSOR-819W-O1* | End mount on/off motion sensor lowbay lens (Wet) |
| SENSOR-819W-D1* | End mount on/off/dimming and photocell sensor lowbay lens (Wet) |
| SENSOR-BLE-819W-L1* | End Mount PIR Bluetooth Daylight Harvesting Sensor (ALS Control Mobile App) / L1: up to 20FT (Wet) |
| SENSOR-PH-PB-U* | Button Style Photocell |
| CONTROL-LVFA* | AVI-ON Bluetooth Mesh Control System |
| SURGE-LSP4-U | 10kV Surge Protector |
| -PLUG | 6-Foot Black Cord and Plug (3-Prong) |
| -CORD | 18-3 300V 6 Foot Cord |
| TWIST-LOCK | Specify Plug Type: L515P / L715P / HBL5929 / L8-20P |

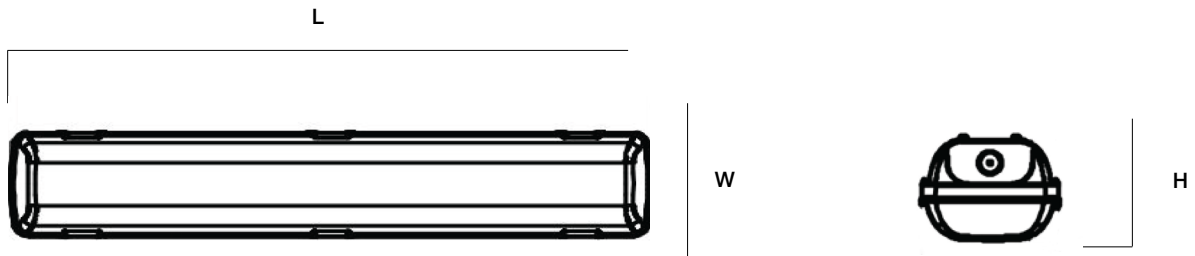
*see page 4 for sensor spec

**see page 5 for emb spec

VTA SERIES VAPOR TIGHT LINEAR

DIMENSIONS

| Model | L | W | H |
|--------|-----------------|---------------|--------------|
| VTA-30 | 24.80" (630mm) | 5.00" (127mm) | 3.50" (89mm) |
| VTA-45 | 45.80" (1240mm) | 5.00" (127mm) | 3.50" (89mm) |
| VTA-90 | 96.80" (2459mm) | 5.00" (127mm) | 3.50" (89mm) |



VTA SERIES VAPOR TIGHT LINEAR

PERFORMANCE DATA

| SYSTEM WATTS | CCT | VOLTAGE | LUMEN | LPW | QTY ON PALLET | DLC PRODUCT ID / ORDER CODE | DLC CLASS |
|--------------|-------|----------|--------|-----|---------------|--|-----------------|
| 45W | 4000K | 120-277V | 5,400 | 120 | 72 | MVT0345W27V40K[W,D,B][Blank,M][Blank,B]PG[Blank,0-9,A-Z,a-z] Product ID: PW9MDIW | DLC 5.1 Premium |
| | 5000K | 120-277V | 5,445 | 121 | 72 | MVT0345W27V50K[W,D,B][Blank,M][Blank,B]PG[Blank,0-9,A-Z,a-z] Product ID: PP0TCD92 | DLC 5.1 Premium |
| 90W | 4000K | 120-277V | 10,800 | 120 | 72 | MVT0395W27V40K[W,D,B][Blank,M][Blank,B]PG[Blank,0-9,A-Z,a-z] Product ID: P14S0IUY | DLC 5.1 Premium |
| | 5000K | 120-277V | 10,980 | 122 | 72 | MVT0395W27V50K[W,D,B][Blank,M][Blank,B]PG[Blank,0-9,A-Z,a-z] Product ID: PQJKP0D2 | DLC 5.1 Premium |

SENSOR SPEC

| Model | Type | Mounting | Coverage | Input | Function | Programmable |
|--|--------------------|-----------|-------------|-----------|---|--|
| SENSOR-819W-O1 | PIR | 20FT | 30FT radius | Universal | On/Off | - |
| SENSOR-819W-D1 | PIR | 20FT | 30FT radius | Universal | On/Off/Dimming | REMOTE-RC100 |
| SENSOR-BLE-819W (see page 7 for detail) | PIR | L1 - 20FT | 30FT radius | Universal | Bluetooth Mesh On/Off/Dimming Daylight Harvesting | ALS Control Bluetooth Mobile App |
| CONTROL-LVFA (see page 6 for detail) | Fixture Controller | - | - | 12V DC | Bluetooth Mesh On/Off/Dimming Scheduling | AVI-ON Bluetooth Mobile App |
| SENSOR-PH-PB-U | - | - | - | Universal | Dusk-to-Dawn Control | - |



SENSOR-819W-XX
 SENSOR-BLE-819W



CONTROL-LVFA

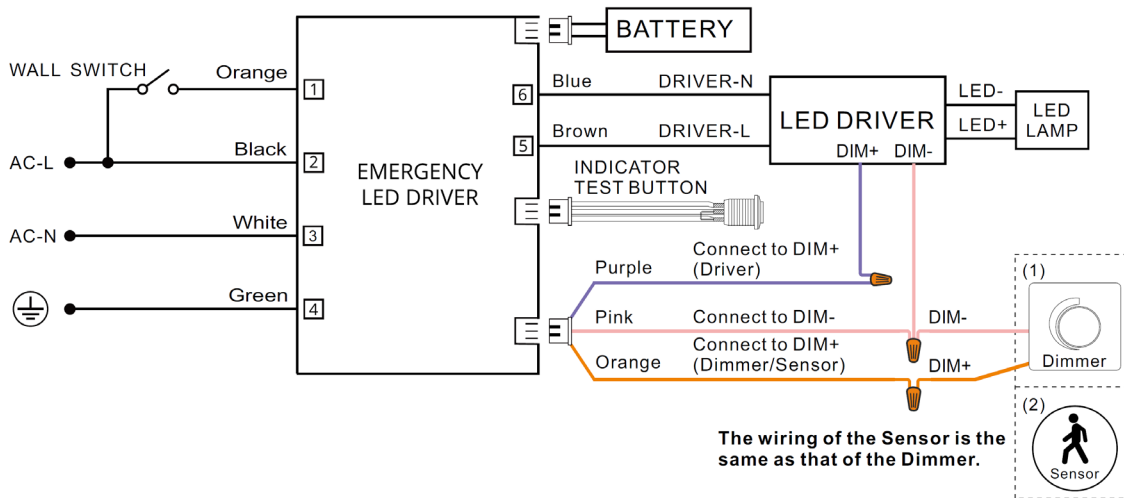


SENSOR-PH-PB-U

VTA SERIES VAPOR TIGHT LINEAR

EMB SPEC

| Model | Battery Capacity | Input | Output | Output Power | Operating Temp | Installation |
|-------------|------------------|------------|--------|--------------|------------------------------|--------------------------------|
| EMB-8W-B | 90mins | 100-347VAC | 170VDC | 8W | 0°C ~ 50°C 32°F ~ 122°F | Factory or Field Install |
| EMB-18W-B | 90mins | 100-347VAC | 170VDC | 18w | 0°C ~ 50°C 32°F ~ 122°F | Factory or Field Install |
| EMB-18W-C-B | 90mins | 100-347VAC | 170VDC | 18w | -20°C ~ 50°C -4°F ~ 122°F | Factory or Field Install |



VTA SERIES VAPOR TIGHT LINEAR

CONTROL-LVFA SPEC

Status LEDs & Config Button

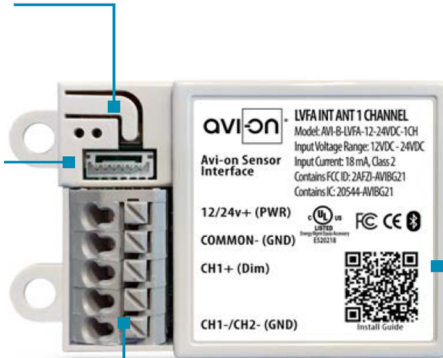
Quick and easy validation of wiring and network

Direct Connect™ Sensor Port

Simple and cost-effective addition to Avi-on sensors

Terminal Blocks & Mounting Tabs

Faster, easier and lower cost installation eliminating connectors



Internal Antenna

Improved performance and eliminates risk of accidentally cutting a hanging wire

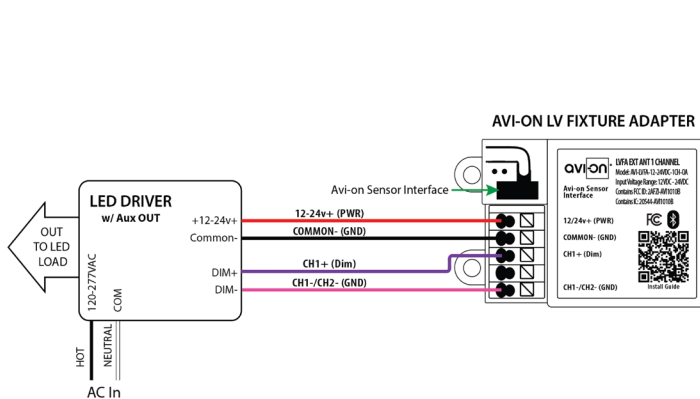
SPECIFICATIONS

INPUT VOLTAGE: 12-24VDC
CURRENT: 15mA without a Sensor
 19mA with a DC PIR Sensor
 48mA with a DC Microwave Sensor
0-10V DIMMING: 12-24VDC
SIZE: 2.30in x 1.43in x 0.75in
 (58.2mm x 36.4mm x 19mm)
MOUNTING: Removable mounting tabs
WEIGHT: 0.45 oz (16g)
OPERATING TEMP: -22°F to +158°F (-30°C to + 70°C)

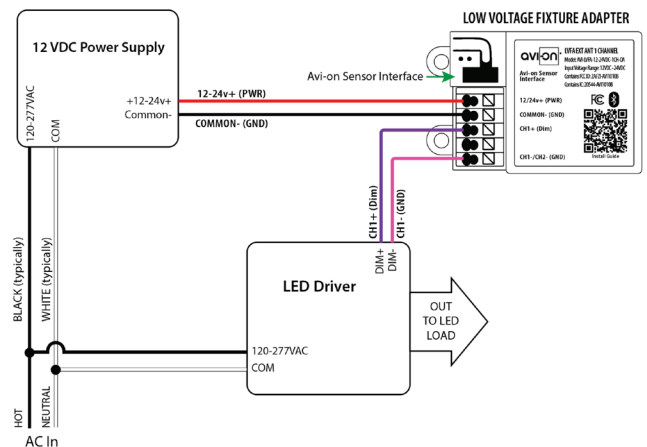
RADIO FREQUENCY: 2.4GHz
WIRELESS STANDARD: BLE 4.2 with Mesh
POINT TO POINT RANGE*: 80ft with obstructions
 350ft unobstructed
SECURITY: AES 128-bit encryption for device to device communication
 AES 256-bit encryption for device to cloud communication
WARRANTY: 5 years; 10 years optional
REGULATORY: FCC: 2AFZI-AVI1010 B
 IC: 20544-AVI1010 B
 BQB: D031801, DID: 86303
 UL 916, 2043 (Plenum Rated)

*When communicating through the mesh, range is essentially unlimited (5000ft+)

WIRING DIAGRAM



Fixture adapter powered by LED driver auxiliary output



Fixture adapter connected to LED driver and using power supply

FEATURE

- **Installation:** Factory or Field Install End Mount to Fixture
- **Commissioning:** Wirelessly through ALS Control Mobile App (iOS / Android)
- **Certification:** DLC 5.1 Networked Lighting Control System
- **Control:** Hold time, High-Low setting, continuous Bi-level dimming, Code-compliant manual-on or auto-off capability
- **Sensor:** Motion (Occupancy/Vacancy/Manual) and Daylight Harvesting
- **Room and Zone Control:** Zoning and Grouping control, Scheduling

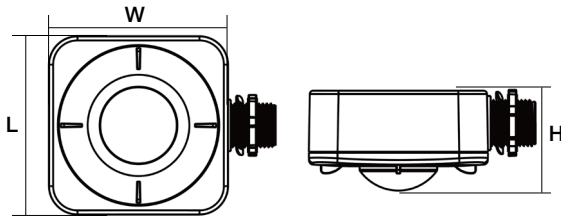


SPECIFICATIONS

SENSOR TYPE: Passive Infrared Sensor (PIR)
WIRELESS STANDARDS: Bluetooth SIG Mesh
INPUT VOLTAGE: 120/277VAC
CONTROL OUTPUT: 0-10V
OPERATING TEMP: -40°F ~ +167°F (-40°C ~ +75°C)

COMMISSIONING RANGE: 50FT
BLUETOOTH RANGE: Intergral antenna up to 100FT
DETECTION ANGLE: Vertical 90° x Horizontal 360°
MOUNTING HEIGHT: 8 - 40FT
WARRANTY: 5 years
IP RATING: IP65 Wet

DIMENSIONS



| L | W | H |
|-----------------|------------------|-------------------|
| 3.19" (81mm) | 4.02" (102mm) | 1.70" (43.3mm) |

COVERAGE PATTERNS

