



LHCA-G2 SERIES SELECTABLE LINEAR BAY LIGHT

Client:
Project:
Type:
Quantity:

CONSTRUCTION

Compact die-cast aluminum housing, sturdy structure design, entire body serves as heat sink for the light engine. Includes top and side knockouts for simple and accessible wiring.

OPTICS

>95% efficiency polycarbonate shatter proof frosted lens.

ELECTRICAL

80+ CRI LED.

-40°C up to 55°C (-40°F up to 131°F) maximum operating temperature.

100,000 hr LEDs at L70 @ 25°C. 50/60Hz, <20% THD, >.95 Power Factor.

Driver operates at 120-277V input, 0-10V dimmable driver, down to 10%.

Plug-N-Play sensor socket standard (12V AUX).

Optional 347/480V input.

SENSORS (OPTIONAL)

SENSOR-BLE-6-4T Integral PIR ALS Control bluetooth/on/off/dimming/photosensing.

SENSOR-ANT-6-4T Plug-N-Play PIR on/off/dimming/photosensing.

CONTROL-LVFA AVI-ON Bluetooth Mesh Controller.

SENSOR-DC-PIR AVI-ON PIR and Daylighting Sensor

MOUNTING

Adjustable aircraft cable hanger as standard mounting included.

Optional: Pendant Mount Hub

Optional: Surface Mount Bracket (Pair)

STANDARD FINISH

All metal parts are post painted after fabrication with polyester powder coat paint with 90% reflectance.

CERTIFICATION

Meets Buy America Act requirements.

All luminaires are built to UL1598 standards for damp location and bear appropriate cULus labels.

For Emergency application, equipment with UL924 certified battery packs.

DLC® Premium (DesignLights Consortium Qualified)

WARRANTY

5 year warranty, see Limited Warranty for additional information.



Pendant Mount

Surface Mount



LHCA-G2 SERIES SELECTABLE LINEAR BAY LIGHT

| ORDER INFORMATION | | | | | EXAMPLE: LHCA-G2 130 MC CK WH UD | | |
|-------------------|----------------|------------|-----|--------------|----------------------------------|-----------|-------|
| Fixture | Series | Power & LM | CCT | Distribution | Mounting | Finish | Input |
| | LHCA-G2 | | | | CK | WH | |

| A | SERIES | |
|----------|---------|--|
| | LHCA-G2 | Compact Linear Bay Light Dual Selectable |

| B | POWER & LM | | | |
|----------|------------|------------------------|-----------------------------------|-----------|
| | Code | Power Selectable | LM | LPW |
| | 130 | 52 / 78 / 104 / 130W | 8,200 / 12,100 / 15,200 / 18,500 | 142 ~ 158 |
| | 160 | 64 / 96 / 128 / 160W | 10,600 / 15,500 / 20,000 / 24,100 | 151 ~ 166 |
| | 205 | 82 / 123 / 164 / 205W | 14,000 / 19,500 / 25,000 / 30,500 | 149 ~ 171 |
| | 250 | 100 / 150 / 200 / 250W | 16,400 / 24,000 / 30,200 / 36,100 | 144 ~ 164 |
| | 300 | 120 / 180 / 240 / 300W | 20,000 / 28,000 / 36,000 / 42,000 | 140 ~ 167 |
| | 410 | 164 / 246 / 328 / 410W | 28,000 / 38,400 / 50,000 / 60,600 | 148 ~ 171 |

| C | CCT | |
|----------|-----|--------------------------------|
| | MC | 4000K / 5000K Field Selectable |

| D | DISTRIBUTION | |
|----------|--------------|---|
| | blank | Polycarbonate Shatter-Proof Frosted Diffuser Lens |

| E | MOUNTING | |
|----------|----------|--|
| | CK | Adjustable aircraft cable hanging kit (standard) |
| | PMK | Pendant Mount Hub for 3/4" Pipe Mount |
| | SMK | Surface Mount Bracket (Pair) |

| F | FINISH | |
|----------|--------|-------|
| | WH | White |

| G | INPUT | |
|----------|-------|---------------------------|
| | UD | 120-277V, 0-10V Dimmable |
| | HD | 347V/480V, 0-10V Dimmable |

LHCA-G2 SERIES SELECTABLE LINEAR BAY LIGHT

ORDER INFORMATION (CONTINUED)

Accessories
 Options

H ACCESSORIES/OPTIONS

| | |
|------------------------------|--|
| BAA | Assembled in America, compliant with BAA (COTS) |
| WIREGUARD-LHCA-G2-130 | Wireguard for LHCA-G2-130W |
| WIREGUARD-LHCA-G2-205 | Wireguard for LHCA-G2-160W / 205W |
| WIREGUARD-LHCA-G2-300 | Wireguard for LHCA-G2-250W / 300W |
| WIREGUARD-LHCA-G2-410 | Wireguard for LHCA-G2-410W |
| EMB-8W-MST | 8W External Emergency Battery (LHCA-G2-130 only) |
| EMB-16W-MST | 16W External Emergency Battery (LHCA-G2-130/-160/-205 only) |
| EMB-25W-MST | 25W External Emergency Battery |
| SENSOR-ANT-6-4T* | Plug-N-Play PIR on/off/dimming/photosensing up to 40FT MH |
| SENSOR-ANT-6-4T-EM* | Plug-N-Play PIR on/off/dimming/photosensing for EMB application up to 40FT MH |
| SENSOR-ANT-6-4T-H* | Plug-N-Play PIR on/off/dimming/photosensing up to 50FT MH |
| SENSOR-ANT-6-4T-H-EM* | Plug-N-Play PIR on/off/dimming/photosensing for EMB application up to 50FT MH |
| SENSOR-BLE-6-4T* | Plug-N-Play Bluetooth on/off/dimming/Daylight Harvesting Sensor (ALS Control Mobile App) |
| SENSOR-BLE-6-4T-EM* | Plug-N-Play Bluetooth on/off/dimming/Daylight Harvesting Sensor (ALS Control Mobile App) for EMB application |
| SENSOR-BLE-6-4T-H* | Plug-N-Play Bluetooth on/off/dimming/Daylight Harvesting Sensor (ALS Control Mobile App) up to 50FT MH |
| SENSOR-BLE-6-4T-H-EM* | Plug-N-Play Bluetooth on/off/dimming/Daylight Harvesting Sensor (ALS Control Mobile App) for EMB application up to 50FT MH |
| CONTROL-LVFA* | AVI-ON Bluetooth Mesh Control System |
| REMOTE-RC100 | Handheld Remote Commissioning Tool for SENSOR-ANT Series |
| -CORD | 18-3 300V 6 Foot Cord |
| -PLUG | 18-3 300V 6 Foot Cord and 3 Prong Plug |
| TWIST-LOCK | Specify Plug Type: L515P / L715P / HBL5929 / L8-20P |

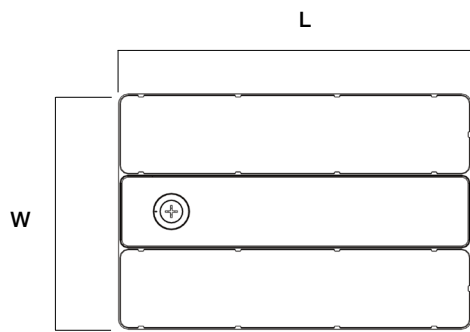
*see page 6 for sensor spec

**see page 7 for emb spec

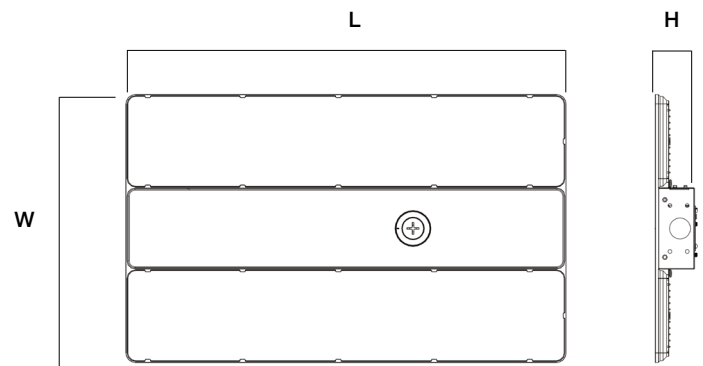
LHCA-G2 SERIES SELECTABLE LINEAR BAY LIGHT

DIMENSIONS

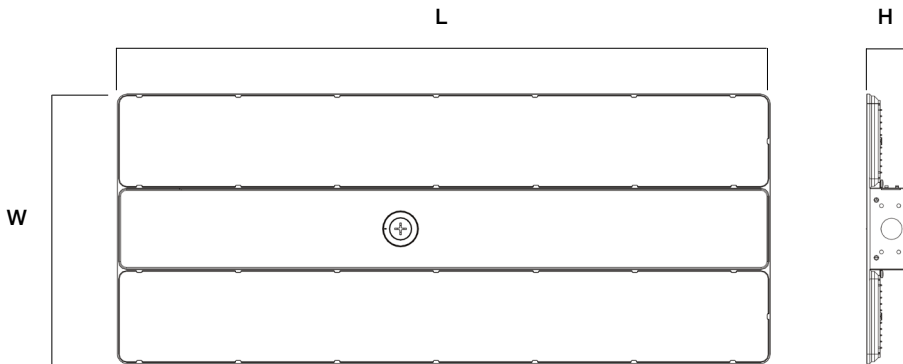
| Model | L | W | H |
|-------------------|----------------|----------------|--------------|
| LHCA-G2-130 | 14.17" (360mm) | 9.45" (240mm) | 1.65" (42mm) |
| LHCA-G2-160 / 205 | 18.11" (460mm) | 11.02" (280mm) | 1.65" (42mm) |
| LHCA-G2-250 / 300 | 26.77" (680mm) | 11.02" (280mm) | 1.65" (42mm) |
| LHCA-G2-410 | 36.22" (920mm) | 11.02" (280mm) | 1.65" (42mm) |



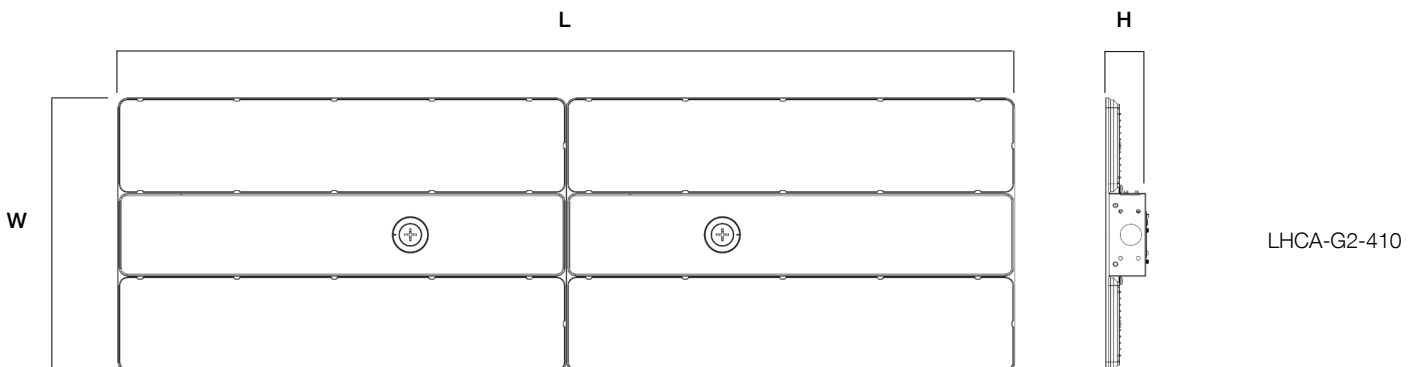
LHCA-G2-130



LHCA-G2-160
 LHCA-G2-205



LHCA-G2-250
 LHCA-G2-300



LHCA-G2-410

LHCA-G2 SERIES SELECTABLE LINEAR BAY LIGHT

PERFORMANCE DATA

| SYSTEM WATTS | VOLTAGE | 4000K / 5000K | |
|---------------------|----------|---------------|-----|
| | | LUMENS | LPW |
| LHCA-G2-130W @ 52W | 120-277V | 8200 | 158 |
| LHCA-G2-130W @ 78W | 120-277V | 12100 | 155 |
| LHCA-G2-130W @ 104W | 120-277V | 15200 | 146 |
| LHCA-G2-130W @ 130W | 120-277V | 18500 | 142 |
| | | | |
| LHCA-G2-160W @ 64W | 120-277V | 10600 | 166 |
| LHCA-G2-160W @ 96W | 120-277V | 15500 | 161 |
| LHCA-G2-160W @ 128W | 120-277V | 20000 | 156 |
| LHCA-G2-160W @ 160W | 120-277V | 24100 | 151 |
| | | | |
| LHCA-G2-205W @ 82W | 120-277V | 14000 | 171 |
| LHCA-G2-205W @ 123W | 120-277V | 19500 | 159 |
| LHCA-G2-205W @ 164W | 120-277V | 25000 | 152 |
| LHCA-G2-205W @ 205W | 120-277V | 30500 | 149 |
| | | | |
| LHCA-G2-300W @ 120W | 120-277V | 20000 | 167 |
| LHCA-G2-300W @ 180W | 120-277V | 28000 | 156 |
| LHCA-G2-300W @ 240W | 120-277V | 36000 | 150 |
| LHCA-G2-300W @ 300W | 120-277V | 42000 | 140 |
| | | | |
| LHCA-G2-410W @ 164W | 120-277V | 28000 | 171 |
| LHCA-G2-410W @ 246W | 120-277V | 38400 | 156 |
| LHCA-G2-410W @ 328W | 120-277V | 50000 | 152 |
| LHCA-G2-410W @ 410W | 120-277V | 60600 | 148 |

LHCA-G2 SERIES SELECTABLE LINEAR BAY LIGHT

SENSOR SPEC

| Model | Type | Mounting | Coverage | Input | Function | Programmable |
|---|-----------------------|------------|-------------|--------|---|--|
| SENSOR-ANT-6-4T (see page 8 for detail) | PIR | up to 40FT | 30FT radius | 12V DC | On/Off/Dimming | REMOTE-RC100 |
| SENSOR-ANT-6-4T-H (see page 8 for detail) | PIR | up to 50FT | 30FT radius | 12V DC | On/Off/Dimming | REMOTE-RC100 |
| SENSOR-BLE-6-4T (see page 10 for detail) | PIR | up to 40FT | 30FT radius | 12V DC | Bluetooth Mesh On/Off/Dimming Daylight Harvesting | ALS Control Bluetooth Mobile App |
| SENSOR-BLE-6-4T-H (see page 10 for detail) | PIR | up to 50FT | 30FT radius | 12V DC | Bluetooth Mesh On/Off/Dimming Daylight Harvesting | ALS Control Bluetooth Mobile App |
| CONTROL-LVFA (see page 11 for detail) | Fixture Controller | - | - | 12V DC | Bluetooth Mesh On/Off/Dimming Scheduling | AVI-ON Bluetooth Mobile App |



SENSOR-ANT-6-4T
 SENSOR-BLE-6-4T

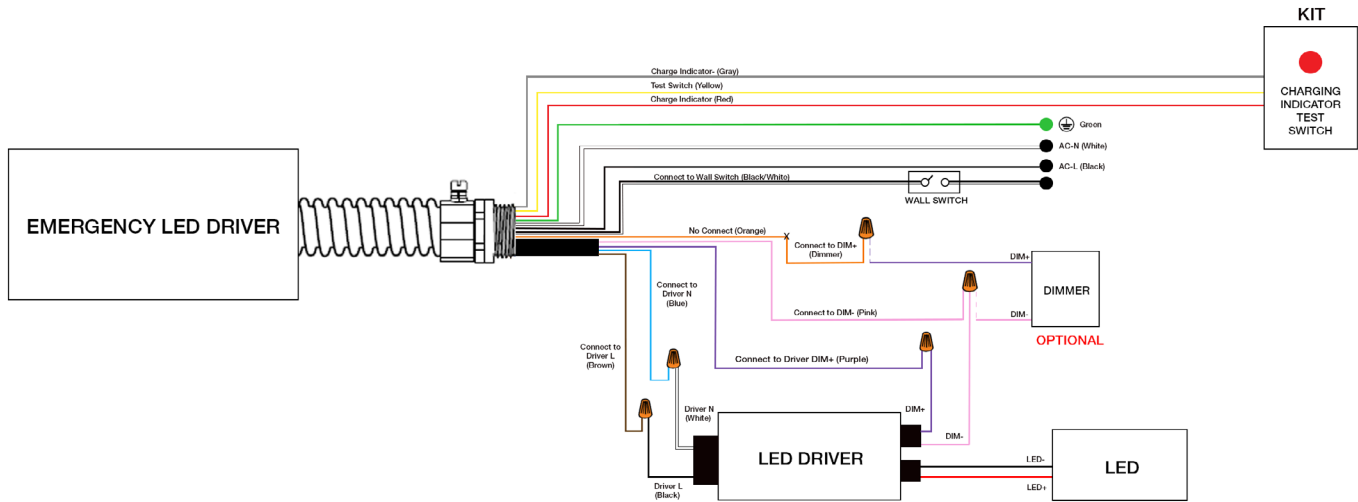


CONTROL-LVFA

LHCA-G2 SERIES SELECTABLE LINEAR BAY LIGHT

EMB SPEC

| Model | Battery Capacity | Input | Output | Output Power | Operating Temp | Installation |
|------------|------------------|------------|------------|--------------|----------------------------|--------------------------------|
| EMB-H18170 | 90mins | 100-347VAC | 170VDC | 18W | 0°C ~ 50°C 32°F ~ 122°F | Factory or Field Install |
| EMB-H40170 | 90mins | 100-347VAC | 170VDC | 40W | 0°C ~ 50°C 32°F ~ 122°F | Factory or Field Install |
| EMB-H40500 | 90mins | 277-480VAC | 300-500VDC | 40W | 0°C ~ 50°C 32°F ~ 122°F | Factory or Field Install |



Client:
Project:
Type:
Quantity:

FEATURE

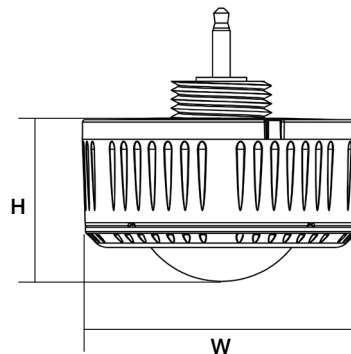
- **Installation:** Plug-N-Play via AUX Socket on Attached Fixture
- **Commissioning:** through Remote Control
- **Control:** Hold time, High-Low setting, Continuous Bi-Level Dimming, Code-Compliant Manual-On or Auto-Off Capability
- **Sensor:** Motion (Occupancy/Vacancy/Manual) and Daylight



SPECIFICATIONS

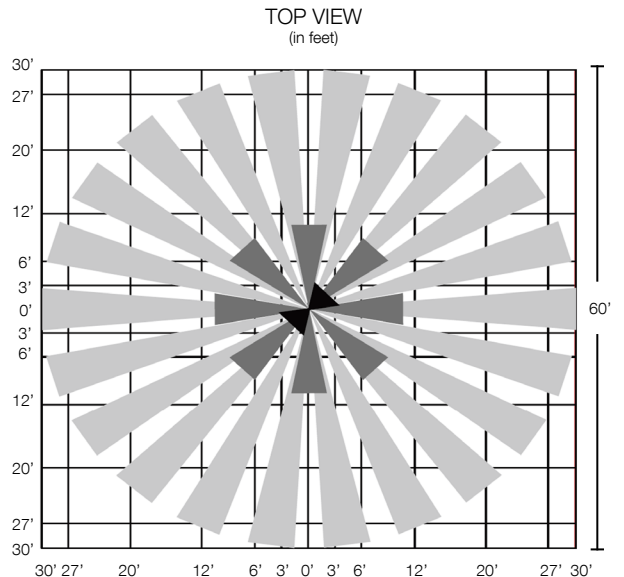
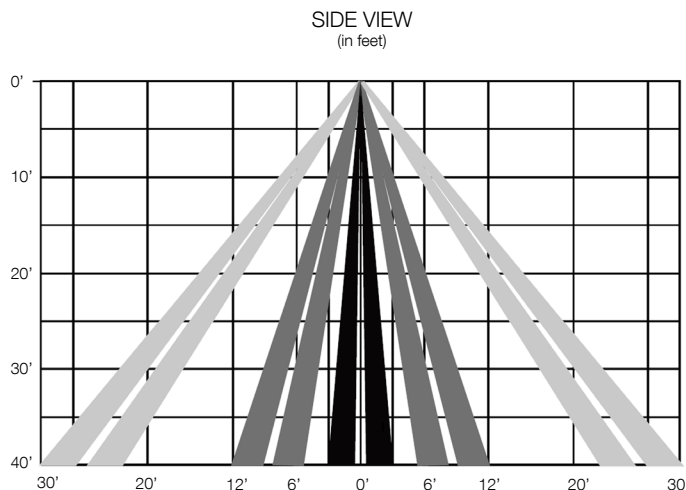
| | |
|-----------------------------|--|
| SENSOR TYPE: | Passive Infrared Sensor (PIR) |
| STANDARD OPTION: | SENSOR-ANT-6-4T |
| EMB OPTION: | SENSOR-ANT-6-4T-EM (Designed for fixtures with emergency kit. When the voltage power is off, the sensor will stop working.) |
| INPUT VOLTAGE: | 12-24VDC, >30mA |
| LIGHT CONTROL: | 10 ~ 50LUX |
| CONTROL OUTPUT: | 0-10V |
| OPERATING TEMP: | -4°F ~ +140°F (-20°C ~ +60°C) |
| COMMISSIONING RANGE: | 50FT from Remote Control |
| TIME SETTING: | 10sec ~ 60min (adjustable) |
| DETECTION ANGLE: | 360° |
| MOUNTING HEIGHT: | Up to 50FT. |
| WARRANTY: | 5 years |
| IP RATING: | IP65 |

DIMENSIONS



| H | W |
|-------------------|-----------------|
| 1.03" (26.2mm) | 2.17" (55mm) |

COVERAGE PATTERNS



ORDER CODES

| | |
|-----------------------------|---|
| SENSOR-ANT-6-4T | Plug-N-Play PIR on/off/dimming/photosensing up to 40FT MH |
| SENSOR-ANT-6-4T-EM | Plug-N-Play PIR on/off/dimming/photosensing for EMB application up to 40FT MH |
| SENSOR-ANT-6-4T-H | Plug-N-Play PIR on/off/dimming/photosensing up to 50FT MH |
| SENSOR-ANT-6-4T-H-EM | Plug-N-Play PIR on/off/dimming/photosensing for EMB application up to 50FT MH |



FEATURE

The Remote control wireless IR configuration tool is a handheld tool for remote configuration of IR-enabled fixture integrated sensors. The tool enables device to modify via push button and stores up to four sensor parameter modes to speed configuration of multiple sensors.

| | PROGRAMMABLE | RESET |
|---------------------------|--|--|
| COMPATIBLE SENSORS | SENSOR-ANT-6-4T SENSOR-ANT-6-4T-EM SENSOR-ANT-6-4T-H SENSOR-ANT-6-4T-H-EM SENSOR-ANT-7 SENSOR-ANT-3C-B1 SENSOR-819-D1/D2 SENSOR-823 SENSOR-820 | SENSOR-BLE-6-4T SENSOR-BLE-7 SENSOR-BLE-7D SENSOR-BLE-819 SENSOR-BLE-619 CONTROL-BLE-5-4T WALLSWITCH-BLE-101 WALLSWITCH-BLE-204 |



Dimension

L - 4.84" (123mm)
W - 2.76" (70mm)
H - .80" (20.3mm) Thickness

SPECIFICATION

Carrying Case

RC-100 in Carrying Case

Commissioning Range

Up to 50FT (15mm)

Operating Temp

32F ~ 122F (0°C ~ 50°C)

Power

2 x AAA 1.5V Alkaline batteries

BRIGHTNESS

Set output level (in 70%, 80%, 90%, or 100%) of connected lighting during occupancy.

SENSITIVITY

Set the sensitivity (in 20%, 50%, 75%, or 100%) of the occupancy sensor.

HOLD TIME

Set the time (in 10s, 1m, 5m, 10m, 16m, 20m, 30m, or 60m) that the fixture will hold at normal output after the space is vacant.

DAYLIGHT SENSOR

Set the threshold of natural light (in 10, 30, or 50) as setpoint to light on automatically for the sensor. If natural light is above the selected threshold, fixture will shut off. Set daylight (in 100, 300, 500) as setpoint to light off.

STAND-BY DIM/TIME

DIM: Set the output level (in 0%, 10%, 30%, or 50%) of the fixture during vacancy. This will only take place after Hold Time has elapsed.

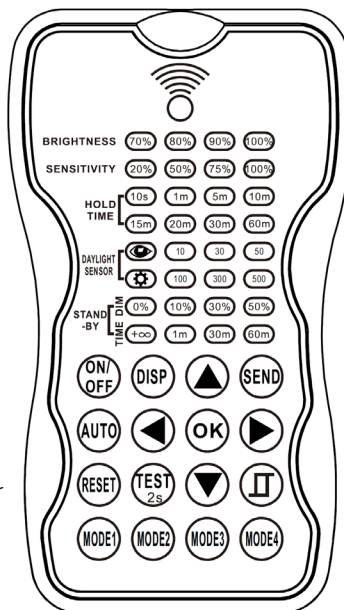
TIME: Set the time (+∞, 1m, 30m, or 50m) that the sensor will remain in stand-by mode before powering down.

ON/OFF

Use this to manually power a fixture on or off.

AUTO

Press Auto to engage/unlock a sensor. Press Auto, then press Display to show the sensors current setting parameters.



DISPLAY

Press to Display to view current setting parameters for each function. LED indicators will highlight current settings.

DIRECTIONAL ARROWS

Use the arrows to navigate the setting options by pressing up/down or left/right.

SEND

Press Send to upload displayed settings to individual sensor/fixture. The fixture will blink on and off to confirm new settings.

SMART DAYLIGHT SENSOR

Open and or close smart daylight sensor. Press up/down arrows buttons to enter setting condition, the parameters LEDs of remote control will flash to be selected.

TEST

Used to test sensitivity of occupancy sensing. Press Test, then the fixture will enter Test Mode, where Hold Time is only 2s. While Test Mode is active, Stand-By and Daylight sensing will be disabled. Press Auto to exit Test Mode.

RESET

Press Reset to put all parameters back to default settings.

MODE

Press the Mode # that you want to save. Use Directional Arrows to select new parameters. Press OK to confirm.

FEATURE

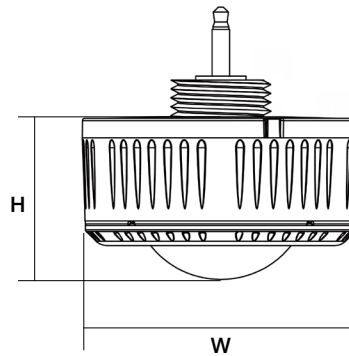
- **Installation:** Plug-N-Play via AUX socket on attached fixture
- **Commissioning:** Wirelessly through ALS Control Mobile App (iOS / Android)
- **Certification:** DLC 5.1 Networked Lighting Control System
- **Control:** Hold time, High-Low setting, continuous Bi-level dimming, Code-compliant manual-on or auto-off capability
- **Sensor:** Motion (Occupancy/Vacancy/Manual) and Daylight Harvesting
- **Room and Zone Control:** Zoning and Grouping control, Scheduling



SPECIFICATIONS

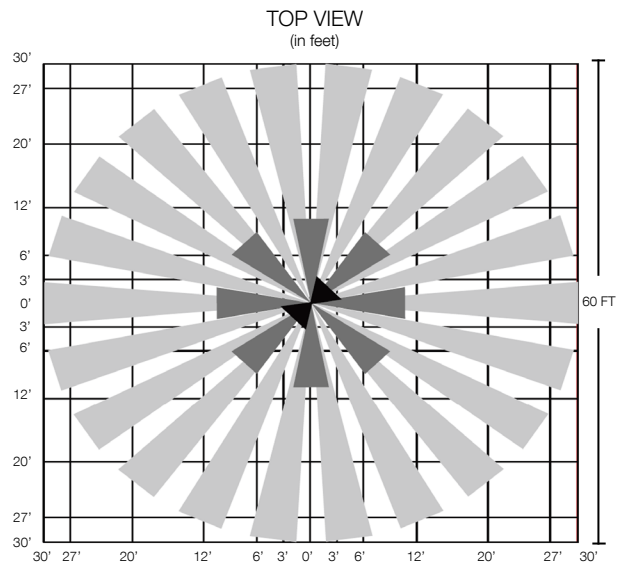
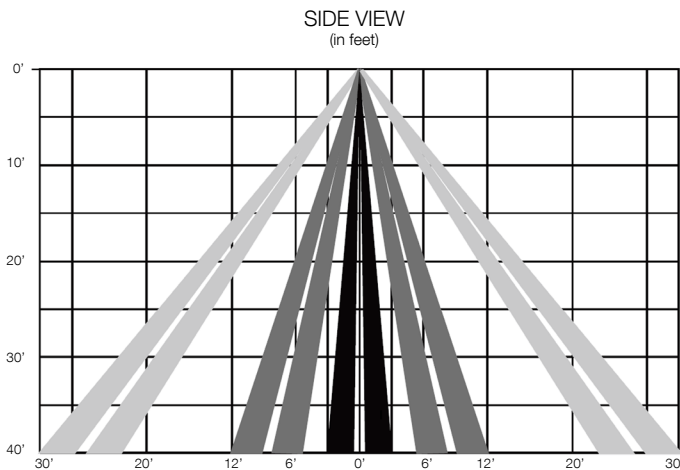
| | |
|-----------------------------|-------------------------------|
| SENSOR TYPE: | Passive Infrared Sensor (PIR) |
| WIRELESS STANDARDS: | 5.0 Bluetooth Mesh |
| INPUT VOLTAGE: | 12-24VDC, >50mA |
| CONTROL OUTPUT: | 0-10V |
| OPERATING TEMP: | -4°F ~ +140°F (-20°C ~ +60°C) |
| COMMISSIONING RANGE: | 50FT |
| BLUETOOTH RANGE: | 164FT |
| DETECTION ANGLE: | 360° |
| MOUNTING HEIGHT: | Up to 40FT |
| WARRANTY: | 5 years |
| IP RATING: | IP65 |

DIMENSIONS



| H | W |
|-------------------|-----------------|
| 1.03" (26.2mm) | 2.17" (55mm) |

COVERAGE PATTERNS



LHCA-G2 SERIES SELECTABLE LINEAR BAY LIGHT

CONTROL-LVFA SPEC

Status LEDs & Config Button

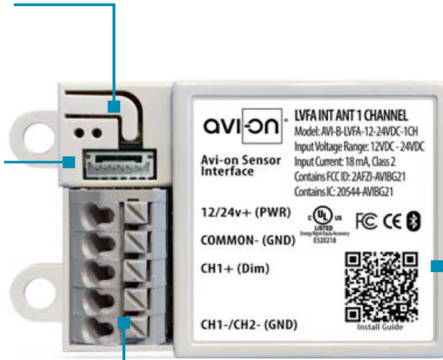
Quick and easy validation of wiring and network

Direct Connect™ Sensor Port

Simple and cost-effective addition to Avi-on sensors

Terminal Blocks & Mounting Tabs

Faster, easier and lower cost installation eliminating connectors



Internal Antenna

Improved performance and eliminates risk of accidentally cutting a hanging wire

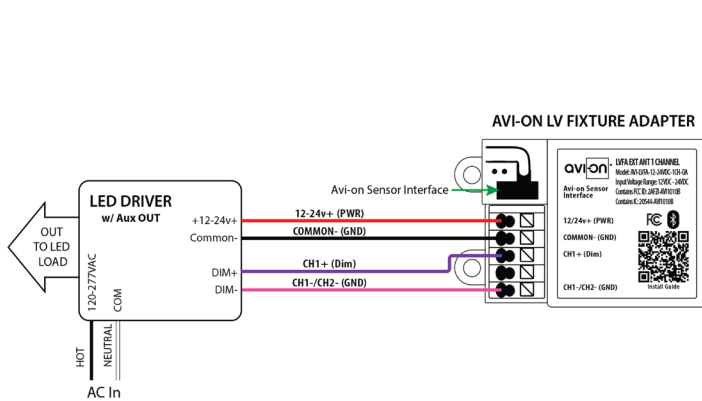
SPECIFICATIONS

INPUT VOLTAGE: 12-24VDC
CURRENT: 15mA without a Sensor
 19mA with a DC PIR Sensor
 48mA with a DC Microwave Sensor
0-10V DIMMING: 12-24VDC
SIZE: 2.30in x 1.43in x 0.75in
 (58.2mm x 36.4mm x 19mm)
MOUNTING: Removable mounting tabs
WEIGHT: 0.45 oz (16g)
OPERATING TEMP: -22°F to +158°F (-30°C to + 70°C)

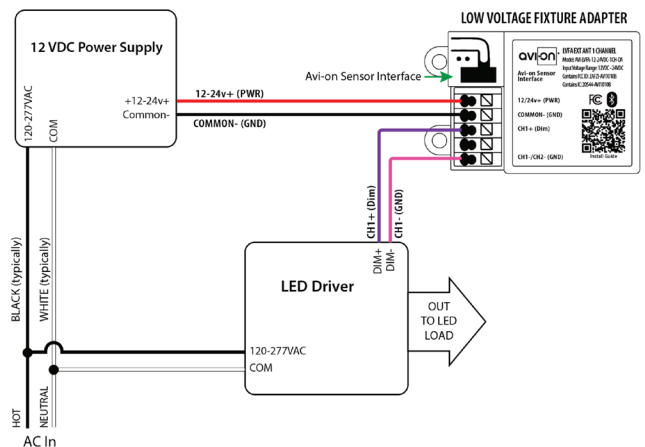
RADIO FREQUENCY: 2.4GHz
WIRELESS STANDARD: BLE 4.2 with Mesh
POINT TO POINT RANGE*: 80ft with obstructions
 350ft unobstructed
SECURITY: AES 128-bit encryption for device to device communication
 AES 256-bit encryption for device to cloud communication
WARRANTY: 5 years; 10 years optional
REGULATORY: FCC: 2AFZI-AVI1010 B
 IC: 20544-AVI1010 B
 BQB: D031801, DID: 86303
 UL 916, 2043 (Plenum Rated)

*When communicating through the mesh, range is essentially unlimited (5000ft+)

WIRING DIAGRAM



Fixture adapter powered by LED driver auxiliary output



Fixture adapter connected to LED driver and using power supply