

CPRA SERIES GARAGE LIGHT

Client:
 Project:
 Type:
 Quantity:

CONSTRUCTION

Rugged die-cast aluminum housing with corrosion resistant powder coat finish both protects and provides architectural appearance.
 Heat dissipating fins provide superior thermal performance extending the life of the luminaire. Feed-through wiring ready, 1/2" NPT threading with water tight cap.

OPTICS

Round drop lens constructed of polycarbonate material with refractive features built in to maximize area coverage, offers 1% uplight.

ELECTRICAL

70+ CRI Lumileds LED.
 -40°C up to 45°C (-40°F up to 113°F) maximum operating temperature.
 120,000 hr at L70 @ 25°C, 95,000 hr at L70 40°C.
 Driver operates at 120-277V input, 50/60Hz, 1-10V dimming driver standard. Option to have dimming leads pulled out for easy connection.
 12V AUX 3.5mm sensor receptacle for SENSOR-ANT-6-4T.
 <20% THD, 0.9 power factor.
 Optional Emergency Backup Battery.

SENSORS (OPTIONAL)

SENSOR-ANT-6-4T Plug-N-Play PIR on/off/dimming/photosensing.
 SENSOR-BLE-6-4T Integral PIR ALS Control bluetooth/on/off/dimming/photosensing.
 SENSOR-BLE-819 End mount ALS CONTROL bluetooth on/off motion sensor lowbay lens.
 SENSOR-PH-PB-U Integral button style photocell.
 CONTROL-LVFA AVI-ON Bluetooth Mesh Controller.

MOUNTING

Integrated universal mounting plate which mounts directly to 4" round, octagonal, and square junction boxes. The easy to install quick-mount bracket system allows for free hand wiring suitable for mounting to a surface mounted j-box or to a rigid or free swinging pendant (supplied by others).
 3/4" conduit entry on top for pendant mount. 1/2" conduit entry on two sides.

STANDARD FINISH

Corrosion resistant semi-gloss White finish.

CUSTOM FINISH

Corrosion resistant Dark Bronze, Black, Graphite Metallic, Gray, Silver, Custom RAL#.

CERTIFICATION

IP66 Wet location label standard.
 Meets Buy America Act requirements.
 All luminaires are built to UL1598 standards and bear appropriate cULus labels.
 For Emergency application, equipment with UL924 certified battery packs.
 DLC® Premium (DesignLights Consortium Qualified)

WARRANTY

5 year warranty, see Limited Warranty for additional information.



CPRA-60



CPRA-80

SHIPPING DATA

Product	Measurement	Weight
CPRA-60	13"L x 13"W x 4"H	6 lb
CPRA-80	13"L x 13"W x 4"H	6 lb



CPRA SERIES GARAGE LIGHT

ORDER INFORMATION **EXAMPLE : CPRA 60SC F WH UD**

Fixture	Series	Power & LM	CCT	Distribution	Mounting	Finish	Input
	CPRA		SC	F	JM		UD
	Accessories						
	Options						

A SERIES

CPRA Circular Garage Light Selectable

B POWER & LM

Code	Power	LM
60	Field Selectable 22/34/46/60W	3600/5000/6500/7500lm
80	Field Selectable 32/48/64/80W	4480/6580/8510/10400lm

C CCT

SC Field Selectable 4000 / 5000K

D DISTRIBUTION

F Frosted Drop Lens

E MOUNTING

JM Surface Mount (3/4" conduit entry on top)

F FINISH

Standard						
WH	White					
Custom Color						
CC	DB	Dark Bronze	BK	Black	GM	Graphite Metallic
	GR	Gray	SV	Silver		RAL#

G INPUT

UD 120-277V, 0-10V Dimmable

H ACCESSORIES/OPTIONS

BAA	Assembled in America, compliant with BAA (COTS)
EMB-8W*	External 90-Minute Self-Diagnostic Emergency Battery 8w 170VDC Forward Voltage
SENSOR-ANT-6-4T*	Integral PIR on/off/dimming/photosensing
SENSOR-ANT-6-4T-EM*	Integral PIR on/off/dimming/photosensing with EMB
SENSOR-BLE-6-4T*	Plug-N-Play Bluetooth on/off/dimming/Daylight Harvesting Sensor (ALS Control Mobile App)
SENSOR-BLE-6-4T-EM*	Plug-N-Play Bluetooth on/off/dimming/Daylight Harvesting Sensor (ALS Control Mobile App) for EMB application
SENSOR-PH-PB-U*	Button Style Photocell
CONTROL-LVFA*	AVI-ON Bluetooth Mesh Control System
REMOTE-RC100	Handheld Remote Commissioning Tool for SENSOR-ANT (1 per job)

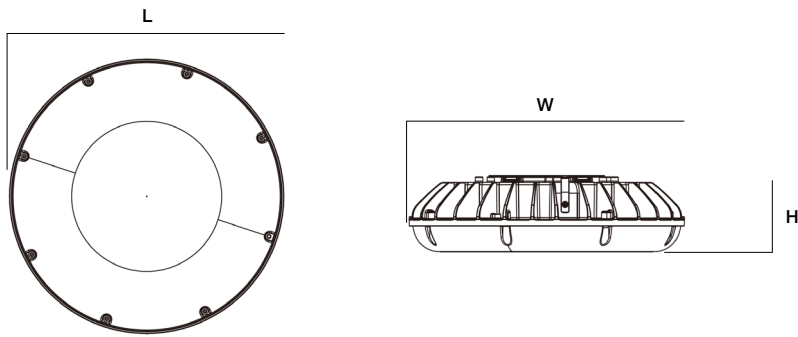
*see page 5 for sensor and emb spec

CPRA SERIES GARAGE LIGHT

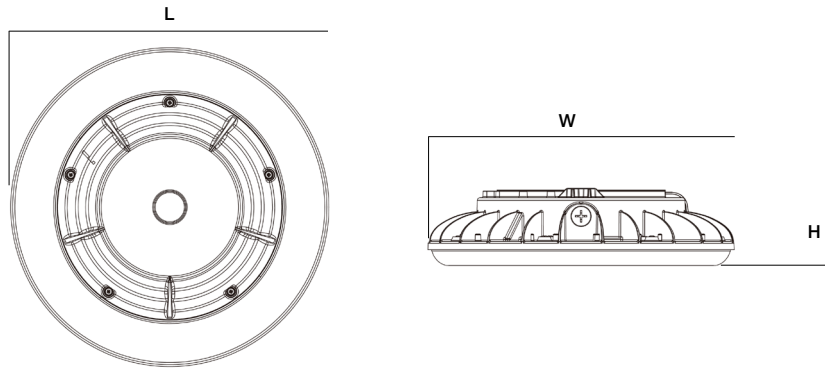
DIMENSIONS

Power	L	W	H
CPRA-60	ø 12.00" (305mm)	ø 12.00" (305mm)	3.32" (84mm)
CPRA-80	ø 13.04" (331mm)	ø 13.04" (331mm)	3.26" (83mm)

CPRA-60



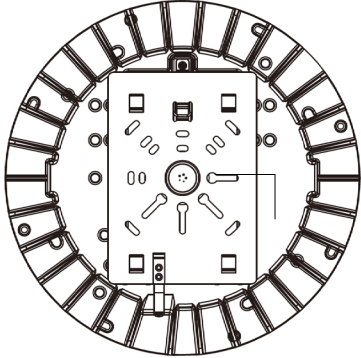
CPRA-80



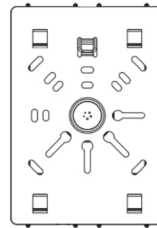
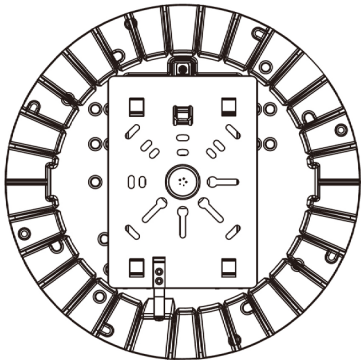
CPRA SERIES GARAGE LIGHT

MOUNTING OPTIONS

CPRA-60

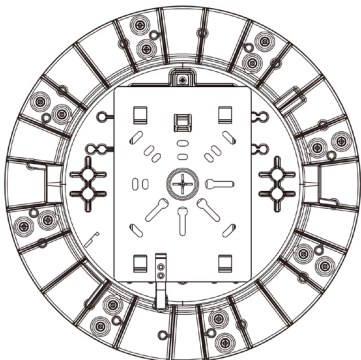


3/4" conduit entry on top for pendant mount

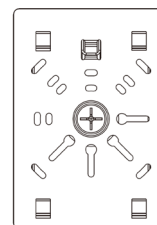
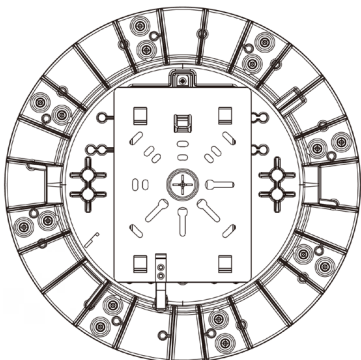


Surface Mount Plate
For direct mounting with electrical box

CPRA-80



3/4" conduit entry on top for pendant mount



Surface Mount Plate
For direct mounting with electrical box

CPRA SERIES GARAGE LIGHT

PERFORMANCE DATA

CPRA-60		4000K		5000K		QTY ON PALLET
SYSTEM WATTS	VOLTAGE	LUMENS	LPW	LUMENS	LPW	
22W	120-277V	3,600	164	3500	159	252
34W	120-277V	5,000	147	4,900	134	252
46W	120-277V	6,500	141	6,300	137	252
60W	120-277V	7,700	128	7,500	125	252

CPRA-80		4000K		5000K		QTY ON PALLET
SYSTEM WATTS	VOLTAGE	LUMENS	LPW	LUMENS	LPW	
32W	120-277V	4,480	140	4,320	135	252
48W	120-277V	6,580	137	6,350	132	252
64W	120-277V	8,510	133	8,200	128	252
80W	120-277V	10,400	130	10,000	125	252

DLC CODE

Part Number	DLC Part Number	DLC Class
CPRA - 60 SC F - XX DB UD	OEM Part #: MCP0360W27VDDK[D,B,W][Blank,M]PG Product ID: S-W23ZD1	Premium
CPRA - 80 SC F - XX DB UD	OEM Part #: MCP0380W27VDDK[D,B,W][Blank,M]PG Product ID: S-W23ZD1	Premium

CPRA SERIES GARAGE LIGHT

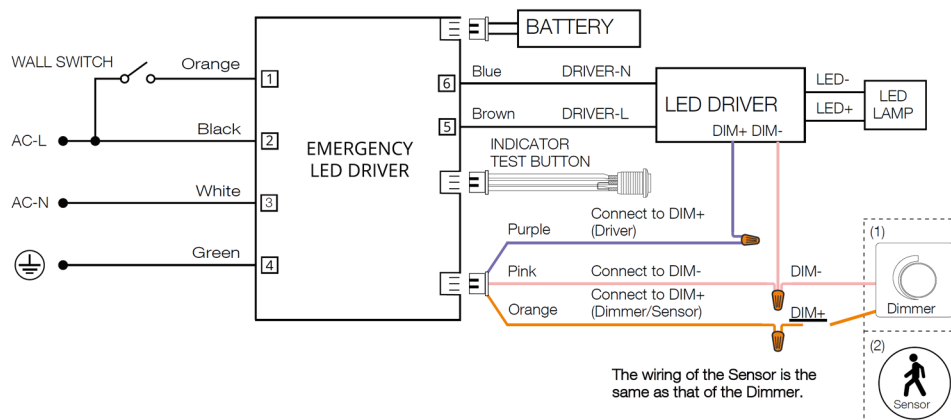
SENSOR SPEC

Model	Type	Mounting	Coverage	Input	Function	Programmable
SENSOR-ANT-6-4T SENSOR-ANT-6-4T-EM	PIR	up to 40FT	30FT radius	12V DC	On/Off/Dimming	REMOTE-RC100
SENSOR-BLE-6-4T SENSOR-BLE-6-4T-EM (see page 8 for detail)	PIR	up to 40FT	30FT radius	12V DC	Bluetooth Mesh On/Off/Dimming Daylight Harvesting	ALS Control Bluetooth Mobile App
SENSOR-PH-PB-U	-	-	-	Universal	Dusk-to-Dawn Control	-
CONTROL-LVFA (see page 7 for detail)	Fixture Controller	-	-	12V DC	Bluetooth Mesh On/Off/Dimming Scheduling	AVI-ON Bluetooth Mobile App



EMB SPEC

Model	Battery Capacity	Input	Output	Output Power	Operating Temp	Installation
EMB-8W	90mins	100-347VAC	170VDC	8W	0°C ~ 50°C 32°F ~ 122°F	Field Install Factory Install



CPRA SERIES GARAGE LIGHT

CONTROL-LVFA SPEC

Status LEDs & Config Button

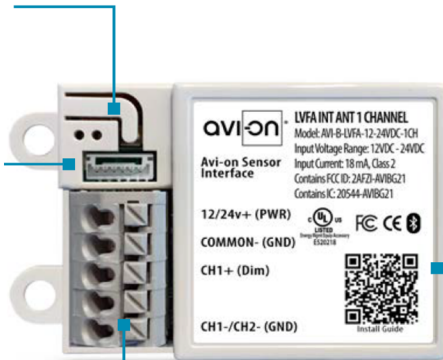
Quick and easy validation of wiring and network

Direct Connect™ Sensor Port

Simple and cost-effective addition to Avi-on sensors

Terminal Blocks & Mounting Tabs

Faster, easier and lower cost installation eliminating connectors



Internal Antenna

Improved performance and eliminates risk of accidentally cutting a hanging wire

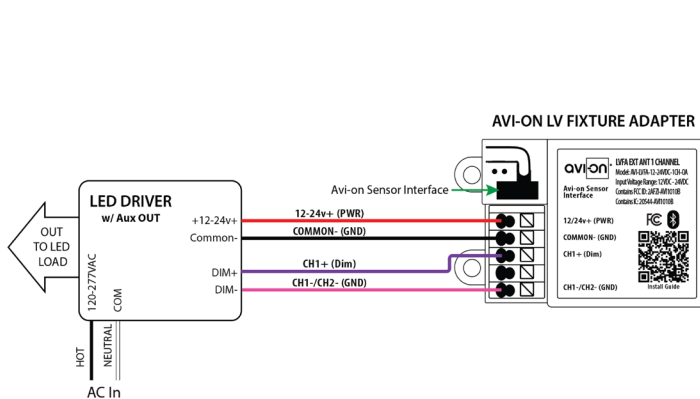
SPECIFICATIONS

INPUT VOLTAGE: 12-24VDC
CURRENT: 15mA without a Sensor
 19mA with a DC PIR Sensor
 48mA with a DC Microwave Sensor
0-10V DIMMING: 12-24VDC
SIZE: 2.30in x 1.43in x 0.75in
 (58.2mm x 36.4mm x 19mm)
MOUNTING: Removable mounting tabs
WEIGHT: 0.45 oz (16g)
OPERATING TEMP: -22°F to +158°F (-30°C to + 70°C)

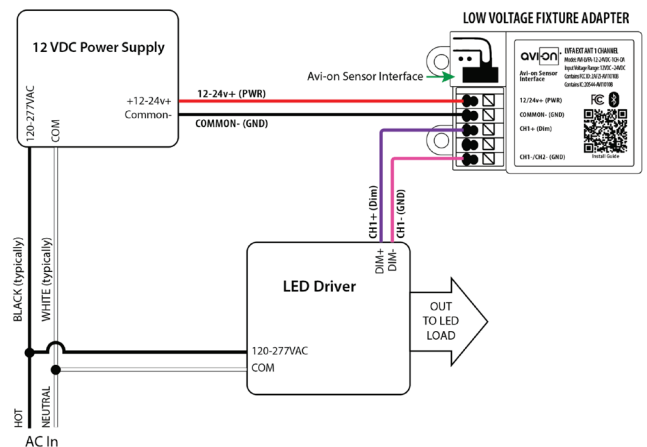
RADIO FREQUENCY: 2.4GHz
WIRELESS STANDARD: BLE 4.2 with Mesh
POINT TO POINT RANGE*: 80ft with obstructions
 350ft unobstructed
SECURITY: AES 128-bit encryption for device to device communication
 AES 256-bit encryption for device to cloud communication
WARRANTY: 5 years; 10 years optional
REGULATORY: FCC: 2AFZI-AVI1010 B
 IC: 20544-AVI1010 B
 BQB: D031801, DID: 86303
 UL 916, 2043 (Plenum Rated)

*When communicating through the mesh, range is essentially unlimited (5000ft+)

WIRING DIAGRAM



Fixture adapter powered by LED driver auxiliary output



Fixture adapter connected to LED driver and using power supply

FEATURE

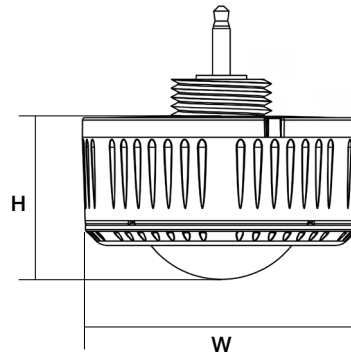
- **Installation:** Plug-N-Play via AUX socket on attached fixture
- **Commissioning:** Wirelessly through ALS Control Mobile App (iOS / Android)
- **Certification:** DLC 5.1 Networked Lighting Control System
- **Control:** Hold time, High-Low setting, continuous Bi-level dimming, Code-compliant manual-on or auto-off capability
- **Sensor:** Motion (Occupancy/Vacancy/Manual) and Daylight Harvesting
- **Room and Zone Control:** Zoning and Grouping control, Scheduling



SPECIFICATIONS

SENSOR TYPE:	Passive Infrared Sensor (PIR)
WIRELESS STANDARDS:	5.0 Bluetooth Mesh
INPUT VOLTAGE:	12-24VDC, >50mA
CONTROL OUTPUT:	0-10V
OPERATING TEMP:	-4°F ~ +140°F (-20°C ~ +60°C)
COMMISSIONING RANGE:	50FT
BLUETOOTH RANGE:	164FT
DETECTION ANGLE:	360°
MOUNTING HEIGHT:	Up to 40FT
WARRANTY:	5 years
IP RATING:	IP65
FACTORY DEFAULT SETTINGS:	100% Brightness for 5 min Dim Down to 30% Hold for 10 min Turn Off

DIMENSIONS



H	W
1.03" (26.2mm)	2.17" (55mm)

COVERAGE PATTERNS

