



# TRBP SERIES BACKLIT TROFFER

Client:  
Project:  
Type:  
Quantity:

### CONSTRUCTION

Low profile extruded aluminum housing with durable white powder coat finish provides long-term performance and a clean architectural appearance. Compact design is ideal for shallow plenum spaces.

### OPTICS

Backlit LED design provides uniform and soft illumination for a comfortable lighting experience. Engineered to deliver consistent light distribution with excellent color consistency across three selectable CCT options.

### ELECTRICAL

80+ CRI LEDs.  
Greater than 87.8% LED lumen maintenance at 50,000 hours based on IES LM-80 testing at 77°F (25 °C) ambient.  
Operating Temp: -4°F ~ 104°F (-20°C ~ 40°C).  
Driver operates at 110-277V input, 0-10V dimmable driver, down to 10%.  
Power factor >0.9 and THD <20%.  
Field-selectable wattage and CCT (3500K / 4000K / 5000K).  
Optional emergency back-up battery - choice of on-panel or in-ceiling test switch.

### SENSORS (OPTIONAL)

CONTROL-LVFA AVI-ON Bluetooth Mesh Controller.  
CONTROL-BLE-620 Bluetooth Wireless Fixture Controller for CCT Tuning, Dimming, Grouping, Scheduling Features (ALS Control Mobile App)

### MOUNTING

Designed to accommodate lay-in ceilings.  
Surface mount applications, use surface kit accessories.

### STANDARD FINISH

White powder coated finish.

### CERTIFICATION

Meets Buy America Act requirements.  
cULus Listed for Damp locations.  
All luminaires are built to UL1598 standards and bear appropriate cULus labels.  
For Emergency application, equipment with UL924 certified battery packs.  
DLC® Standard (DesignLights Consortium Listed)

### WARRANTY

5 year warranty, see Limited Warranty for additional information.



TRBP-2



TRBP-1



TRBP-4



**TRBP SERIES BACKLIT TROFFER**

| ORDER INFORMATION |             |       |     |        | TRBP 1 8MC WH UD |  |
|-------------------|-------------|-------|-----|--------|------------------|--|
| Fixture           | Series      | Model | CCT | Finish | Input            |  |
|                   | TRBP        |       | 8MC | WH     | UD               |  |
| Mounting          | Accessories |       |     |        |                  |  |
|                   | Options     |       |     |        |                  |  |

| A    | SERIES          |  |
|------|-----------------|--|
| TRBP | Backlit Troffer |  |

| B | MODEL |      |                 |                       |             |
|---|-------|------|-----------------|-----------------------|-------------|
|   | Code  | Size | Power           | CCT                   | lm/W (avg.) |
|   | 1     | 1x4  | 25W / 30W / 35W | 3500K / 4000K / 5000K | 110lm/W     |
|   | 2     | 2x2  | 25W / 30W / 35W | 3500K / 4000K / 5000K | 110lm/W     |
|   | 4     | 2x4  | 30W / 40W / 50W | 3500K / 4000K / 5000K | 110lm/W     |

| C   | CCT  |  |
|-----|--|--|
| 8MC | 80 CRI, Field Selectable 3500K / 4000K / 5000K |  |

| D  | FINISH |  |
|----|--------|--|
| WH | White  |  |

| E  | INPUT                       |  |
|----|-----------------------------|--|
| UD | 110-277V, 0-10V 10% Dimming |  |

| F               | MOUNTING  |  |
|-----------------|---|--|
| blank           | Standard lay-in   |  |
| MOUNT-LP-14-FGK | 1.52" Tall 1x4 Flange Kit (Plaster, Sheetrock or Drywall) |  |
| MOUNT-LP-22-FGK | 1.52" Tall 2x2 Flange Kit (Plaster, Sheetrock or Drywall) |  |
| MOUNT-LP-24-FGK | 1.52" Tall 2x4 Flange Kit (Plaster, Sheetrock or Drywall) |  |
| MOUNT-LP-14-SMK | 4" Tall 1x4 Surface Mount Kit for TRBP                    |  |
| MOUNT-LP-22-SMK | 4" Tall 2x2 Surface Mount Kit for TRBP                    |  |
| MOUNT-LP-24-SMK | 4" Tall 2x4 Surface Mount Kit for TRBP                    |  |

| G                | ACCESSORIES/OPTIONS   |  |
|------------------|---|--|
| BAA              | Assembled in America, compliant with BAA (COTS)   |  |
| -C               | 3/8" x 6FT Steel Flex 5-18AWG Solid 6' leads BLK/WH/GRN/PUR/PNK & 3/8" Die Cast Screw-In Locknut Connectors               |  |
| CONTROL-BLE-620* | Bluetooth Wireless Fixture Controller for CCT Tuning, Dimming, Grouping, Scheduling Features (ALS Control Mobile App)     |  |
| CONTROL-LVFA*    | AVI-ON Bluetooth Mesh Control System  |  |
| GTD-ESRLUD*      | Emergency Battery Generator Transfer Device 120-277 VAC Input   |  |
| EMB-6W*          | 90-Minute Self-Diagnostic Emergency Battery 6W 100-347VAC Input 170VDC Output (Only compatible with Test Switch On Panel) |  |
| EMB-H08170*      | 90-Minute Self-Diagnostic Emergency Battery 8W 100-347VAC Input 170VDC Output (Only compatible with Remote Test Switch)   |  |
| EMB-H18170*      | 90-Minute Self-Diagnostic Emergency Battery 18W 100-347VAC Input 170VDC Output (Only compatible with Remote Test Switch)  |  |

\*see page 4 for emb and sensor spec.

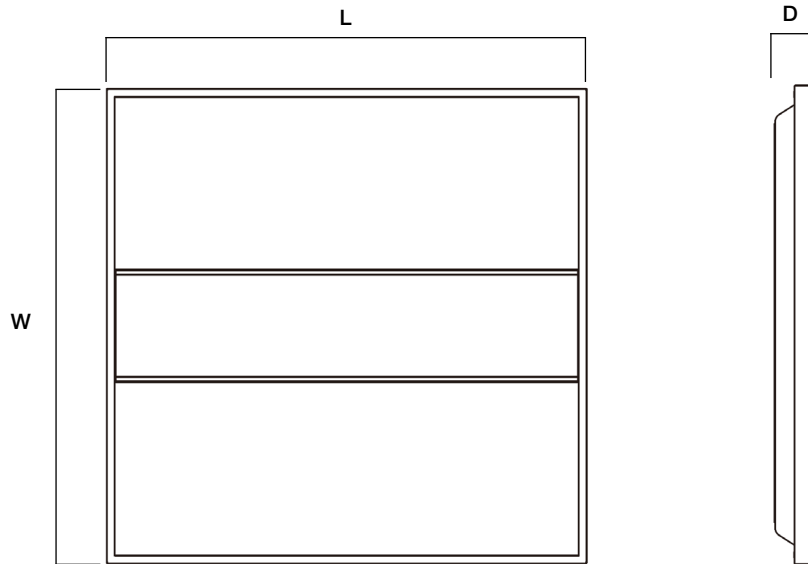
| H     | EMERGENCY TEST SWITCH INSTALLATION                     |  |
|-------|--|--|
| blank | Remote Test Switch                                     |  |
| T*    | Test Switch On Panel (for EMB-6W Only - Made to Order) |  |

\*see page 3 for detail.

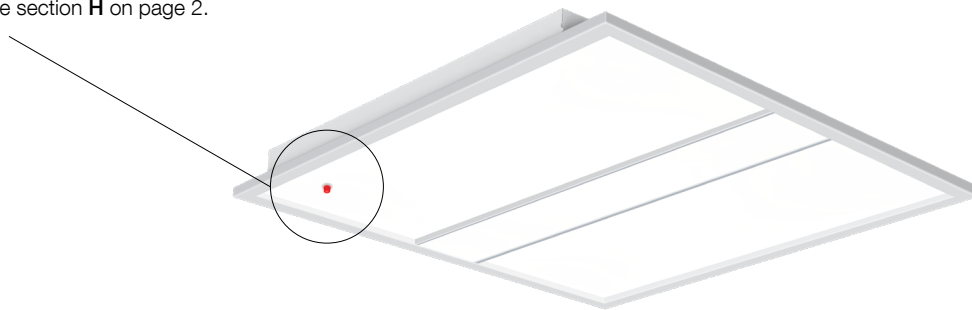
**TRBP SERIES BACKLIT TROFFER**

**DIMENSIONS**

| Model  | L               | W              | D            |
|--------|-----------------|----------------|--------------|
| TRBP-1 | 47.72" (1212mm) | 11.77" (299mm) | 1.93" (49mm) |
| TRBP-2 | 23.74" (603mm)  | 23.74" (603mm) | 1.93" (49mm) |
| TRBP-4 | 47.72" (1212mm) | 23.74" (603mm) | 1.93" (49mm) |



**TEST SWITCH FOR EMB-6W**  
 Visible Test Switch Optional for EMB-6W.  
 See section H on page 2.



**TRBP SERIES BACKLIT TROFFER**

**SENSOR SPEC**

| Model                                      | Type                  | Mounting               | Coverage | Input  | Function   | Programmable                           |
|--|-----------------------|------------------------|----------|--------|--|--|
| CONTROL-LVFA<br>(see page 5 for detail)    | -                     | -                      | -        | 12V DC | Bluetooth Mesh<br>On/Off/Dimming<br>Scheduling     | AVI-ON<br>Bluetooth<br>Mobile App      |
| CONTROL-BLE-620<br>(see page 6 for detail) | Fixture<br>Controller | Integral to<br>Fixture | -        | 12V DC | CCT Tuning<br>Dimming<br>Grouping<br>Time Schedule | ALS Control<br>Bluetooth<br>Mobile App |



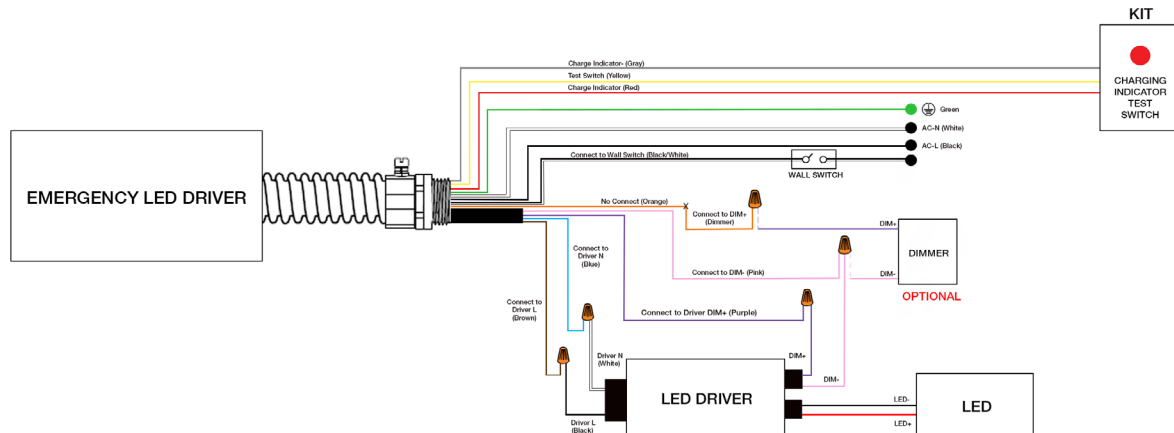
CONTROL-LVFA



CONTROL-BLE-620

**EMB SPEC**

| Model      | Battery Capacity | Input      | Output | Output Power | Operating Temp             | Installation                   |
|------------|------------------|------------|--------|--------------|----------------------------|--------------------------------|
| EMB-6W     | 90mins           | 100-347VAC | 170VDC | 6W           | 0°C ~ 50°C<br>32°F ~ 122°F | Factory                        |
| EMB-H08170 | 90mins           | 100-347VAC | 170VDC | 8W           | 0°C ~ 50°C<br>32°F ~ 122°F | Factory<br>or<br>Field Install |
| EMB-H18170 | 90mins           | 100-347VAC | 170VDC | 18W          | 0°C ~ 50°C<br>32°F ~ 122°F | Factory<br>or<br>Field Install |



**TRBP SERIES BACKLIT TROFFER**

**CONTROL-LVFA SPEC**

**Status LEDs & Config Button**

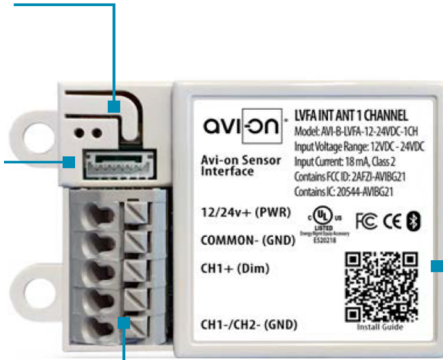
Quick and easy validation of wiring and network

**Direct Connect™ Sensor Port**

Simple and cost-effective addition to Avi-on sensors

**Terminal Blocks & Mounting Tabs**

Faster, easier and lower cost installation eliminating connectors



**Internal Antenna**

Improved performance and eliminates risk of accidentally cutting a hanging wire

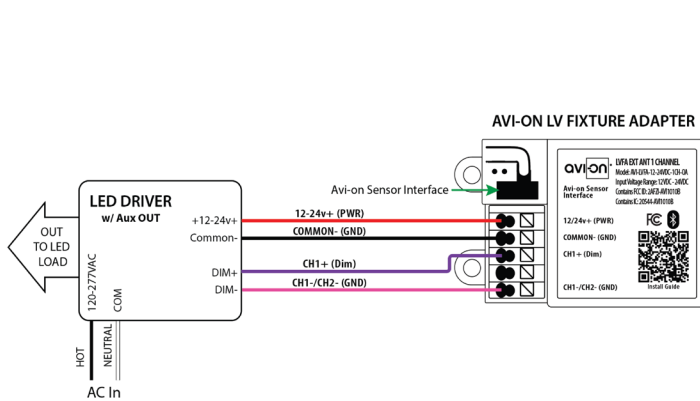
**SPECIFICATIONS**

**INPUT VOLTAGE:** 12-24VDC  
**CURRENT:** 15mA without a Sensor  
 19mA with a DC PIR Sensor  
 48mA with a DC Microwave Sensor  
**0-10V DIMMING:** 12-24VDC  
**SIZE:** 2.30in x 1.43in x 0.75in  
 (58.2mm x 36.4mm x 19mm)  
**MOUNTING:** Removable mounting tabs  
**WEIGHT:** 0.45 oz (16g)  
**OPERATING TEMP:** -22°F to +158°F (-30°C to + 70°C)

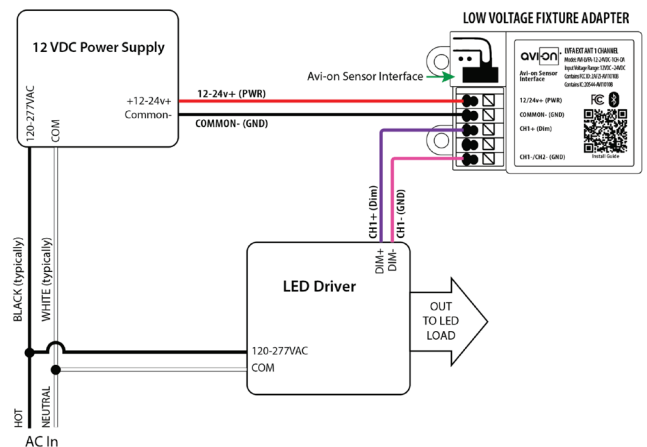
**RADIO FREQUENCY:** 2.4GHz  
**WIRELESS STANDARD:** BLE 4.2 with Mesh  
**POINT TO POINT RANGE\*:** 80ft with obstructions  
 350ft unobstructed  
**SECURITY:** AES 128-bit encryption for device to device communication  
 AES 256-bit encryption for device to cloud communication  
**WARRANTY:** 5 years; 10 years optional  
**REGULATORY:** FCC: 2AFZI-AVI1010 B  
 IC: 20544-AVI1010 B  
 BQB: D031801, DID: 86303  
 UL 916, 2043 (Plenum Rated)

\*When communicating through the mesh, range is essentially unlimited (5000ft+)

**WIRING DIAGRAM**



Fixture adapter powered by LED driver auxiliary output



Fixture adapter connected to LED driver and using power supply



# CONTROL-BLE-620 BLUETOOTH CONTROLLER

Client:  
Project:  
Type:  
Quantity:

## FEATURE

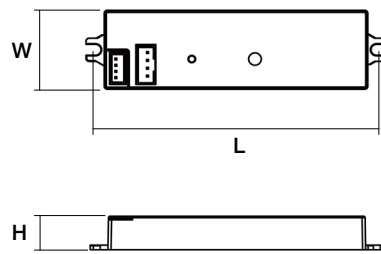
- **Installation:** Factory installed, 12V AUX power required
- **Commissioning:** Wirelessly through ALS Control Mobile App (iOS / Android)
- **Certification:** DLC 5.1 Networked Lighting Control System
- **Control:** Dimming, High-End Trim, Zoning, Continuous Bi-level Dimming
- **CCT Tuning:** CCT Tuning feature for Dual/Multi-CCT LED board fixture only
- **Sensor:** Plug-N-Play with ALS Control sensors
- **Zone Control:** Zoning and Grouping control, Scheduling



## SPECIFICATIONS

|                             |                                |
|-----------------------------|--------------------------------|
| <b>WIRELESS STANDARDS:</b>  | 5.0 Bluetooth Mesh             |
| <b>INPUT VOLTAGE:</b>       | 12-14VDC, >50mA                |
| <b>OUTPUT VOLTAGE:</b>      | LED Max. 150VDC Max. 2A        |
| <b>CONTROL OUTPUT:</b>      | 0-10V                          |
| <b>OPERATING TEMP:</b>      | -40°F ~ +158°F (-40°C ~ +70°C) |
| <b>COMMISSIONING RANGE:</b> | 50FT                           |
| <b>BLUETOOTH RANGE:</b>     | 100FT                          |
| <b>WARRANTY:</b>            | 5 years                        |
| <b>IP RATING:</b>           | IP20                           |

## DIMENSIONS



| L              | H               | W               |
|----------------|-----------------|-----------------|
| 3.5"<br>(89mm) | 0.43"<br>(11mm) | 1.00"<br>(26mm) |

| Lead Wire         | Antenna Wire      |
|-------------------|-------------------|
| 10.60"<br>(270mm) | 10.60"<br>(270mm) |

## WIRING DIAGRAM

