



AL8A SERIES AREA LIGHT

Client:
Project:
Type:
Quantity:

CONSTRUCTION

Rugged die-cast aluminum housing with hinged, die-cast aluminum door.
Low profile, 3G vibration rated compact design minimizes wind load requirements.
Driver enclosure cover opens downwards, completely sealed against moisture and dusty.

OPTICS

UV-resistant polycarbonate optics, available in Type II, III, IV, V distributions.
Full cutoff when mounted with non-adjustable SR Mount or at 0 degrees tilt with adjustable Slipfitter or Trunnion Mount. Optics is precisely designed to shape the distribution, maximizing efficiency and application spacing.

ELECTRICAL

70 CRI Lumileds LED.
Field Selectable Lumen / CCT Technology.
-40°C up to 50°C (-40°F up to 122°F) maximum ambient temperature.
Long-life 100,000 hr LED at L70 @ 40°C.
Driver operates at 120-277V input, 0-10V dimmable driver, down to 10%.
50/60Hz, <20% THD, 0.9 power factor. Optional 347/480V input. Optional 10kV surge protection. Optional dimming sensor for occupancy and photosensing.

SENSORS (OPTIONAL)

SENSOR-BLE-6-4T Plug-N-Play PIR ALS Control Bluetooth/on/off/dimming/photosensing.
SENSOR-ANT-6-4T Plug-N-Play PIR on/off/dimming/photosensing.
SENSOR-PH-PB-U Integral button style photocell.
SENSOR-PH-PT-U/UD/HD Twist lock dimming/non-dimming photocontrol.
CONTROL-LVFA AVI-ON Bluetooth Mesh Controller.

MOUNTING

Non-adjustable pole mount bracket (SR) suitable for both round and square pole.
Optional slipfitter for 2-3/8" tenon (SF), non-adjustable wall mount (WM), adjustable trunnion mount (TR) and tilt-able pole mount bracket (SRT).

STANDARD FINISH

Corrosion resistant Dark Bronze powder coating finish.

CUSTOM FINISH

Corrosion resistant Black, Graphite Metallic, Gray, Silver, White, Custom RAL#.

CERTIFICATION

IP65 Wet location label standard.
Meets Buy America Act requirements.
TAA Compliant.
IDA compliant: with 3000K color temperature selection.
Title 24 compliant; see local ordinance for qualification information.
All luminaires are built to UL1598 standards and bear appropriate cULus labels.
DLC® Premium (DesignLights Consortium Qualified) listed.

WARRANTY

5 year warranty, see Limited Warranty for additional information.



100/140/180W w/SR Pole Mount (Fixed)



250/300/400W w/SRT Pole Mount (Tilt)

SHIPPING DATA

Product	Measurement	Weight
AL8A-100	16"L x 14"W x 3"H	10 lb
AL8A-140	16"L x 14"W x 3"H	10 lb
AL8A-180	16"L x 14"W x 3"H	11 lb
AL8A-250	26"L x 14"W x 3"H	15 lb
AL8A-300	26"L x 14"W x 3"H	16 lb
AL8A-400	26"L x 14"W x 3"H	17 lb



AL8A SERIES AREA LIGHT

ORDER INFORMATION **EXAMPLE : AL8A 180 SC T3 DB UNVD**

Fixture	Series	Power & LM	CCT	Distribution	Finish	Input
	AL8A		SC			

A SERIES

AL8A	Area Light
-------------	------------

B POWER & LM

Code	Power	LM*	Efficacy (avg.)*
100	Field Selectable 40 / 60 / 80 / 100W	7,000 / 10,200 / 13,300 / 16,000	175lm/W
140	Field Selectable 60 / 90 / 120 / 140W	10,500 / 15,600 / 20,500 / 23,500	171lm/W
180	Field Selectable 72 / 108 / 144 / 180W	11,800 / 17,300 / 22,800 / 28,000	160lm/W
250	Field Selectable 100 / 150 / 200 / 250W	16,500 / 23,800 / 31,000 / 38,000	158lm/W
300	Field Selectable 120 / 180 / 240 / 300W	20,800 / 29,700 / 38,000 / 46,000	162lm/W

*LM Value & Efficacy based on 4000K, T5 Distribution

C CCT

SC	Field Selectable 3000K / 4000K / 5000K
-----------	--

D DISTRIBUTION

T2	Type II	T4	Type IV
T3	Type III	T5	Type V

E FINISH

Standard			
DB	Dark Bronze		
Custom Color			
CC	BK Black	GM Graphite Metallic	GR Gray
	SV Silver	WH White	RAL#

F INPUT

UNVD	120-277V, 1-10V Dimmable	HVLD	347-480V, 0-10V Dimmable
-------------	--------------------------	-------------	--------------------------

AL8A SERIES AREA LIGHT

ORDER INFORMATION (CONTINUED)

Mounting

**Accessories
Options**

G MOUNTING

MOUNT-AL8A-SF	Slipfitter	MOUNT-AL8A-TR	Trunnion Mount
MOUNT-AL8A-SR	Square/Round Pole Non-Adjustable	MOUNT-AL8A-WM	Wall Mount
MOUNT-AL8A-SRT	Square/Round Pole Tilt-able		

H ACCESSORIES/OPTIONS

BAA	Assembled in America, compliant with BAA (COTS)
SHIELD-AL8A	Backlight Shield on Lens
SHIELD-AL8A-VISOR-A / B	4-Side Visor, A: 100 ~ 180W, B: 250 ~ 400W
SENSOR-ANT-6-4T*	Integral PIR On/Off/Dimming/Photosensing
SENSOR-BLE-6-4T*	“Plug-N-Play” Integral Bluetooth Daylight Harvesting Sensor (ALS Control Mobile App)
SENSOR-PH-PB-U*	Button Style Photocell
SENSOR-PH-PT-U / UD / HD*	Twist Lock Photocell / U: 120-277V, UD: 120-277V, HD: 480V Input
REMOTE-RC100	Handheld Remote Commissioning Tool for SENSOR-ANT (1 per job)
SURGE-LSP4-U / H	10kV Inline Surge Protection for Universal Input / U: 120-277V, H: 480V Input
CONTROL-BLE-SK104-PH*	Integral Bluetooth Fixture Controller w/Button Photocell (ALS Control Mobile App)
CONTROL-LVFA*	AVI-ON Bluetooth Mesh Control System

*see page 11 for Sensor spec

**see page 10 for Shield spec

AL8A SERIES AREA LIGHT

ORDER INFORMATION **EXAMPLE : AL8A 400 MC T3 DB UNVD**

Fixture	Series	Power & LM	CCT	Distribution	Finish	Input
	AL8A	400	MC			

A SERIES

AL8A Area Light

B POWER & LM

Code	Power	LM*	Efficacy (avg.)*
400	Field Selectable 300 / 320 / 360 / 400W	47,500 / 51,500 / 56,500 / 61,000	159lm/W

*LM Value & Efficacy based on 4000K, T5 Distribution

C CCT

MC Field Selectable 4000K / 5000K

D DISTRIBUTION

T2	Type II	T4	Type IV
T3	Type III	T5	Type V

E FINISH

Standard

DB Dark Bronze

Custom Color

CC	BK Black	GM Graphite Metallic	GR Gray
	SV Silver	WH White	RAL#

F INPUT

UNVD	120-277V, 1-10V Dimmable	HVLD	347-480V, 0-10V Dimmable
-------------	--------------------------	-------------	--------------------------

AL8A SERIES AREA LIGHT

ORDER INFORMATION (CONTINUED)

Mounting

**Accessories
Options**

G MOUNTING

MOUNT-AL8A-SF	Slipfitter	MOUNT-AL8A-TR	Trunnion Mount
MOUNT-AL8A-SR	Square/Round Pole Non-Adjustable	MOUNT-AL8A-WM	Wall Mount
MOUNT-AL8A-SRT	Square/Round Pole Tilt-able		

H ACCESSORIES/OPTIONS

BAA	Assembled in America, compliant with BAA (COTS)
SHIELD-AL8A**	Backlight Shield on Lens
SHIELD-AL8A-VISOR-A / B**	4-Side Visor, A: 100 ~ 180W, B: 250 ~ 400W
SENSOR-ANT-6-4T*	Integral PIR On/Off/Dimming/Photosensing
SENSOR-BLE-6-4T*	“Plug-N-Play” Integral Bluetooth Daylight Harvesting Sensor (ALS Control Mobile App)
SENSOR-PH-PB-U*	Button Style Photocell
SENSOR-PH-PT-U / UD / HD*	Twist Lock Photocell / U: 120-277V, UD: 120-277V, HD: 480V Input
REMOTE-RC100	Handheld Remote Commissioning Tool for SENSOR-ANT (1 per job)
SURGE-LSP4-U / H	10kV Inline Surge Protection for Universal Input / U: 120-277V, H: 480V input
CONTROL-BLE-SK104-PH*	Integral Bluetooth Fixture Controller w/Button Photocell (ALS Control Mobile App)
CONTROL-LVFA*	AVI-ON Bluetooth Mesh Control System

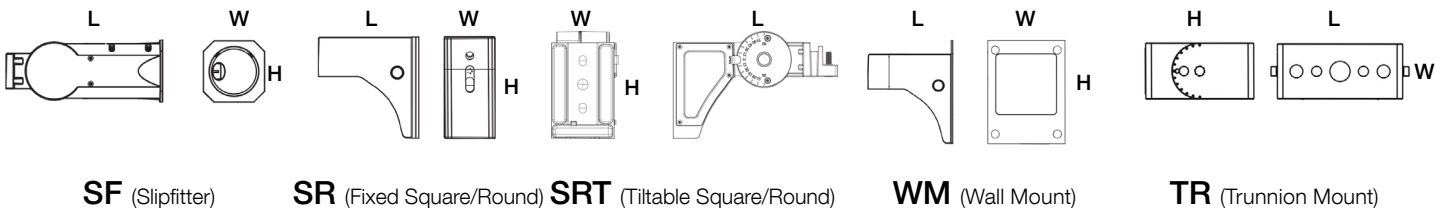
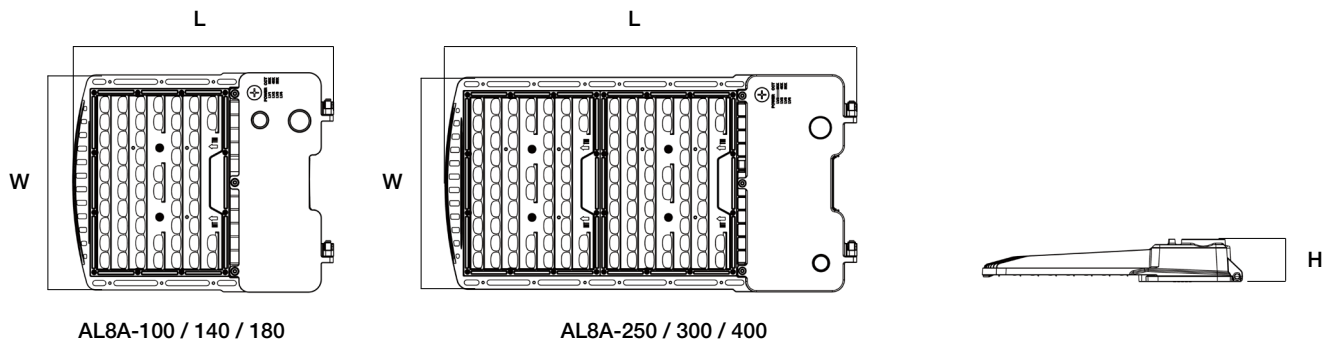
*see page 11 for Sensor spec

**see page 10 for Shield spec

AL8A SERIES AREA LIGHT

DIMENSIONS

Model	L	W	H
AL8A-100 / 140 / 180	15.61" (396mm)	13.00" (331mm)	2.05" (52mm)
AL8A-250 / 300 / 400	24.98" (634mm)	13.00" (331mm)	2.46" (62mm)
Bracket - SF	10.00" (254mm)	3.35" (85mm)	3.35" (85mm)
Bracket - SR	8.45" (215mm)	3.55" (90mm)	6.97" (177mm)
Bracket - SRT	9.25" (235mm)	3.55" (90mm)	6.97" (177mm)
Bracket - WM	8.17" (208mm)	5.98" (152mm)	7.99" (203mm)
Bracket - TR	5.93" (151mm)	5.43" (138mm)	1.97" (50mm)



EPA (ft²)

Mounting Option	Single	2 @ 90°	2 @ 120°	2 @ 180°	3 @ 90°	3 @ 120°	4 @ 90°
100 / 140 / 180W	0.363	0.685	0.886	0.726	1.048	1.208	1.048
250 / 300 / 400W	0.476	0.809	1.059	0.952	1.285	1.392	1.285

AL8A SERIES AREA LIGHT

PERFORMANCE DATA

SYSTEM WATTS	DIST. TYPE	3000K			4000K			5000K		
		LUMEN	LPW	BUG RATING	LUMEN	LPW	BUG RATING	LUMEN	LPW	BUG RATING
AL8A-100 @ 40W	II	6452	160	B2-U0-G2	6872	170	B2-U0-G2	6569	164	B2-U0-G2
	III	6422	160	B2-U0-G1	6836	170	B2-U0-G2	6570	164	B2-U0-G2
	IV	6435	160	B2-U0-G1	6863	170	B2-U0-G1	6566	164	B2-U0-G1
	V	6570	164	B3-U0-G1	7057	175	B3-U0-G1	6764	168	B3-U0-G1
AL8A-100 @ 60W	II	9374	155	B2-U0-G2	10045	167	B3-U0-G2	9652	160	B3-U0-G2
	III	9363	155	B2-U0-G2	10062	167	B2-U0-G2	9685	160	B2-U0-G2
	IV	9366	155	B2-U0-G2	13062	217	B3-U0-G2	9666	160	B2-U0-G2
	V	9646	160	B3-U0-G1	10247	170	B3-U0-G2	9857	164	B3-U0-G2
AL8A-100 @ 80W	II	12094	150	B3-U0-G2	13075	163	B3-U0-G3	12562	156	B3-U0-G2
	III	12056	150	B3-U0-G2	13084	163	B3-U0-G2	12524	156	B3-U0-G2
	IV	12037	150	B3-U0-G2	13062	163	B3-U0-G2	12546	156	B3-U0-G2
	V	12545	156	B3-U0-G2	13354	166	B3-U0-G2	12821	160	B3-U0-G2
AL8A-100 @ 100W	II	14883	145	B3-U0-G3	15880	163	B3-U0-G3	14902	150	B3-U0-G3
	III	15301	154	B3-U0-G3	15600	160	B3-U0-G3	15401	155	B3-U0-G3
	IV	14557	145	B3-U0-G2	15843	158	B3-U0-G2	15066	150	B3-U0-G2
	V	15171	151	B4-U0-G2	16050	160	B4-U0-G2	15643	156	B4-U0-G2
AL8A-140 @ 60W	II	9482	157	B3-U0-G2	10387	172	B3-U0-G2	9777	162	B3-U0-G2
	III	9463	157	B2-U0-G2	10363	172	B2-U0-G2	9782	162	B2-U0-G2
	IV	9447	157	B2-U0-G2	10388	172	B2-U0-G2	9775	162	B2-U0-G2
	V	9618	160	B3-U0-G1	10549	175	B3-U0-G2	10064	167	B3-U0-G2
AL8A-140 @ 90W	II	13863	153	B3-U0-G3	15247	169	B3-U0-G3	14282	158	B3-U0-G3
	III	13812	153	B3-U0-G3	15256	169	B3-U0-G3	14263	158	B3-U0-G3
	IV	13826	154	B3-U0-G2	15274	169	B3-U0-G2	14246	158	B3-U0-G2
	V	14078	156	B4-U0-G2	15613	173	B4-U0-G2	14549	161	B4-U0-G2
AL8A-140 @ 120W	II	18063	150	B3-U0-G3	20089	167	B3-U0-G3	18577	154	B3-U0-G3
	III	18079	150	B3-U0-G3	20123	167	B3-U0-G3	18536	154	B3-U0-G3
	IV	18053	150	B3-U0-G3	20085	167	B3-U0-G3	18521	154	B3-U0-G3
	V	18566	154	B4-U0-G2	20543	171	B4-U0-G2	19049	159	B4-U0-G2
AL8A-140 @ 140W	II	20973	143	B3-U0-G3	23037	165	B3-U0-G3	21247	145	B3-U0-G3
	III	22878	151	B3-U0-G3	22693	157	B3-U0-G3	22908	151	B3-U0-G3
	IV	20639	147	B3-U0-G3	23024	164	B3-U0-G3	21074	150	B3-U0-G3
	V	21047	150	B4-U0-G2	23549	168	B4-U0-G2	21592	154	B4-U0-G2
AL8A-180 @ 72W	II	10592	146	B3-U0-G2	11553	160	B3-U0-G2	10851	150	B3-U0-G2
	III	10566	146	B2-U0-G2	11599	160	B2-U0-G2	10846	150	B2-U0-G2
	IV	10552	146	B2-U0-G2	11572	160	B2-U0-G2	10822	150	B2-U0-G2
	V	10864	150	B3-U0-G2	11849	164	B3-U0-G2	11062	153	B3-U0-G2
AL8A-180 @ 108W	II	15384	142	B3-U0-G3	16884	156	B3-U0-G3	15734	145	B3-U0-G3
	III	15375	142	B3-U0-G3	16892	156	B3-U0-G3	15756	145	B3-U0-G3
	IV	15378	142	B3-U0-G2	16881	156	B3-U0-G2	15727	145	B3-U0-G2
	V	15857	146	B4-U0-G2	17375	160	B4-U0-G2	16252	150	B4-U0-G2
AL8A-180 @ 144W	II	20262	140	B3-U0-G3	22063	153	B3-U0-G3	20653	143	B3-U0-G3
	III	20262	140	B3-U0-G3	22053	153	B3-U0-G3	20645	143	B3-U0-G3
	IV	20256	141	B3-U0-G3	22071	153	B3-U0-G3	20675	143	B3-U0-G3
	V	20826	144	B4-U0-G2	22860	158	B4-U0-G2	21049	146	B4-U0-G2
AL8A-180 @ 180W	II	24593	137	B4-U0-G3	27868	163	B4-U0-G3	25788	142	B4-U0-G3
	III	25473	142	B3-U0-G3	25876	148	B3-U0-G3	26616	148	B3-U0-G3
	IV	24877	138	B3-U0-G3	27084	150	B3-U0-G3	25282	140	B3-U0-G3
	V	25587	142	B4-U0-G2	28092	156	B5-U0-G3	26005	144	B4-U0-G2

AL8A SERIES AREA LIGHT

PERFORMANCE DATA (CONTINUE)

SYSTEM WATTS	DIST. TYPE	3000K			4000K			5000K		
		LUMEN	LPW	BUG RATING	LUMEN	LPW	BUG RATING	LUMEN	LPW	BUG RATING
AL8A-250 @ 100W	II	14552	145	B3-U0-G3	16053	160	B3-U0-G3	14863	148	B3-U0-G3
	III	14573	145	B3-U0-G3	16047	160	B3-U0-G3	14863	148	B3-U0-G3
	IV	14586	146	B3-U0-G2	16060	160	B3-U0-G2	14852	148	B3-U0-G2
	V	15087	150	B4-U0-G2	16575	165	B4-U0-G2	15572	155	B4-U0-G2
AL8A-250 @ 150W	II	21343	142	B3-U0-G3	23287	155	B3-U0-G3	21842	145	B3-U0-G3
	III	21374	142	B3-U0-G3	23287	155	B3-U0-G3	21848	145	B3-U0-G3
	IV	21362	142	B3-U0-G3	23287	155	B3-U0-G3	21818	145	B3-U0-G3
	V	21865	146	B4-U0-G2	23888	159	B4-U0-G2	22581	150	B4-U0-G2
AL8A-250 @ 200W	II	27599	138	B4-U0-G3	30426	152	B4-U0-G3	28463	142	B4-U0-G3
	III	27599	138	B3-U0-G3	30481	152	B4-U0-G3	28462	142	B4-U0-G3
	IV	27599	138	B3-U0-G3	30458	152	B4-U0-G3	28475	142	B3-U0-G3
	V	28084	140	B5-U0-G3	31072	155	B5-U0-G3	28867	144	B5-U0-G3
AL8A-250 @ 250W	II	36891	148	B4-U0-G4	38157	155	B4-U0-G4	37718	151	B4-U0-G4
	III	35608	147	B4-U0-G4	36118	151	B4-U0-G4	35758	148	B4-U0-G4
	IV	33573	134	B4-U0-G3	37078	148	B4-U0-G4	34582	138	B4-U0-G4
	V	34576	138	B5-U0-G3	38091	152	B5-U0-G3	35565	142	B5-U0-G3
AL8A-300 @ 120W	II	18057	150	B3-U0-G3	20099	167	B3-U0-G3	18556	154	B3-U0-G3
	III	18084	150	B3-U0-G3	20099	167	B3-U0-G3	18571	154	B3-U0-G3
	IV	18064	150	B3-U0-G3	20082	167	B3-U0-G3	18551	154	B3-U0-G3
	V	18562	154	B4-U0-G2	20871	174	B4-U0-G2	19033	158	B4-U0-G2
AL8A-300 @ 180W	II	26027	144	B4-U0-G3	28657	159	B4-U0-G3	26665	148	B4-U0-G3
	III	26025	144	B3-U0-G3	28656	159	B4-U0-G3	26666	148	B3-U0-G3
	IV	26050	145	B3-U0-G3	28672	159	B3-U0-G3	26675	148	B3-U0-G3
	V	26679	148	B4-U0-G2	29747	165	B5-U0-G3	27594	153	B4-U0-G3
AL8A-300 @ 240W	II	33687	140	B4-U0-G4	37062	154	B4-U0-G4	34589	144	B4-U0-G4
	III	33670	140	B4-U0-G4	37072	154	B4-U0-G4	34566	144	B4-U0-G4
	IV	33660	140	B4-U0-G3	37064	154	B4-U0-G4	34589	144	B4-U0-G4
	V	34569	144	B5-U0-G3	38091	159	B5-U0-G3	35577	148	B5-U0-G3
AL8A-300 @ 300W	II	43769	146	B5-U0-G4	48503	165	B5-U0-G4	44702	149	B5-U0-G4
	III	44208	150	B4-U0-G4	44812	152	B4-U0-G4	44723	150	B4-U0-G4
	IV	41099	137	B4-U0-G4	45082	150	B4-U0-G4	42077	140	B4-U0-G4
	V	42598	142	B5-U0-G4	46088	154	B5-U0-G4	43582	145	B5-U0-G4
AL8A-400 @ 300W	II	-	-	-	48566	162	B5-U0-G4	47766	159	B5-U0-G4
	III	-	-	-	48621	162	B5-U0-G4	47826	159	B5-U0-G4
	IV	-	-	-	48613	162	B4-U0-G4	47742	159	B4-U0-G4
	V	-	-	-	49210	164	B5-U0-G4	47993	160	B5-U0-G4
AL8A-400 @ 320W	II	-	-	-	51065	159	B5-U0-G4	50085	156	B5-U0-G4
	III	-	-	-	51052	159	B5-U0-G4	50079	156	B5-U0-G4
	IV	-	-	-	51025	159	B5-U0-G4	50050	156	B5-U0-G4
	V	-	-	-	51550	161	B5-U0-G4	50895	159	B5-U0-G4
AL8A-400 @ 360W	II	-	-	-	56145	156	B5-U0-G4	55183	153	B5-U0-G4
	III	-	-	-	56198	156	B5-U0-G5	55079	153	B5-U0-G5
	IV	-	-	-	56163	156	B5-U0-G5	55083	153	B5-U0-G5
	V	-	-	-	56585	157	B5-U0-G4	55571	154	B5-U0-G4
AL8A-400 @ 400W	II	-	-	-	60535	151	B5-U0-G4	60063	150	B5-U0-G4
	III	-	-	-	60576	151	B5-U0-G5	60073	150	B5-U0-G5
	IV	-	-	-	60563	151	B5-U0-G5	60084	150	B5-U0-G5
	V	-	-	-	61187	153	B5-U0-G4	60858	152	B5-U0-G4

AL8A SERIES AREA LIGHT

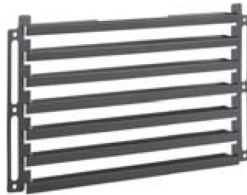
DLC CODE		
Part Number	DLC Product ID	DLC Class
AL8A-100SCT2-XXUNVD / AL8A-100SCT2-XXHVLD	PENDING	Premium
AL8A-100SCT3-XXUNVD / AL8A-100SCT3-XXHVLD	PENDING	Premium
AL8A-100SCT4-XXUNVD / AL8A-100SCT4-XXHVLD	PENDING	Premium
AL8A-100SCT5-XXUNVD / AL8A-100SCT5-XXHVLD	PENDING	Premium
AL8A-140SCT2-XXUNVD / AL8A-140SCT2-XXHVLD	PENDING	Premium
AL8A-140SCT3-XXUNVD / AL8A-140SCT3-XXHVLD	PENDING	Premium
AL8A-140SCT4-XXUNVD / AL8A-140SCT4-XXHVLD	PENDING	Premium
AL8A-140SCT5-XXUNVD / AL8A-140SCT5-XXHVLD	PENDING	Premium
AL8A-180SCT2-XXUNVD / AL8A-180SCT2-XXHVLD	S-TPXWZS	Premium
AL8A-180SCT3-XXUNVD / AL8A-180SCT3-XXHVLD	S-7D66LP	Premium
AL8A-180SCT4-XXUNVD / AL8A-180SCT4-XXHVLD	S-ZZ6VTX	Premium
AL8A-180SCT5-XXUNVD / AL8A-180SCT5-XXHVLD	S-FX5XD	Premium
AL8A-250SCT2-XXUNVD / AL8A-250SCT2-XXHVLD	S-YZTKRR	Premium
AL8A-250SCT3-XXUNVD / AL8A-250SCT3-XXHVLD	S-C5MP66	Premium
AL8A-250SCT4-XXUNVD / AL8A-250SCT4-XXHVLD	S-7H4J72	Premium
AL8A-250SCT5-XXUNVD / AL8A-250SCT5-XXHVLD	S-62ZTD4	Premium
AL8A-300SCT2-XXUNVD / AL8A-300SCT2-XXHVLD	S-RHD989	Premium
AL8A-300SCT3-XXUNVD / AL8A-300SCT3-XXHVLD	S-ZXDC45	Premium
AL8A-300SCT4-XXUNVD / AL8A-300SCT4-XXHVLD	S-HZWGQ2	Premium
AL8A-300SCT5-XXUNVD / AL8A-300SCT5-XXHVLD	S-CGCKR3	Premium
AL8A-400SCT2-XXUNVD / AL8A-400SCT2-XXHVLD	S-DKNTNR	Premium
AL8A-400SCT3-XXUNVD / AL8A-400SCT3-XXHVLD	S-YTDGB7	Premium
AL8A-400SCT4-XXUNVD / AL8A-400SCT4-XXHVLD	S-4ZXVKS	Premium
AL8A-400SCT5-XXUNVD / AL8A-400SCT5-XXHVLD	S-P5W4GY	Premium

SHIELD SPEC

SHIELD-AL8A

Backlight Shield on Lens

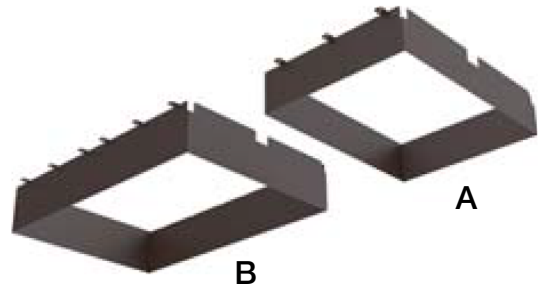
AL8A-100 ~ 180W 1:1
AL8A-250 ~ 400W 2:1



SHIELD-AL8A-VISOR

4-Side Metal Visor

A: AL8A-100 ~ 180W 1:1
B: AL8A-250 ~ 400W 1:1



AL8A SERIES AREA LIGHT

SENSOR SPEC

Model	Type	Mounting	Coverage	Input	Function	Programmable
SENSOR-ANT-6-4T	PIR	up to 40FT	30FT radius	12V DC	On/Off/Dimming	REMOTE-RC100
SENSOR-BLE-6-4T (see page 13 for detail)	PIR	up to 40FT	30FT radius	12V DC	Bluetooth Mesh On/Off/Dimming Daylight Harvesting	ALS Control Bluetooth Mobile App
SENSOR-PH-PB-U	-	-	-	Universal	Dusk-to-Dawn Control	-
SENSOR-PH-PT-U SENSOR-PH-PT-UD SENSOR-PH-PT-HD	-	-	-	Universal 277 ~ 480V	Dusk-to-Dawn Control	-
CONTROL-LVFA (see page 12 for detail)	Fixture Controller	-	-	12V DC	Bluetooth Mesh On/Off/Dimming Scheduling	AVI-ON Bluetooth Mobile App
CONTROL-BLE-SK104-PH (see page 14 for detail)	Fixture Controller	-	-	12V DC	Bluetooth Mesh On/Off/Dimming Scheduling CCT Tuning	ALS Control Bluetooth Mobile Control



SENSOR-ANT-6-4T
 SENSOR-BLE-6-4T



SENSOR-PH-PB-U



SENSOR-PH-PT-U/H



SENSOR-PH-PT-HD



CONTROL-LVFA



CONTROL-BLE-SK104-PH

AL8A SERIES AREA LIGHT

CONTROL-LVFA SPEC

Status LEDs & Config Button

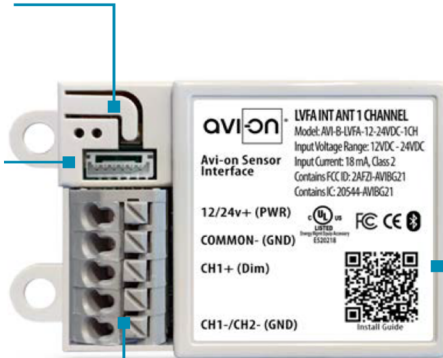
Quick and easy validation of wiring and network

Direct Connect™ Sensor Port

Simple and cost-effective addition to Avi-on sensors

Terminal Blocks & Mounting Tabs

Faster, easier and lower cost installation eliminating connectors



Internal Antenna

Improved performance and eliminates risk of accidentally cutting a hanging wire

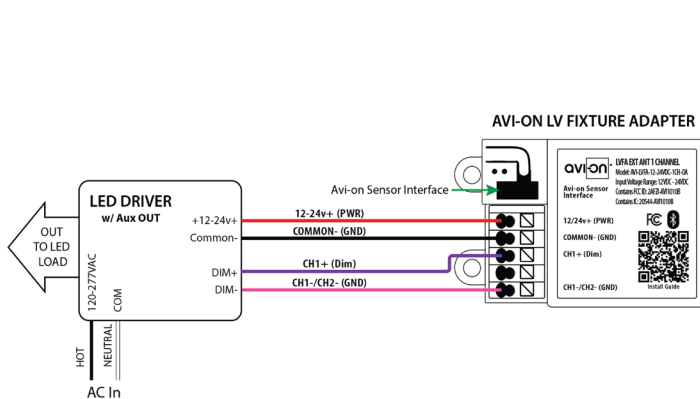
SPECIFICATIONS

INPUT VOLTAGE: 12-24VDC
CURRENT: 15mA without a Sensor
 19mA with a DC PIR Sensor
 48mA with a DC Microwave Sensor
0-10V DIMMING: 12-24VDC
SIZE: 2.30in x 1.43in x 0.75in
 (58.2mm x 36.4mm x 19mm)
MOUNTING: Removable mounting tabs
WEIGHT: 0.45 oz (16g)
OPERATING TEMP: -22°F to +158°F (-30°C to + 70°C)

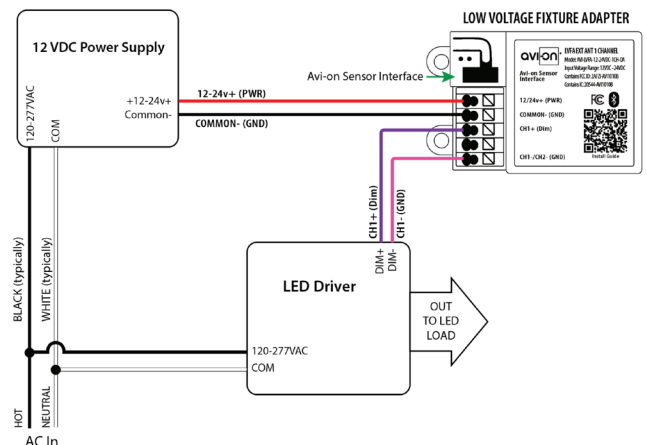
RADIO FREQUENCY: 2.4GHz
WIRELESS STANDARD: BLE 4.2 with Mesh
POINT TO POINT RANGE*: 80ft with obstructions
 350ft unobstructed
SECURITY: AES 128-bit encryption for device to device communication
 AES 256-bit encryption for device to cloud communication
WARRANTY: 5 years; 10 years optional
REGULATORY: FCC: 2AFZI-AVI1010 B
 IC: 20544-AVI1010 B
 BQB: D031801, DID: 86303
 UL 916, 2043 (Plenum Rated)

*When communicating through the mesh, range is essentially unlimited (5000ft+)

WIRING DIAGRAM



Fixture adapter powered by LED driver auxiliary output



Fixture adapter connected to LED driver and using power supply

FEATURE

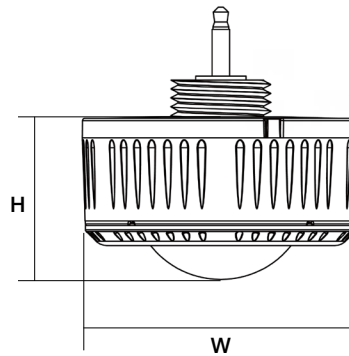
- **Installation:** Plug-N-Play via AUX socket on attached fixture
- **Commissioning:** Wirelessly through ALS Control Mobile App (iOS / Android)
- **Certification:** DLC 5.1 Networked Lighting Control System
- **Control:** Hold time, High-Low setting, continuous Bi-level dimming, Code-compliant manual-on or auto-off capability
- **Sensor:** Motion (Occupancy/Vacancy/Manual) and Daylight Harvesting
- **Room and Zone Control:** Zoning and Grouping control, Scheduling



SPECIFICATIONS

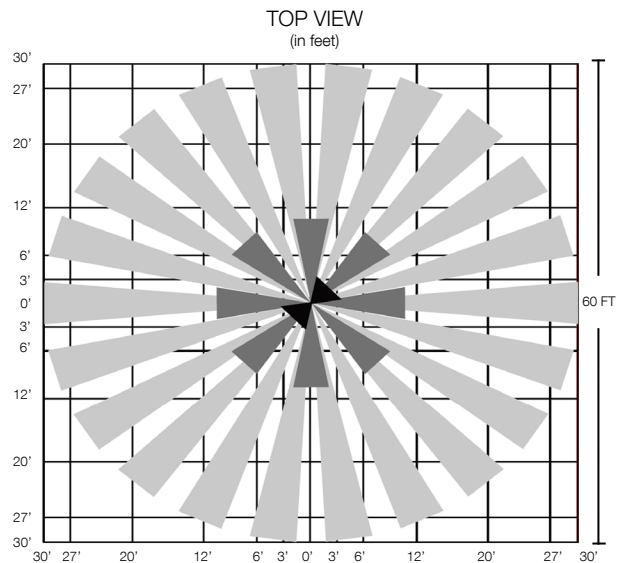
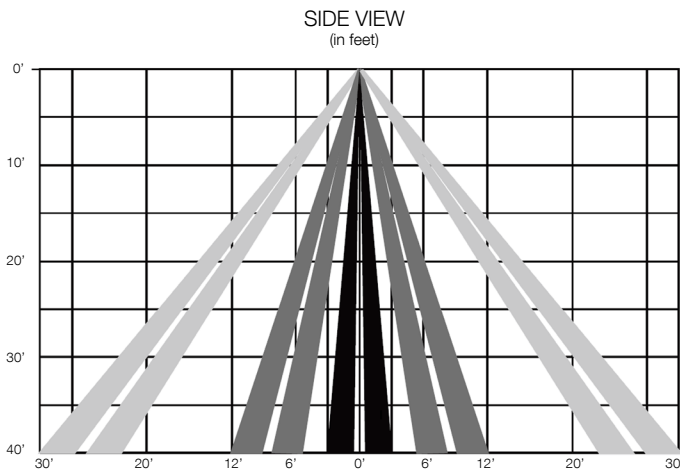
SENSOR TYPE:	Passive Infrared Sensor (PIR)
WIRELESS STANDARDS:	5.0 Bluetooth Mesh
INPUT VOLTAGE:	12-24VDC, >50mA
CONTROL OUTPUT:	0-10V
OPERATING TEMP:	-4°F ~ +140°F (-20°C ~ +60°C)
COMMISSIONING RANGE:	50FT
BLUETOOTH RANGE:	164FT
DETECTION ANGLE:	360°
MOUNTING HEIGHT:	Up to 40FT
WARRANTY:	5 years
IP RATING:	IP65

DIMENSIONS



H	W
1.03" (26.2mm)	2.17" (55mm)

COVERAGE PATTERNS



FEATURE

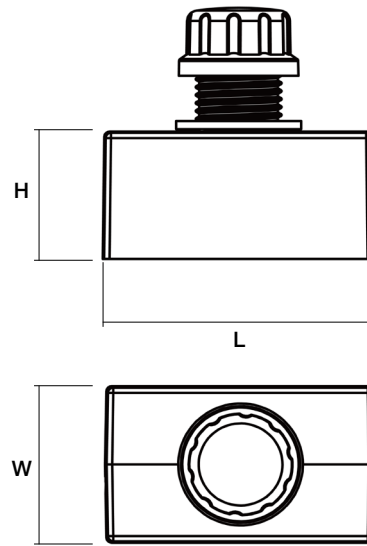
- **Installation:** Factory / Jobsite install through 1/2" knockout hole, 12V AUX power required
- **Commissioning:** Wirelessly through ALS Control Mobile App (iOS / Android)
- **Certification:** DLC 5.1 Networked Lighting Control System
- **Control:** High-End Trim, Zoning, Continuous Bi-level Dimming
- **CCT Tuning:** CCT Tuning feature for Dual/Multi-CCT LED board fixture only
- **Sensor:** Photocell
- **Zone Control:** Zoning and Grouping control, Scheduling



SPECIFICATIONS

SENSOR TYPE:	Photocell
WIRELESS STANDARDS:	5.0 Bluetooth Mesh
INPUT VOLTAGE:	12-14VDC, >50mA
CONTROL OUTPUT:	0-10V
OPERATING TEMP:	-40°F ~ +158°F (-40°C ~ +70°C)
COMMISSIONING RANGE:	50FT
BLUETOOTH RANGE:	100FT
DETECTION ANGLE:	360°
WARRANTY:	5 years
IP RATING:	IP65

DIMENSIONS



L	H	W
1.14" (29mm)	0.94" (24mm)	1.97" (50mm)

WIRING DIAGRAM

