

CONSTRUCTION

Low profile panel construction with a durable white finish for long-lasting performance. Designed for recessed ceiling installation with compatibility for suspension mounting using optional accessories. Suitable for wet locations with full-body IP65-rated enclosure.

OPTICS

Backlit design provides exceptional lighting distribution. Frosted polystyrene lens offers edge to edge illumination without pixilation or bright spots.

ELECTRICAL

80+ CRI.

Long-life, high-efficacy, micro-power LEDs, illumination for extended service life. Greater than 70% LED lumen maintenance at 100,000 hours (L70>100,000).

Selectable lumen and CCT technology allows easy field-adjustable capability, Special made 90CRI LED, consult factory.

Driver operates at 120-277V input, 0-10V dimmable driver.

MOUNTING

Designed to accommodate lay-in ceilings, Slot T, and T-bar suspension system for 5/8" and 3/8" width. Built-in earthquake clips come standard.

Surface/cable mount applications, use surface/cable kit accessories.

Plaster or sheetrock installations, select flange kit.

Hard ceiling application, select hard ceiling kit.

SENSORS (OPTIONAL)

SENSOR-BLE-7 Integral Microwave Bluetooth Wireless Motion/on/off/dimming/photosensing.

SENSOR-ANT-7 Integral Microwave Motion/on/off/dimming/photosensing.

CONTROL-LVFA AVI-ON Bluetooth Mesh Controller.

CONTROL-BLE-620 Bluetooth Wireless Fixture Controller for CCT Tuning, Dimming, Grouping, Scheduling Features (ALS Control Mobile App)

STANDARD FINISH

90% minimum average reflective white polyester powder coat bonded to phosphate-free, multi-stage pretreated metal. All parts painted after fabrication to facilitate installation, increase efficiency, and inhibit corrosion.

CERTIFICATION

IP65 Wet Rated.

Meets Buy America Act requirements.

RoHS Compliant.

All luminaires are built to UL1598 standards and bear appropriate cULus labels.

For Emergency application, equipment with UL924 certified battery packs.

DLC[®] Standard (DesignLights Consortium Listed)

WARRANTY

5 year warranty, see Limited Warranty for additional information.



LPAW WET LOCATION SELECTABLE BACKLIT PANEL

ORDER INFORMATION **EXAMPLE: LPAW 2 MC BACKLIT**

| | | | | |
|----------------|---------------|--------------|---------------|--------------|
| Fixture | Series | Model | Finish | Input |
| | LPAW | | WH | |

Mounting

**Accessories
Options**

A SERIES

LPAW Selectable Lumen and CCT Panel, IP65 Wet Rated

B MODEL

| Code | Size | Power | CCT | lm/W (avg.) |
|---------------------|------|-----------------|----------------------------------------|-------------|
| 2-MC-BACKLIT | 2x2 | 14W / 22W / 30W | Field Selectable 3500K / 4000K / 5000K | 135lm/W |
| 4-MC-BACKLIT | 2x4 | 28W / 36W / 44W | Field Selectable 3500K / 4000K / 5000K | 135lm/W |

C FINISH

WH White

D INPUT

blank 120-277V, 10% 0-10V Dimming w/12V AUX Output **UD1%** 120-277V, 1% 0-10V Dimming w/12V AUX Output

E MOUNTING

blank Standard lay-in
MOUNT-LP-22-FGK 1.52" Tall 2x2 Flange Kit (Plaster, Sheetrock or Drywall)
MOUNT-LP-24-FGK 1.52" Tall 2x4 Flange Kit (Plaster, Sheetrock or Drywall)
MOUNT-LP-22-SMK 4" Tall 2x2 Surface Mount Kit for LPA backlit
MOUNT-LP-24-SMK 4" Tall 2x4 Surface Mount Kit for LPA backlit
MOUNT-LP-PMK Aircraft Cable Pendant Mount

F ACCESSORIES/OPTIONS

BAA Assembled in America, compliant with BAA (COTS)
-C 3/8" x 6FT Steel Flex 5-18AWG Solid 6' leads BLK/WH/GRN/PUR/PNK & 3/8" Die Cast Screw-In Locknut Connectors
EMB-H08170* 90-Minute Self-Diagnostic Emergency Battery 8W 100-347VAC Input 170VDC Output
EMB-H18170* 90-Minute Self-Diagnostic Emergency Battery 18W 100-347VAC Input 170VDC Output
GTD-ESRLUD** Emergency Battery Generator Transfer Device 120-277 VAC Input
SENSOR-BLE-7* Integral Microwave Bluetooth Wireless Bi-Level Motion Sensor (ALS Control Mobile App)
SENSOR-ANT-7* Integral Microwave Bi-Level Motion Sensor
CONTROL-LVFA* AVI-ON Bluetooth Mesh Control System
CONTROL-BLE-620 Bluetooth Wireless Fixture Controller for CCT Tuning, Dimming, Grouping, Scheduling Features (ALS Control Mobile App)
REMOTE-RC100 Handheld Remote Commissioning Tool for SENSOR-ANT (1 per job)

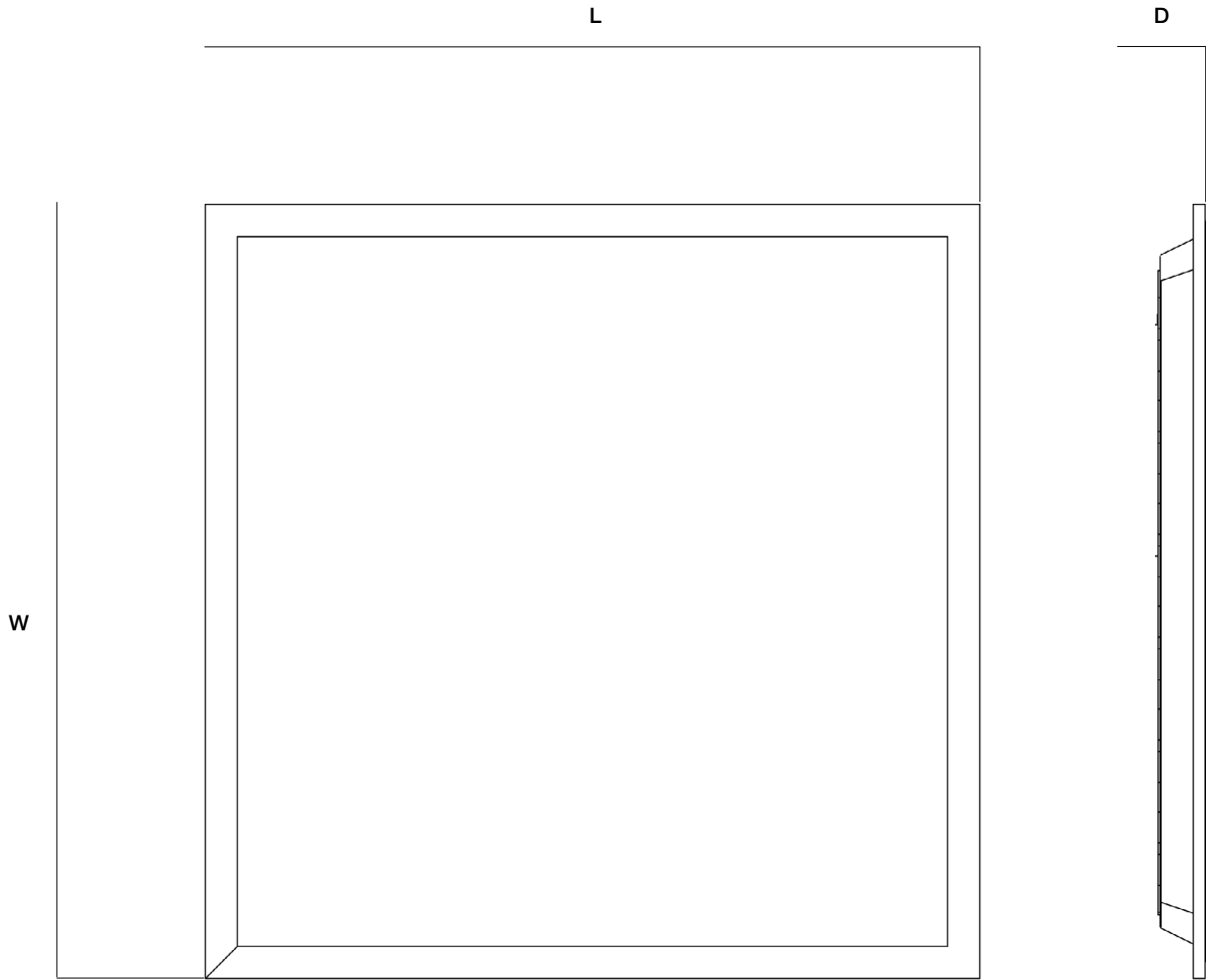
*see page 5 for sensor and emb spec

**see page 10-11 for GTD spec

LPAW WET LOCATION SELECTABLE BACKLIT PANEL

DIMENSIONS

| Model | L | W | D |
|-------------------|-----------------|----------------|--------------|
| LPAW-2-MC-BACKLIT | 23.70" (603mm) | 23.70" (603mm) | 1.40" (35mm) |
| LPAW-4-MC-BACKLIT | 47.80" (1213mm) | 23.70" (603mm) | 1.40" (35mm) |



LPAW WET LOCATION SELECTABLE BACKLIT PANEL

PERFORMANCE DATA - LPAW

| MODEL | SYSTEM WATTS | VOLTAGE | LUMENS | EFFICACY |
|----------------------------|--------------|----------|--------|----------|
| LPAW-2-MC-BACKLIT (2x2) | 14W | 120-277V | 2000 | 135 |
| | 22W | 120-277V | 3000 | |
| | 30W | 120-277V | 4000 | |
| LPAW-4-MC-BACKLIT (2x4) | 28W | 120-277V | 4000 | 135 |
| | 36W | 120-277V | 5000 | |
| | 44W | 120-277V | 6000 | |

DLC CODE

| Part Number | DLC Product ID | DLC Class |
|----------------------------|----------------|-----------|
| LPAW-2-MC-BACKLIT (2x2) | pending | Standard |
| LPAW-4-MC-BACKLIT (2x4) | pending | Standard |

LPAW WET LOCATION SELECTABLE BACKLIT PANEL

SENSOR SPEC

| Model | Type | Mounting | Coverage | Input | Function | Programmable |
|--------------------------------------------|-----------------------|------------------------|-------------|--------|----------------------------------------------------------------|----------------------------------------|
| CONTROL-LVFA (see page 6 for detail) | - | - | - | 12V DC | Bluetooth Mesh On/Off/Dimming Scheduling | AVI-ON Bluetooth Mobile App |
| CONTROL-BLE-620 (see page 7 for detail) | Fixture Controller | Integral to Fixture | - | 12V DC | CCT Tuning Dimming Grouping Time Schedule | ALS Control Bluetooth Mobile App |
| SENSOR-BLE-7 (see page 8 for detail) | Microwave | up to 13FT | 17FT radius | 12V DC | Bluetooth Mesh On/Off/Dimming Motion Daylight Sensing | ALS Control Bluetooth Mobile App |
| SENSOR-ANT-7 (see page 9 for detail) | Microwave | up to 12FT | 17FT radius | 10V DC | On/Off/Dimming Motion Daylight Sensing | REMOTE-RC100 |



CONTROL-LVFA



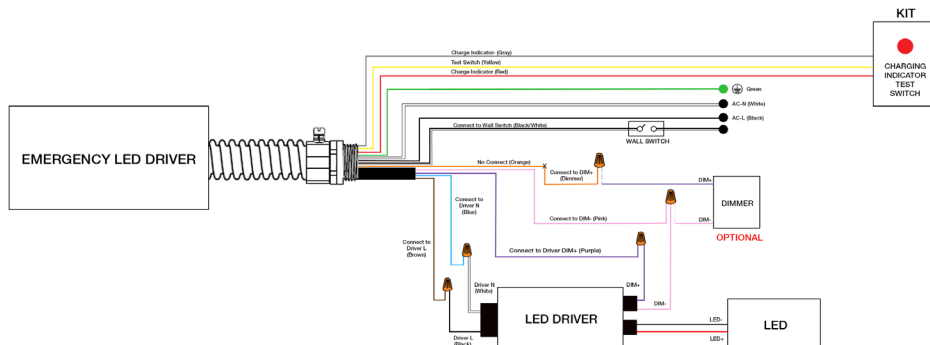
CONTROL-BLE-620



SENSOR-ANT-7
 SENSOR-BLE-7

EMB SPEC

| Model | Battery Capacity | Input | Output | Output Power | Operating Temp | Installation |
|------------|------------------|------------|--------|--------------|----------------------------|--------------------------------|
| EMB-H08170 | 90mins | 100-347VAC | 170VDC | 8W | 0°C ~ 50°C 32°F ~ 122°F | Factory or Field Install |
| EMB-H18170 | 90mins | 100-347VAC | 170VDC | 18W | 0°C ~ 50°C 32°F ~ 122°F | Factory or Field Install |



LPWA WET LOCATION SELECTABLE BACKLIT PANEL

CONTROL-LVFA SPEC

Status LEDs & Config Button

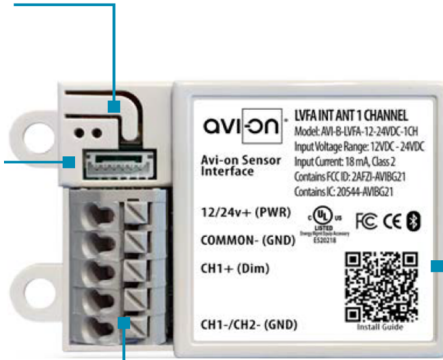
Quick and easy validation of wiring and network

Direct Connect™ Sensor Port

Simple and cost-effective addition to Avi-on sensors

Terminal Blocks & Mounting Tabs

Faster, easier and lower cost installation eliminating connectors



Internal Antenna

Improved performance and eliminates risk of accidentally cutting a hanging wire

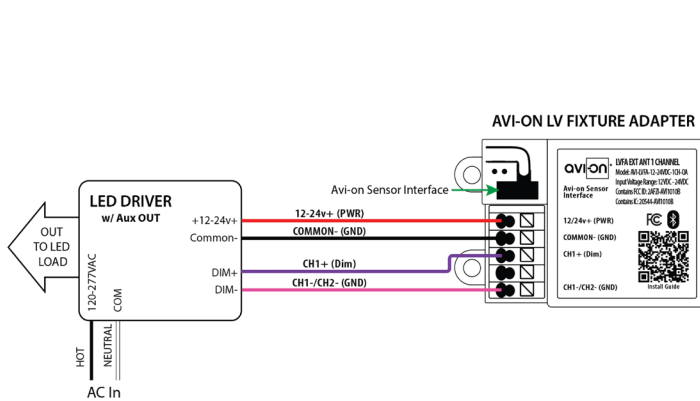
SPECIFICATIONS

INPUT VOLTAGE: 12-24VDC
CURRENT: 15mA without a Sensor
 19mA with a DC PIR Sensor
 48mA with a DC Microwave Sensor
0-10V DIMMING: 12-24VDC
SIZE: 2.30in x 1.43in x 0.75in
 (58.2mm x 36.4mm x 19mm)
MOUNTING: Removable mounting tabs
WEIGHT: 0.45 oz (16g)
OPERATING TEMP: -22°F to +158°F (-30°C to + 70°C)

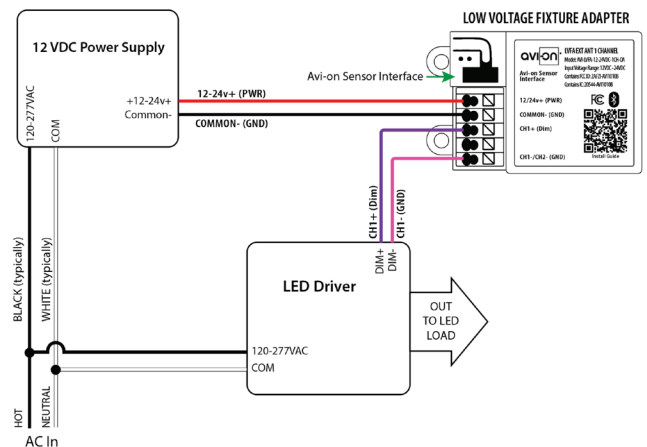
RADIO FREQUENCY: 2.4GHz
WIRELESS STANDARD: BLE 4.2 with Mesh
POINT TO POINT RANGE*: 80ft with obstructions
 350ft unobstructed
SECURITY: AES 128-bit encryption for device to device communication
 AES 256-bit encryption for device to cloud communication
WARRANTY: 5 years; 10 years optional
REGULATORY: FCC: 2AFZI-AVI1010 B
 IC: 20544-AVI1010 B
 BQB: D031801, DID: 86303
 UL 916, 2043 (Plenum Rated)

*When communicating through the mesh, range is essentially unlimited (5000ft+)

WIRING DIAGRAM



Fixture adapter powered by LED driver auxiliary output



Fixture adapter connected to LED driver and using power supply



CONTROL-BLE-620 BLUETOOTH CONTROLLER

Client:
Project:
Type:
Quantity:

FEATURE

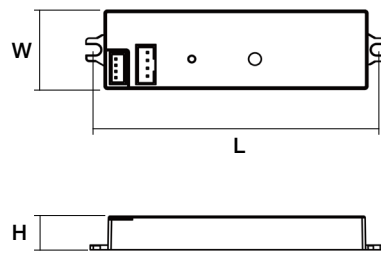
- **Installation:** Factory installed, 12V AUX power required
- **Commissioning:** Wirelessly through ALS Control Mobile App (iOS / Android)
- **Certification:** DLC 5.1 Networked Lighting Control System
- **Control:** Dimming, High-End Trim, Zoning, Continuous Bi-level Dimming
- **CCT Tuning:** CCT Tuning feature for Dual/Multi-CCT LED board fixture only
- **Sensor:** Plug-N-Play with ALS Control sensors
- **Zone Control:** Zoning and Grouping control, Scheduling



SPECIFICATIONS

| | |
|-----------------------------|--------------------------------|
| WIRELESS STANDARDS: | 5.0 Bluetooth Mesh |
| INPUT VOLTAGE: | 12-14VDC, >50mA |
| OUTPUT VOLTAGE: | LED Max. 150VDC Max. 2A |
| CONTROL OUTPUT: | 0-10V |
| OPERATING TEMP: | -40°F ~ +158°F (-40°C ~ +70°C) |
| COMMISSIONING RANGE: | 50FT |
| BLUETOOTH RANGE: | 100FT |
| WARRANTY: | 5 years |
| IP RATING: | IP20 |

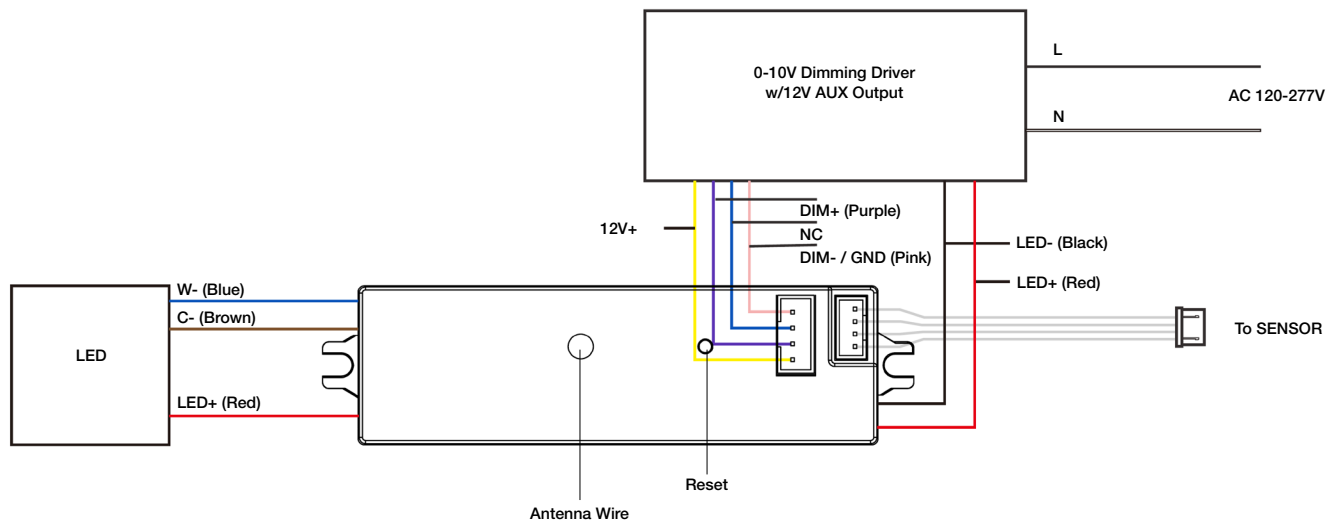
DIMENSIONS



| L | H | W |
|----------------|-----------------|-----------------|
| 3.5" (89mm) | 0.43" (11mm) | 1.00" (26mm) |

| Lead Wire | Antenna Wire |
|-------------------|-------------------|
| 10.60" (270mm) | 10.60" (270mm) |

WIRING DIAGRAM



FEATURE

- **Installation:** Factory Install - Integral to Fixture
- **Commissioning:** Wirelessly through ALS Control Mobile App (iOS / Android)
- **Certification:** DLC 5.1 Networked Lighting Control System
- **Control:** Hold time, High-Low setting, continuous Bi-level dimming, Code-compliant manual-on or auto-off capability
- **Sensor:** Motion (Occupancy/Vacancy/Manual)
- **Room and Zone Control:** Zoning and Grouping control, Scheduling

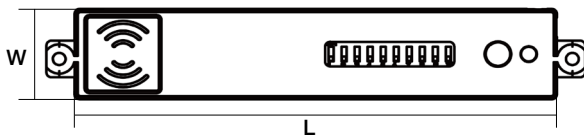


SPECIFICATIONS

SENSOR TYPE: Microwave
WIRELESS STANDARDS: Bluetooth SIG Mesh
INPUT VOLTAGE: 10-14VDC, >50mA
CONTROL OUTPUT: 0-10V
OPERATING TEMP: -40°F ~ +158°F (-40°C ~ +70°C)

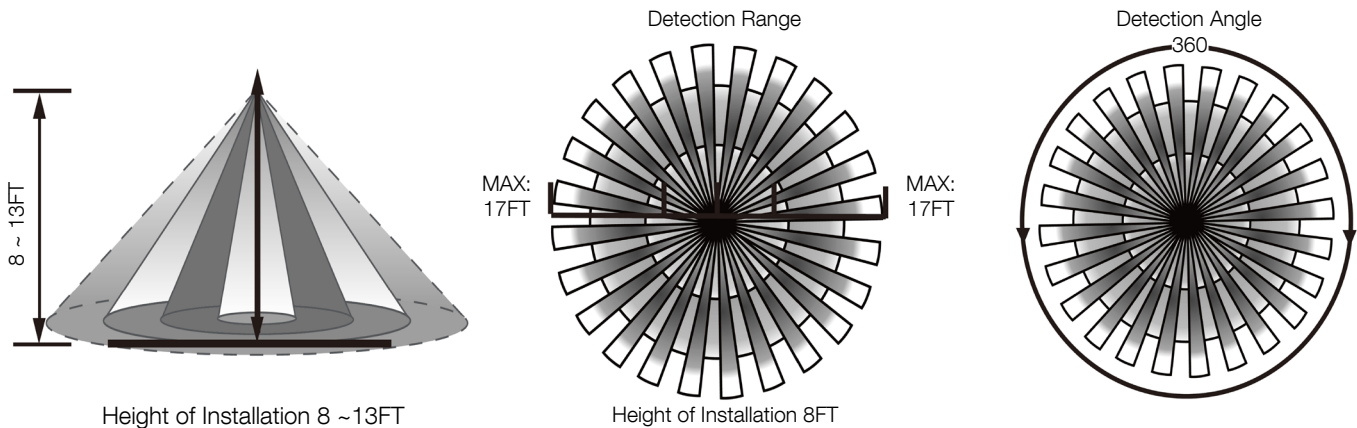
COMMISSIONING RANGE: 50FT
BLUETOOTH RANGE: Integral antenna up to 164FT
DETECTION ANGLE: 360°
MOUNTING HEIGHT: Up to 13FT
WARRANTY: 5 years
IP RATING: IP20

DIMENSIONS



| L | W |
|-----------------|-------------------|
| 3.70" (94mm) | 0.73" (18.5mm) |

COVERAGE PATTERNS



FEATURE

- **Installation:** Factory Install - Integral to Fixture
- **Commissioning:** through Remote Control
- **Control:** Hold time, High-Low setting, Continuous Bi-Level Dimming, Code-Compliant Manual-On or Auto-Off Capability
- **Sensor:** Motion (Occupancy/Vacancy/Manual)

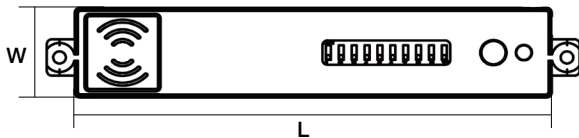


SPECIFICATIONS

SENSOR TYPE: Microwave
INPUT VOLTAGE: 12-24VDC, >50mA
LIGHT-CONTROL: 10 ~ 50LUX
CONTROL OUTPUT: 0-10V
OPERATING TEMP: -40°F ~ +158°F (-40°C ~ +70°C)

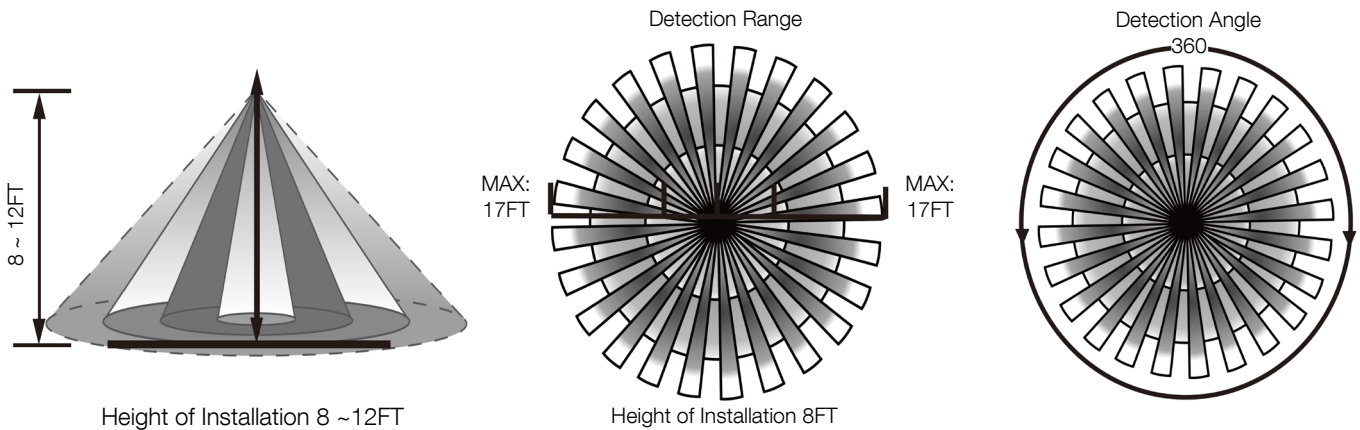
COMMISSIONING RANGE: 50FT from Remote Control
TIME SETTING: 10sec ~ 60min (adjustable)
DETECTION ANGLE: 360°
MOUNTING HEIGHT: Up to 12FT
WARRANTY: 5 years
IP RATING: IP20

DIMENSIONS



| L | W |
|-----------------|-------------------|
| 3.70" (94mm) | 0.73" (18.5mm) |

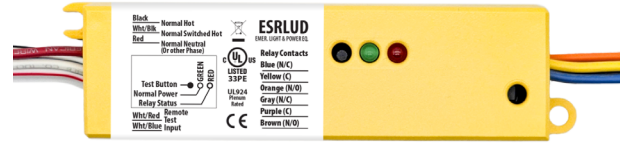
COVERAGE PATTERNS



CONSTRUCTION

Yellow metal casing. Integrates with dry contact systems to provide lighting during power outages. Features a slim enclosure, allowing for seamlessly integrating into existing building infrastructure.

Designed for commercial and industrial applications that require an emergency load to be switched on during a loss of normal power.



SPECIFICATIONS

| | |
|--------------------------------|-------------------------------------------------------------|
| COIL CURRENT: | Normal Power = 6mA MAX |
| COIL VOLTAGE INPUT: | 120-277V AC (50/60 Hz) |
| EXPECTED RELAY LIFE: | 10 Million Cycles Min Mechanical |
| RELAY CONTACT RATINGS: | 10 Amp Resistive @ 30 V DC 10 Amp General Use @ 277 V AC |
| OPERATING TEMP: | -30°F ~ +140°F (-34°C ~ +60°C) |
| OPERATE TIME: | 18ms |
| HUMIDITY RANGE: | 5-95% (Noncondensing) |
| LED: | Green = Normal Power Red = Relay Status |
| DIMENSIONS: | 1.40"H x 5.63"W x 1.00"D |
| WIRES: | 16", 600V Rated |
| OVERRIDE (TEST SWITCH): | No |
| APPROVALS: | UL924, C-UL, CE, ROHS |
| NOTES: | Device Draws no Current From Emergency Source |

TESTING

| | |
|-----------------------------------------|----------------------------------------------------------------------------------------------------------------------------------------------------------------------------------------------------|
| INITIAL TEST FOR CORRECT WIRING: | Apply Normal Power To Normal Power Input a. Green LED (Normal Power) should be ON b. Red LED (Relay Status) should be ON c. Load should be OFF d. Relay Contact (N/O) should be CLOSED |
| LOCAL TEST BUTTON: | 1. Turn Switched Circuit OFF. Load be OFF. 2. Press and Hold "Local Test Button" 3. Load should Turn ON 4. Release "Local Test Button" and Emergency Light should Turn OFF. |
| WALL SWITCH: | 1. Turn ON Wall Switch If not already ON 2. Load should Turn ON 3. Turn Wall Switch OFF 4. Load will Turn OFF |

TROUBLESHOOTING

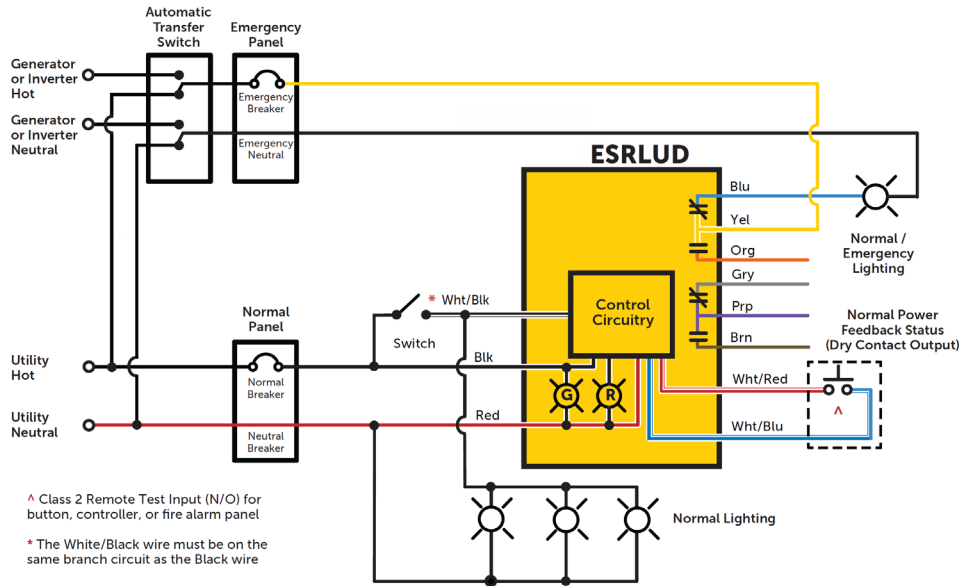
| CONDITION | ACTION |
|-----------------------------------------------------------------------|------------------------------------------------------------------------------------------------------------------------------------------------------------------------------------------------------------------|
| Green LED is OFF | <ul style="list-style-type: none"> Check Normal Power Input Wiring (Black and Red Wires) and Voltage. |
| Red LED is OFF but Load is OFF | <ul style="list-style-type: none"> Check Bulbs and Ballast. Check Load Wiring (Blue Wire and Load's Neutral). Replace Unit. (Assuming N/C Contact is Used). |
| Load is ON but Red LED is ON | <ul style="list-style-type: none"> Replace Unit. (Assuming N/C Contact is Used). |
| Red LED does not Turn OFF and Load does not Turn ON when being tested | <ul style="list-style-type: none"> Check Bulbs and Ballast. Check Wiring Connections if Using a Remote Test Option. Press Local Test Button on the Unit. Replace Unit. |
| Red LED will not Turn ON and Load will not Turn OFF | <ul style="list-style-type: none"> Verify Status of Normal Power Input. Open Wall Switch Input. Verify That No Test Inputs are Stuck Closed. |



GTD-ESRLUD Generator Transfer Device

WIRING DIAGRAM

USING EMERGENCY LIGHTING AS NORMAL LIGHTING



OVERRIDING A 0-10V DIMMER

