

CS SERIES WET LOCATION BAY LIGHT

Client:
Project:
Type:
Quantity:

CONSTRUCTION

Single piece die-cast aluminum housing, maximizes heat dissipation and life expectancy of the luminaire.

Suitable for interior/exterior, wet, high pressure washdown applications.

OPTICS

Standard clear polycarbonate lens protects LEDs against solid and liquid impact, symmetric LED board layout offers maximum uniformity illumination.

ELECTRICAL

70 CRI Lumileds LED.

-40°C up to 45°C (-40°F up to 113°F) maximum operating temperature.

Long-life 50,000 hr LED at L70.

Available with CCT / Output selectable function.

Universal Input 120-277V, 0-10V dimming, output 36V-42V, with 12V AUX output, 50/60Hz, <15% THD, 0.9 power factor, built-in 6KV surge protection.

Optional dimming sensor for occupancy and ambient light level detection.



w/Optional Plug-N-Play Sensor

SENSORS (OPTIONAL)

SENSOR-ANT-6-4T - Plug-N-Play PIR on/off/dimming/photosensing (40FT MH).

SENSOR-ANT-6-4T-H - Plug-N-Play PIR on/off/dimming/photosensing (50FT MH).

SENSOR-BLE-6-4T - Plug-N-Play PIR ALS Control Bluetooth/on/off/dimming (40FT MH).

SENSOR-BLE-6-4T-H - Plug-N-Play PIR ALS Control Bluetooth/on/off/dimming (50FT MH).

"-EM" - Compatible with Emergency Battery (Auto-bypass)

MOUNTING

Standard Snap Hook w/Safety Cable included.

Optional 3/4" Pipe Adapter to Pendant Mount Application.

Optional Yoke mount bracket.

Optional Twin-Arm mount.

STANDARD FINISH

Corrosion Resistant Semi-Gloss Black Finish.

CERTIFICATION

Wet location label standard.

Meets Buy America Act requirements. Available for BAA Compliant projects.

All luminaires are built to UL1598 standards and bear appropriate cULus labels.

For Emergency application, equipment with UL924 certified battery packs.

DLC® Premium (DesignLights Consortium Qualified)

WARRANTY

5 year warranty, see Limited Warranty for additional information.



CS SERIES WET LOCATION BAY LIGHT

ORDER INFORMATION **EXAMPLE : CSB 230 SC C BK UD**

Fixture	Series	Power & LM	Lens	Finish	Input
	CSB			BK	
Mounting				Accessories	
				Options	

A SERIES

CSB CS Series Wet Location Bay Light

B POWER & LM & CCT

Code	Power	LM	CCT
210MC	Field Selectable 84 / 126 / 168 / 210W	14,500 / 21,000 / 26,500 / 32,000LM	Field Selectable 4000 / 5000K
230SC	Field Selectable 92 / 138 / 184 / 230W	16,500 / 24,000 / 30,000 / 36,000LM	Field Selectable 3000 / 4000 / 5000K
23550	Field Selectable 94 / 141 / 188 / 235W	17,500 / 25,500 / 33,000 / 40,000LM	Static 5000K

C LENS

C	Clear Polycarbonated Lens
GL	Tempered Glass Lens
GLAL	Tempered Glass Lens w/Aisle Distribution

D FINISH

BK Black

E INPUT

UD	120-277V, 0-10V Dimmable w/6FT 3-Conductor Lead Wire - Wet Location
HD	w/Step Down Transformer Assembly 480V, 0-10V Dimmable w/6FT 3-Conductor Lead Wire - Damp Location

F MOUNTING

blank	Snap Hook Mount w/Safety Cable (standard)
MOUNT-CSB-PIPE	3/4" Pendant Adapter
MOUNT-CSB-YM	Yoke Mount
MOUNT-CSB-TWIN-ARM	Twin Arm Mount Kit w/Snap Hook or 3/4" Pipe Mount- Damp Location

G ACCESSORIES/OPTIONS

See Pg. 3

CS SERIES WET LOCATION BAY LIGHT

G ACCESSORIES/OPTIONS

BAA	Assembled in America, compliant with BAA (COTS)
SENSOR-ANT-6-4T*	Plug-N-Play PIR on/off/dimming/photosensing up to 40FT MH
SENSOR-ANT-6-4T-EM*	Plug-N-Play PIR on/off/dimming/photosensing for EMB application up to 40FT MH
SENSOR-ANT-6-4T-H*	Plug-N-Play PIR on/off/dimming/photosensing up to 50FT MH
SENSOR-ANT-6-4T-H-EM*	Plug-N-Play PIR on/off/dimming/photosensing for EMB application up to 50FT MH
SENSOR-BLE-6-4T*	Plug-N-Play Bluetooth on/off/dimming/Daylight Harvesting Sensor (ALS Control Mobile App)
SENSOR-BLE-6-4T-EM*	Plug-N-Play Bluetooth on/off/dimming/Daylight Harvesting Sensor (ALS Control Mobile App) for EMB application
SENSOR-BLE-6-4T-H*	Plug-N-Play Bluetooth on/off/dimming/Daylight Harvesting Sensor (ALS Control Mobile App) up to 50FT MH
SENSOR-BLE-6-4T-H-EM*	Plug-N-Play Bluetooth on/off/dimming/Daylight Harvesting Sensor (ALS Control Mobile App) for EMB application up to 50FT MH
REMOTE-RC100	Handheld Remote Commissioning Tool for SENSOR-ANT (1 per job)
EMB-40W**	90-Minute Wet Location Self-Diagnostic Emergency Battery 40W 100-347VAC Input 170VDC Output
EMB-H40170	90-Minute Damp Location Self-Diagnostic Emergency Battery 40W 100-347VAC Input 170VDC Output HD Kit Required
EMB-H40500	90-Minute Damp Location Self-Diagnostic Emergency Battery 40W 480VAC Input 500VDC Output for HD Input
-PLUG	6 Foot Cord and 3 Prong Plug
6FTD	6 Foot 0-10V Dimming Wire Extension Cord
TWIST-LOCK	Specify Plug Type: L515P / L715P / HBL5929 / L8-20P

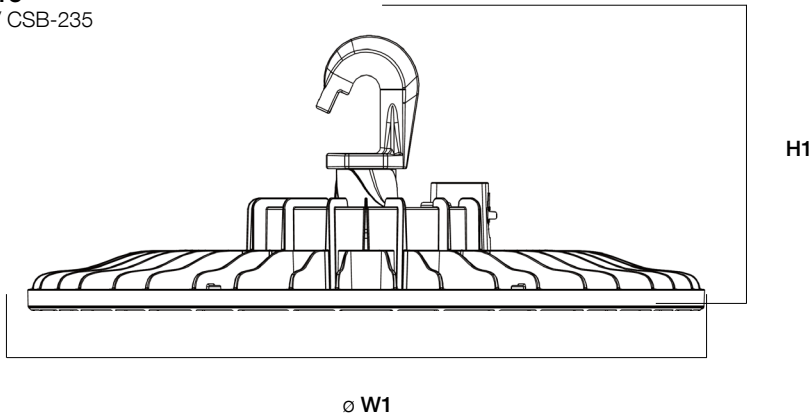
*see page 8 or sensor spec, **see page 6 for emb spec

CS SERIES WET LOCATION BAY LIGHT

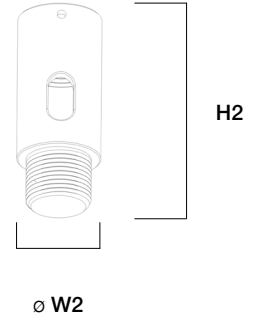
DIMENSIONS

Model	H1	H2	H3	W1	W2	W3
Luminaire CSB-210/-230/-235	7.53" (191mm)			ø 14.13" (359mm)		
Pipe Adapter MOUNT-CSB-PIPE		3.15" (80mm)			ø 1.01" (26mm)	
HD Kit			7.36" (187mm)			6.33" (161mm)

Luminaire
 CSB-230 / CSB-235



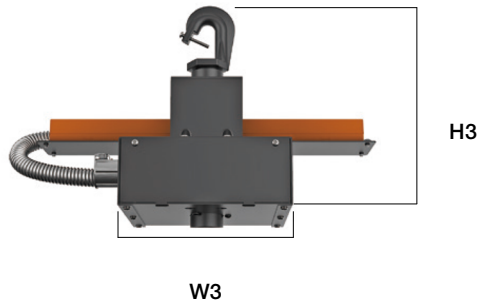
Pipe Adapter
 For 3/4" Pipe



HD Kit

Damp Location
 480V Input Stepdown
 Transformer Asselbely

Also Compatible with:
 EMB-H40170
 EMB-H40500

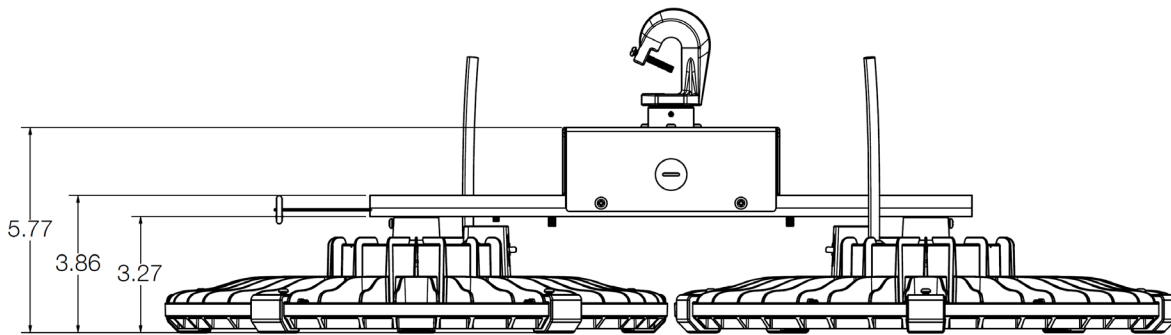
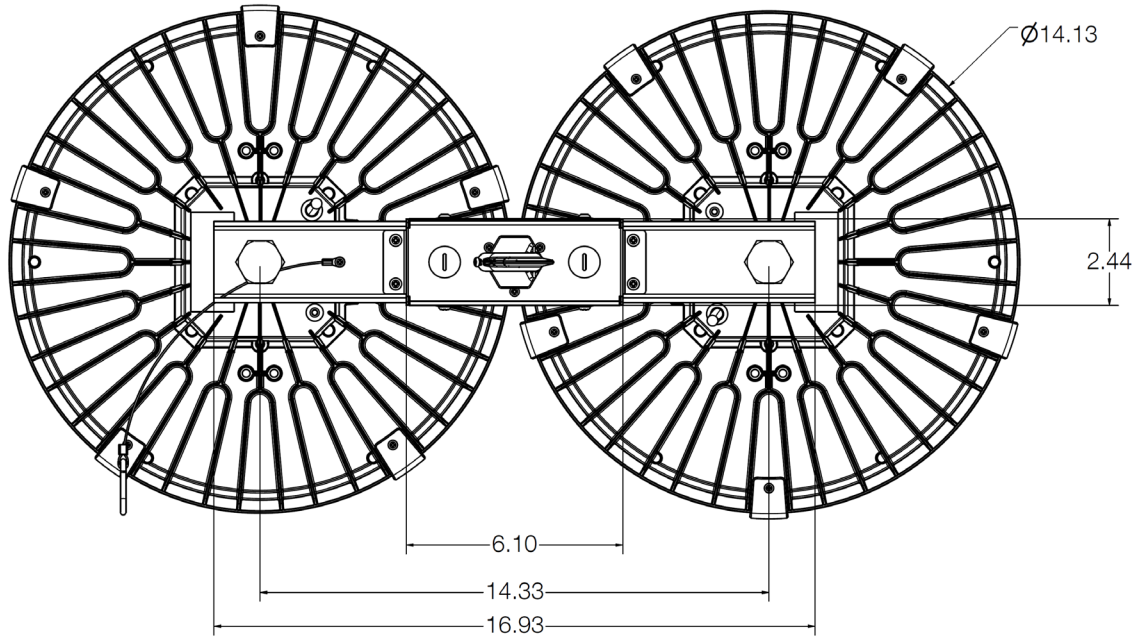


CS SERIES WET LOCATION BAY LIGHT

DIMENSIONS

MOUNT-TWIN-ARM - Twin-Arm Kit

Damp Location
Twin Fixture Mounting System



CS SERIES WET LOCATION BAY LIGHT

PHOTOMETRIC

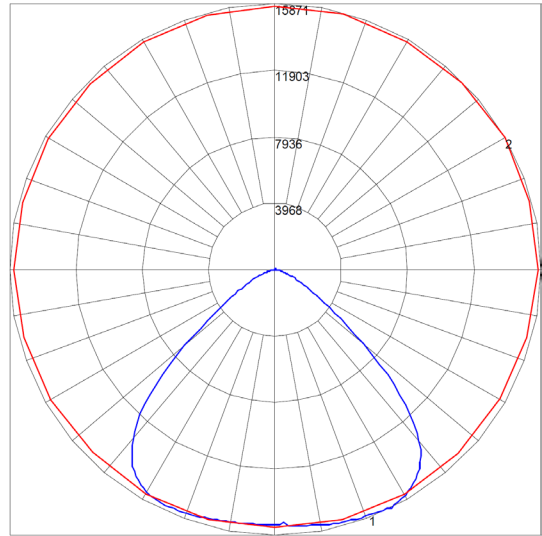
CSB-230SC

Zone	Lumen	Luminaire%
0-30	13073	36.10
0-40	22243	61.40
0-60	33989	93.90
0-90	36055	99.60
0-180	36208	100

Lumen: 36208
 Input Watts: 220.1 W
 Efficacy: 165 LPW

Maximum Candela = 15871.12 Located At Horizontal Angle = 30, Vertical Angle = 26
 # 1 - Vertical Plane Through Horizontal Angles (30-210) (Through Max. Cd.)
 # 2 - Horizontal Cone Through Vertical Angle (26) (Through Max. Cd.)

IES: CSB-230SC @ 230W 4000K



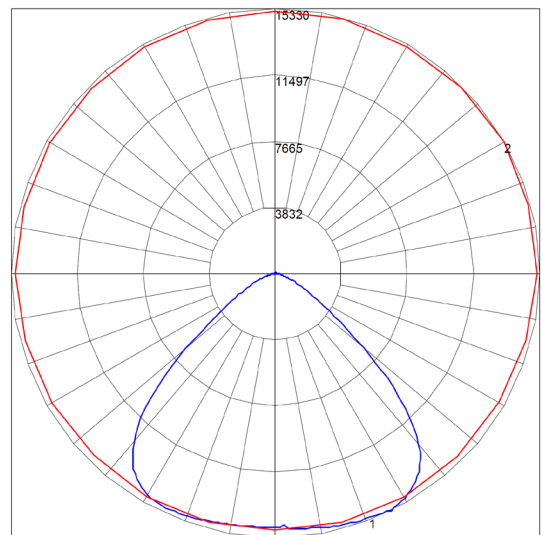
CSB-230SC

Zone	Lumen	Luminaire%
0-30	12614	36.10
0-40	21459	61.40
0-60	32819	93.80
0-90	34824	99.60
0-180	34972	100

Lumen: 34972
 Input Watts: 227.69 W
 Efficacy: 154 LPW

Maximum Candela = 15415.24 Located At Horizontal Angle = 0, Vertical Angle = 22
 # 1 - Vertical Plane Through Horizontal Angles (0-180) (Through Max. Cd.)
 # 2 - Horizontal Cone Through Vertical Angle (22) (Through Max. Cd.)

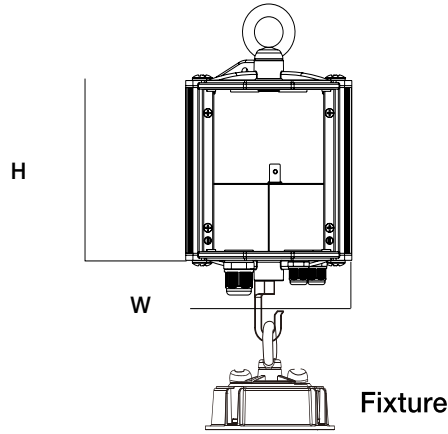
IES: CSB-230SC @ 230W 5000K



CS SERIES WET LOCATION BAY LIGHT

EMERGENCY BATTERY (WET LOCATION 120-277V INPUT)

Model	H	W
EMB-40W	6.80" (173mm)	ø 5.47" (139mm)

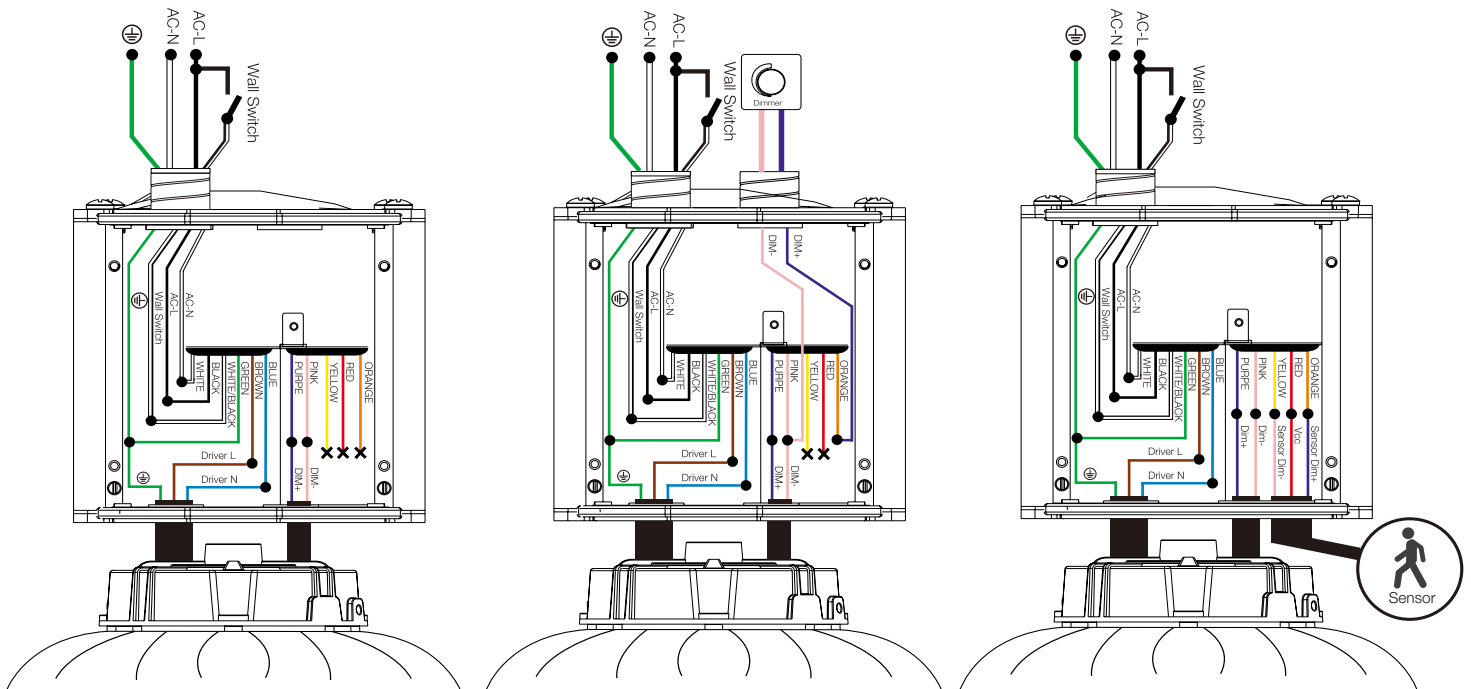


EMERGENCY BATTERY DIAGRAM

On/Off

**w/0-10V
 Dimmer**

**w/DC Sensor
 SENSOR-ANT-6-4T**



CS SERIES WET LOCATION BAY LIGHT

EMERGENCY BATTERY (DAMP LOCATION 120-277V / 480 INPUT)

MODEL	L	W	H
EMB-H40170			
EMB-H40500	12.33" (313mm)	2.33" (59mm)	1.82" (46mm)

ø 1/2"
(12.7mm)



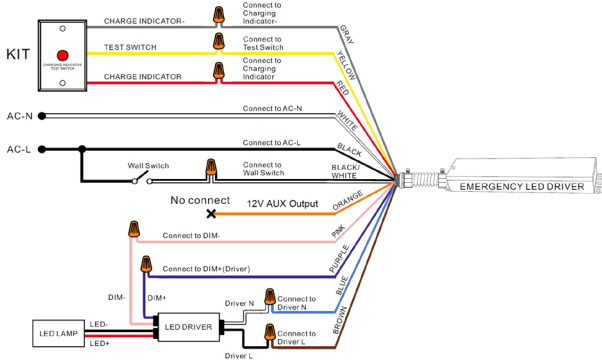
3.94"
(100mm)
Open Leads

13"
(330mm)
Flex Conduit

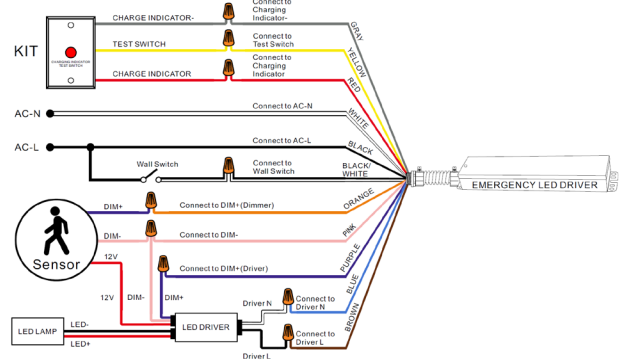


EMERGENCY BATTERY DIAGRAM

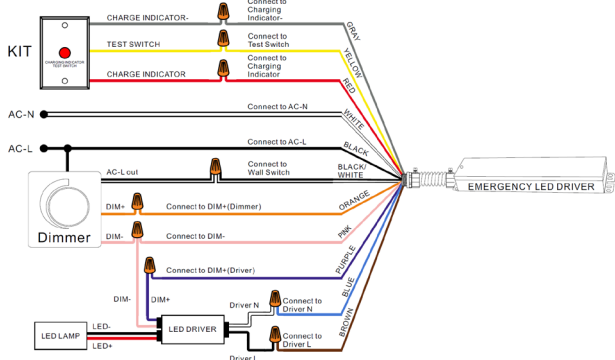
No Sensor/Dimmer



w/DC Sensor



w/Dimmer



CS SERIES WET LOCATION BAY LIGHT

PERFORMANCE DATA / DLC CODE

SYSTEM WATTS	CCT	VOLTAGE	LUMEN	LPW	PART NUMBER	DLC PRODUCT ID / ORDER CODE	DLC CLASS
CSB-230 92W Selection	3000K	120-277V	15500	168	CSB-230SC-CBKUD	S-44T3KJ	Premium
	4000K	120-277V	16500	179		S-44T3KJ	Premium
	5000K	120-277V	16000	174		S-44T3KJ	Premium
CSB-230 138W Selection	3000K	120-277V	22000	159		S-44T3KJ	Premium
	4000K	120-277V	24000	174		S-44T3KJ	Premium
	5000K	120-277V	23000	167		S-44T3KJ	Premium
CSB-230 184W Selection	3000K	120-277V	28000	152		S-44T3KJ	Premium
	4000K	120-277V	30000	163		S-44T3KJ	Premium
	5000K	120-277V	29000	158		S-44T3KJ	Premium
CSB-230 230W Selection	3000K	120-277V	34000	148		S-44T3KJ	Premium
	4000K	120-277V	36000	157		S-44T3KJ	Premium
	5000K	120-277V	35000	152		S-44T3KJ	Premium
CSB-23550 235W	5000K	120-277V	40000	171	CSB-23550-CBKUD	S-3V7PGW	Premium

CS SERIES WET LOCATION BAY LIGHT

SENSOR SPEC

Model	Type	Mounting	Coverage	Input	Function	Programmable
SENSOR-ANT-6-4T SENSOR-ANT-6-4T-EM	PIR	up to 40FT	30FT radius	12V DC	On/Off/Dimming	REMOTE-RC100
SENSOR-BLE-6-4T SENSOR-BLE-6-4T-EM (see page 8 for detail)	PIR	up to 40FT	30FT radius	12V DC	Bluetooth Mesh On/Off/Dimming Daylight Harvesting	ALS Control Bluetooth Mobile App
SENSOR-ANT-6-4T-H* SENSOR-ANT-6-4T-H-EM	PIR	up to 50FT	30FT radius	12V DC	On/Off/Dimming	REMOTE-RC100
SENSOR-BLE-6-4T-H* SENSOR-BLE-6-4T-H-EM	PIR	up to 50FT	30FT radius	12V DC	Bluetooth Mesh On/Off/Dimming Daylight Harvesting	ALS Control Bluetooth Mobile App



SENSOR-ANT-6-4T
 SENSOR-ANT-6-4T-EM
 SENSOR-BLE-6-4T
 SENSOR-BLE-6-4T-EM
 SENSOR-BLE-6-4T-H
 SENSOR-BLE-6-4T-EM-H



SENSOR-BLE-6-4T BLUETOOTH PIR SENSOR

Client:
Project:
Type:
Quantity:

FEATURE

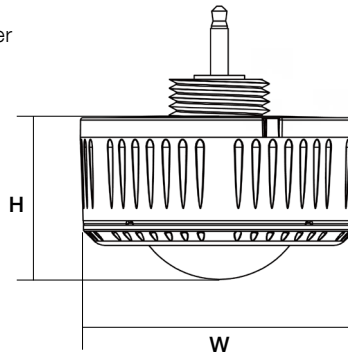
- **Installation:** Plug-N-Play via AUX socket on attached fixture
- **Commissioning:** Wirelessly through ALS Control Mobile App (iOS / Android)
- **Certification:** DLC 5.1 Networked Lighting Control System
- **Control:** Hold time, High-Low setting, continuous Bi-level dimming, Code-compliant manual-on or auto-off capability
- **Sensor:** Motion (Occupancy/Vacancy/Manual) and Daylight Harvesting
- **Room and Zone Control:** Zoning and Grouping control, Scheduling



SPECIFICATIONS

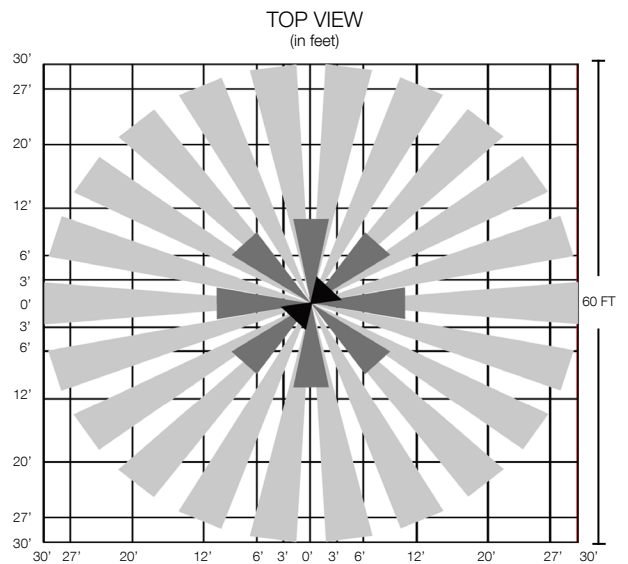
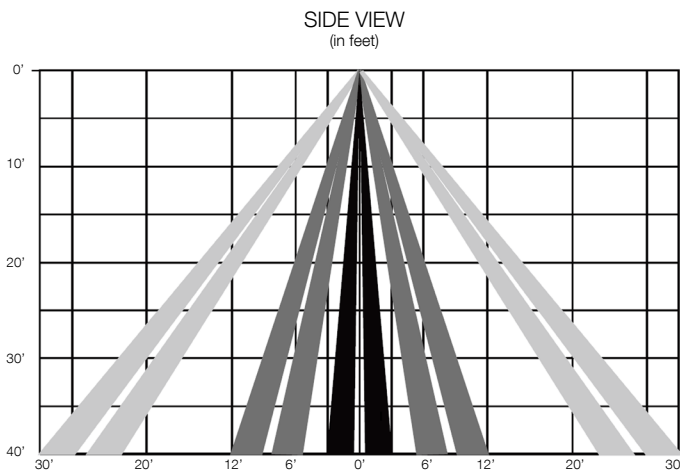
SENSOR TYPE:	Passive Infrared Sensor (PIR)
WIRELESS STANDARDS:	5.0 Bluetooth Mesh
STANDARD OPTION:	SENSOR-BLE-6-4T
EMB OPTION:	SENSOR-BLE-6-4T-EM (Designed for fixtures with emergency kit. When the voltage power is off, the sensor will stop working.)
INPUT VOLTAGE:	12-24VDC, >50mA
CONTROL OUTPUT:	0-10V
OPERATING TEMP:	-4°F ~ +140°F (-20°C ~ +60°C)
COMMISSIONING RANGE:	50FT
BLUETOOTH RANGE:	164FT
DETECTION ANGLE:	360°
MOUNTING HEIGHT:	Up to 40FT
WARRANTY:	5 years
IP RATING:	IP65
FACTORY DEFAULT SETTINGS:	100% Brightness for 5 min Dim Down to 30% Hold for 10 min Turn Off

DIMENSIONS



H	W
1.03" (26.2mm)	2.17" (55mm)

COVERAGE PATTERNS



ORDER CODES

- SENSOR-BLE-6-4T** "Plug-N-Play" Integral Bluetooth Daylight Harvesting Sensor (ALS Control Mobile App) up to 40FT MH.
- SENSOR-BLE-6-4T-EM** "Plug-N-Play" Integral Bluetooth Daylight Harvesting Sensor (ALS Control Mobile App) up to 40FT MH w/ EMB.
- SENSOR-BLE-6-4T-H** "Plug-N-Play" Integral Bluetooth Daylight Harvesting Sensor (ALS Control Mobile App) up to 50FT MH.
- SENSOR-BLE-6-4T-H-EM** "Plug-N-Play" Integral Bluetooth Daylight Harvesting Sensor (ALS Control Mobile App) up to 50FT MH w/ EMB.



FEATURE

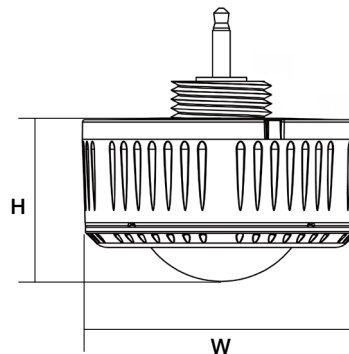
- **Installation:** Plug-N-Play via AUX Socket on Attached Fixture
- **Commissioning:** through Remote Control
- **Control:** Hold time, High-Low setting, Continuous Bi-Level Dimming, Code-Compliant Manual-On or Auto-Off Capability
- **Sensor:** Motion (Occupancy/Vacancy/Manual) and Daylight



SPECIFICATIONS

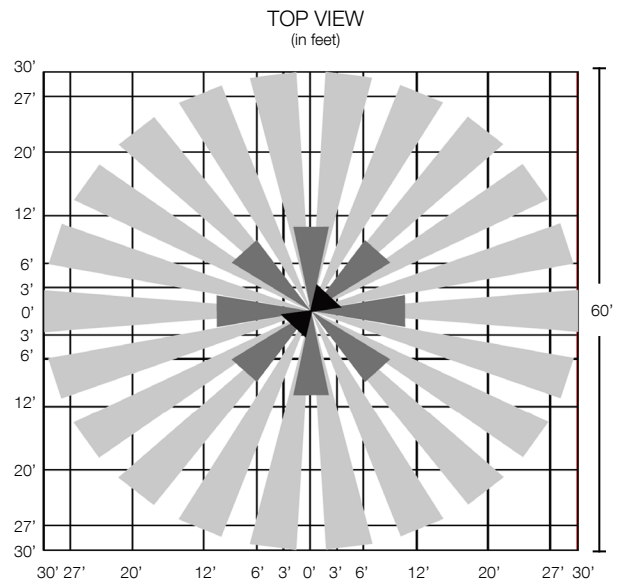
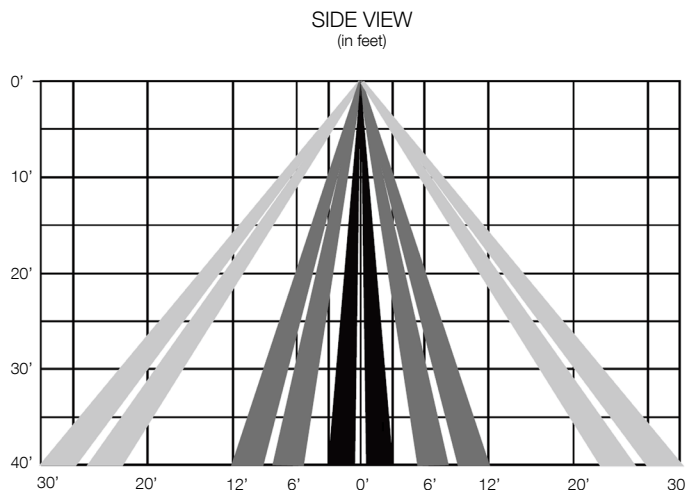
SENSOR TYPE:	Passive Infrared Sensor (PIR)
STANDARD OPTION:	SENSOR-ANT-6-4T
EMB OPTION:	SENSOR-ANT-6-4T-EM (Designed for fixtures with emergency kit. When the voltage power is off, the sensor will stop working.)
INPUT VOLTAGE:	12-24VDC, >30mA
LIGHT CONTROL:	10 ~ 50LUX
CONTROL OUTPUT:	0-10V
OPERATING TEMP:	-4°F ~ +140°F (-20°C ~ +60°C)
COMMISSIONING RANGE:	50FT from Remote Control
TIME SETTING:	10sec ~ 60min (adjustable)
DETECTION ANGLE:	360°
MOUNTING HEIGHT:	Up to 50FT.
WARRANTY:	5 years
IP RATING:	IP65

DIMENSIONS



H	W
1.03" (26.2mm)	2.17" (55mm)

COVERAGE PATTERNS



ORDER CODES

SENSOR-ANT-6-4T	Plug-N-Play PIR on/off/dimming/photosensing up to 40FT MH
SENSOR-ANT-6-4T-EM	Plug-N-Play PIR on/off/dimming/photosensing for EMB application up to 40FT MH
SENSOR-ANT-6-4T-H	Plug-N-Play PIR on/off/dimming/photosensing up to 50FT MH
SENSOR-ANT-6-4T-H-EM	Plug-N-Play PIR on/off/dimming/photosensing for EMB application up to 50FT MH



FEATURE

The Remote control wireless IR configuration tool is a handheld tool for remote configuration of IR-enabled fixture integrated sensors. The tool enables device to modify via push button and stores up to four sensor parameter modes to speed configuration of multiple sensors.

	PROGRAMMABLE	RESET
COMPATIBLE SENSORS	SENSOR-ANT-6-4T SENSOR-ANT-6-4T-EM SENSOR-ANT-6-4T-H SENSOR-ANT-6-4T-H-EM SENSOR-ANT-7 SENSOR-ANT-3C-B1 SENSOR-819-D1/D2 SENSOR-823 SENSOR-820	SENSOR-BLE-6-4T SENSOR-BLE-7 SENSOR-BLE-7D SENSOR-BLE-819 SENSOR-BLE-619 CONTROL-BLE-5-4T WALLSWITCH-BLE-101 WALLSWITCH-BLE-204



Dimension

L - 4.84" (123mm)
W - 2.76" (70mm)
H - .80" (20.3mm) Thickness

SPECIFICATION

Carrying Case

RC-100 in Carrying Case

Commissioning Range

Up to 50FT (15mm)

Operating Temp

32F ~ 122F (0°C ~ 50°C)

Power

2 x AAA 1.5V Alkaline batteries

BRIGHTNESS

Set output level (in 70%, 80%, 90%, or 100%) of connected lighting during occupancy.

SENSITIVITY

Set the sensitivity (in 20%, 50%, 75%, or 100%) of the occupancy sensor.

HOLD TIME

Set the time (in 10s, 1m, 5m, 10m, 16m, 20m, 30m, or 60m) that the fixture will hold at normal output after the space is vacant.

DAYLIGHT SENSOR

Set the threshold of natural light (in 10, 30, or 50) as setpoint to light on automatically for the sensor. If natural light is above the selected threshold, fixture will shut off. Set daylight (in 100, 300, 500) as setpoint to light off.

STAND-BY DIM/TIME

DIM: Set the output level (in 0%, 10%, 30%, or 50%) of the fixture during vacancy. This will only take place after Hold Time has elapsed.

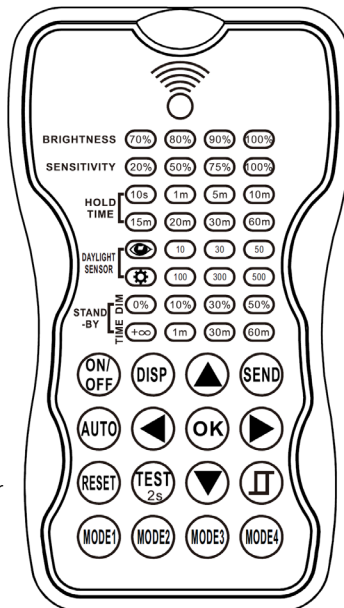
TIME: Set the time (+∞, 1m, 30m, or 50m) that the sensor will remain in stand-by mode before powering down.

ON/OFF

Use this to manually power a fixture on or off.

AUTO

Press Auto to engage/unlock a sensor. Press Auto, then press Display to show the sensors current setting parameters.



DISPLAY

Press to Display to view current setting parameters for each function. LED indicators will highlight current settings.

DIRECTIONAL ARROWS

Use the arrows to navigate the setting options by pressing up/down or left/right.

SEND

Press Send to upload displayed settings to individual sensor/fixture. The fixture will blink on and off to confirm new settings.

SMART DAYLIGHT SENSOR

Open and or close smart daylight sensor. Press up/down arrows buttons to enter setting condition, the parameters LEDs of remote control will flash to be selected.

TEST

Used to test sensitivity of occupancy sensing. Press Test, then the fixture will enter Test Mode, where Hold Time is only 2s. While Test Mode is active, Stand-By and Daylight sensing will be disabled. Press Auto to exit Test Mode.

RESET

Press Reset to put all parameters back to default settings.

MODE

Press the Mode # that you want to save. Use Directional Arrows to select new parameters. Press OK to confirm.