

## CONTRACTOR SERIES WALL PACK

Client:  
Project:  
Type:  
Quantity:

### CONSTRUCTION

Cast aluminum frame holds lens and seals to housing gasket with two stainless steel screws. Housing is completely sealed against moisture and environmental contaminants. Heat dissipating fins provide superior thermal performance extending the life of the luminaire.

### OPTICS

Full glass front lens provides uniform distribution and glare control. CCT selectable between 3000K ~ 5000K (80 CRI) configuration settings.

### ELECTRICAL

80+ CRI Lumileds LED.

-40°C up to 40°C (-40°F up to 104°F) maximum operating temperature.

50,000hr LED at L70 @ 25°C.

Available with CCT / Output Selectable Function.

CSW-40 model output selectable 16W / 27W / 32W / 40W.

CSW-60 model output selectable 25W / 40W / 50W / 60W.

CSW-90 model output selectable 30W / 50W / 70W / 90W.

CSW-120 model output selectable 50W / 80W / 100W / 120W.

Universal Input 120-277V, 0-10V dimming with 12V AUX output.

50/60Hz, <20% THD, 0.9 power factor.

Built-In Photocontrol as standard.

Optional 10kV Surge Protection.



### MOUNTING

Wall mount over electrical box or via surface conduit.

### SENSORS (OPTIONAL)

CONTROL-BLE-SK104-PH ALS Control Bluetooth Fixture Controller.

CONTROL-LVFA AVI-ON Bluetooth Mesh Controller.

### STANDARD FINISH

Corrosion resistant Dark Bronze powder coating finish.

### CERTIFICATION

Wet Location listed.

All luminaires are built to UL1598 standards and bear appropriate cULus labels.

For Emergency application, equipped with UL924 certified battery packs.

DLC® Premium (DesignLights Consortium Qualified) listed.

### WARRANTY

5 year warranty, see Limited Warranty for additional information.



**CONTRACTOR SERIES WALL PACK**

ORDER INFORMATION					EXAMPLE: CSW 90 SC DB UD-P
Fixture	Series	Power & LM	CCT	Finish	Input
	<b>CSW</b>		<b>SC</b>	<b>DB</b>	<b>UD-P</b>
Accessories					
Options					

<b>A</b>	<b>SERIES</b>	
	CSW	Contractor Series - Wall Pack

<b>B</b>	<b>POWER &amp; LM</b>	
	Code	Power
	40	Field Selectable 16W / 27W / 32W / 40W
	60	Field Selectable 25W / 40W / 50W / 60W
	90	Field Selectable 30W / 50W / 70W / 90W
	120	Field Selectable 50W / 80W / 100W / 120W
		LM
		2,400lm ~ 5,800lm
		4,000lm ~ 8,500lm
		4,800lm ~ 12,500lm
		8,000lm ~ 16,500lm

<b>C</b>	<b>CCT</b>	
	SC	Field Selectable CCT 3000K / 4000K / 5000K

<b>D</b>	<b>FINISH</b>	
	DB	Dark Bronze

<b>E</b>	<b>INPUT</b>	
	UD-P	120-277V, 0-10 Dimming with Built-in Photocell

<b>F</b>	<b>ACCESSORIES/OPTIONS</b>	
	BAA	Assembled in America, compliant with BAA (COTS)
	SURGE-LSP4-U	10kV Inline Surge Protection for Universal Input / <b>U:</b> 120-277V
	EMB-5W-MST*	5W External Emergency Battery (for CSW-40)
	EMB-8W-B*	90-Minute Self-Diagnostic Emergency Battery 8W 100-347VAC Input 170VDC Output (for CSW-60/-90/-120)
	EMB-18W-B*	90-Minute Self-Diagnostic Emergency Battery 18W 100-347VAC Input 170VDC Output (for CSW-60/-90/-120)
	EMB-18W-C-B*	90-Minute Self-Diagnostic Emergency Battery 18W 100-347VAC Input 170VDC Output -20°C-50°C (-4°F-122°F) (for CSW-60/-90/-120)
	CONTROL-BLE-SK104-PH*	Integral Bluetooth Fixture Controller w/Button Photocell (ALS Control Mobile App)
	CONTROL-LVFA*	Integral AVI-ON Bluetooth Fixture Controller

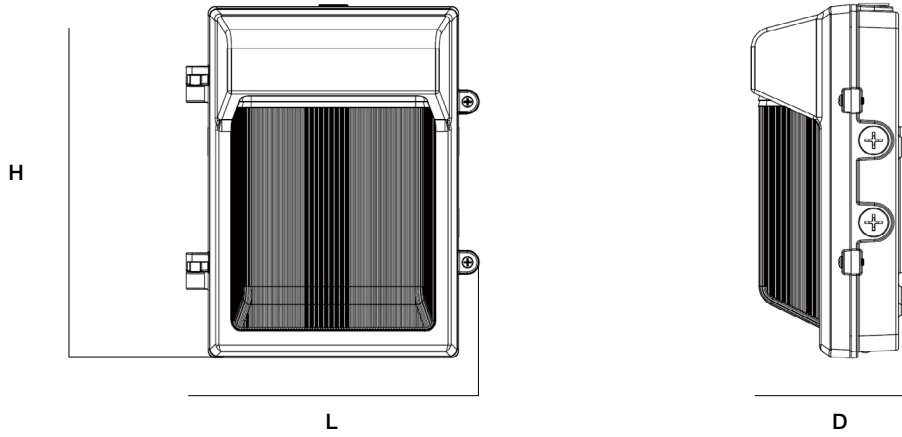
\*see pages 5-6 for sensor and emb spec

**CONTRACTOR SERIES WALL PACK**

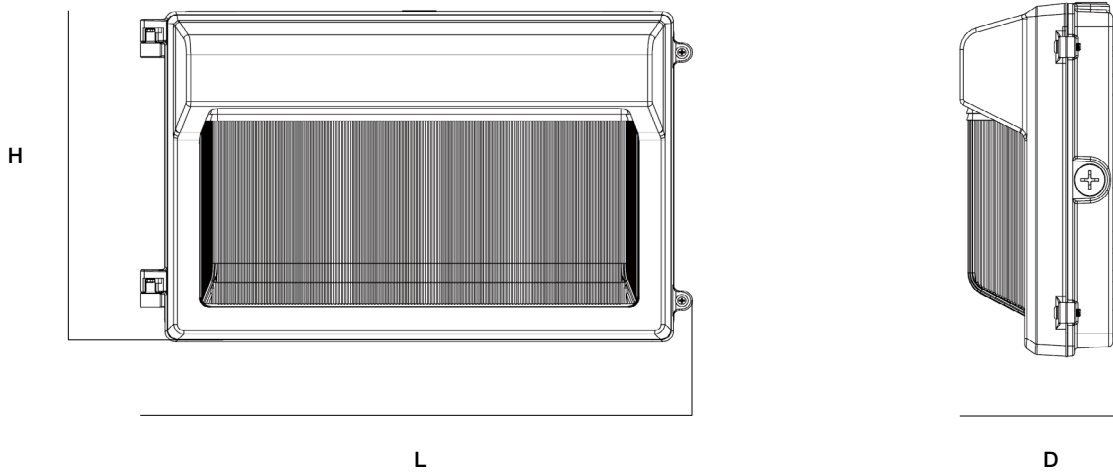
**DIMENSIONS**

Model	H	L	D
CSW-40	10.5" (267mm)	8.78" (223mm)	4.5" (114mm)
CSW-60	9.25" (235mm)	14.20" (361mm)	4.43" (112mm)
CSW-90	9.25" (235mm)	14.20" (361mm)	4.43" (112mm)
CSW-120	9.75" (248mm)	17.99" (457mm)	4.5" (114mm)

CSW-40



CSW-60/-90/-120



## CONTRACTOR SERIES WALL PACK

### PERFORMANCE DATA

SYSTEM WATTS	VOLTAGE	3000K		4000K		5000K	
		LUMENS	LPW	LUMENS	LPW	LUMENS	LPW
CSW-40 (16W)	120-277V	2,400	150	2,600	163	2,500	156
CSW-40 (27W)	120-277V	3,900	144	4,200	156	4,000	148
CSW-40 (32W)	120-277V	4,500	141	4,800	150	4,600	144
CSW-40 (40W)	120-277V	5,400	135	5,800	145	5,500	138
CSW-60 (25W)	120-277V	4,000	160	4,300	172	4,200	168
CSW-60 (40W)	120-277V	6,000	150	6,400	160	6,200	155
CSW-60 (50W)	120-277V	7,000	140	7,500	150	7,200	144
CSW-60 (60W)	120-277V	8,000	133	8,500	142	8,200	137
CSW-90 (30W)	120-277V	4,800	160	5,000	165	4,900	162
CSW-90 (50W)	120-277V	7,500	150	7,800	155	7,600	152
CSW-90 (70W)	120-277V	9,800	140	10,200	145	9,900	142
CSW-90 (90W)	120-277V	12,000	133	12,500	139	12,200	136
CSW-120 (50W)	120-277V	8,000	160	8,500	170	8,200	164
CSW-120 (80W)	120-277V	12,000	150	12,500	156	12,200	153
CSW-120 (100W)	120-277V	14,000	140	14,500	145	14,200	142
CSW-120 (120W)	120-277V	16,000	133	16,500	138	16,200	135

### PERFORMANCE DATA / DLC CODE

SYSTEM WATTS	CCT	VOLTAGE	LUMEN	LPW	QTY ON PALLET	PART NUMBER	DLC PRODUCT ID / ORDER CODE	DLC CLASS
CSW-40 40W Selection	3000K ~ 5000K	120-277V	5,800	145	96	CSW-40SC-DBUD-P	ALS: CSW-40SC-DBUD-P Product ID: S-VMTMZQ	DLC 5.1 Premium
CSW-60 60W Selection	3000K ~ 5000K	120-277V	8,500	142	96	CSW-60SC-DBUD-P	ALS: CSW-60SC-DBUD-P Product ID: S-Q1XWPJ	DLC 5.1 Premium
CSW-90 90W Selection	3000K ~ 5000K	120-277V	12,500	139	96	CSW-90SC-DBUD-P	ALS: CSW-90SC-DBUD-P Product ID: S-ZJMWV	DLC 5.1 Premium
CSW-120 120W Selection	3000K ~ 5000K	120-277V	16,500	138	96	CSW-120SC-DBUD-P	ALS: CSW-120SC-DBUD-P Product ID: S-ZZ6ZW4	DLC 5.1 Premium

**CONTRACTOR SERIES WALL PACK**

**SENSOR SPEC**

Model	Type	Mounting	Coverage	Input	Function	Programmable
CONTROL-BLE-SK104-PH	Fixture Controller	-	-	12V DC	Bluetooth Mesh On/Off/Dimming Scheduling CCT Tuning	ALS Control Bluetooth Mobile App
CONTROL-LVFA	Fixture Controller	-	-	12V DC	Bluetooth Mesh On/Off/Dimming Scheduling	AVI-ON Bluetooth Mobile App



CONTROL-BLE  
-SK104-PH



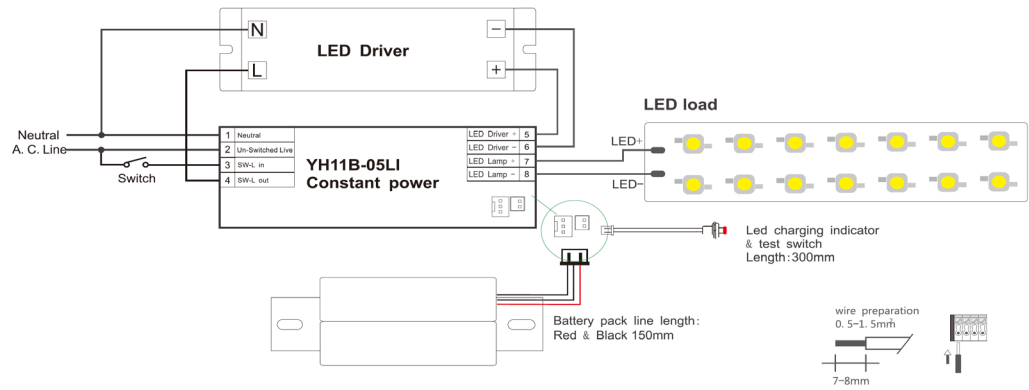
CONTROL-AVI-LVFA

**CONTRACTOR SERIES WALL PACK**

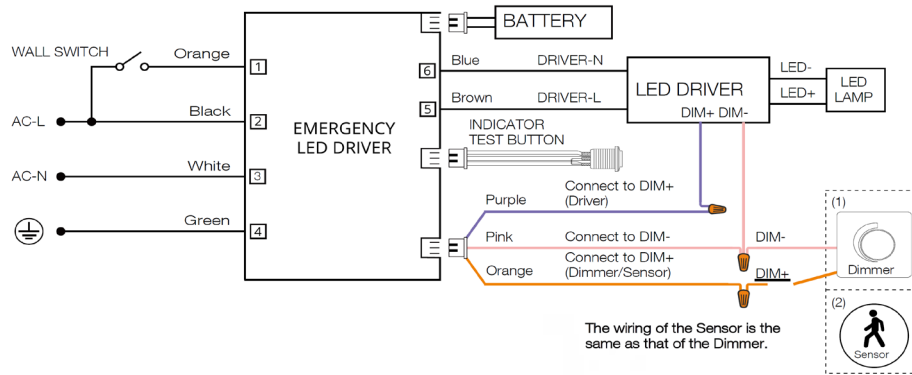
**EMB SPEC**

Model	Battery Capacity	Input	Output	Output Power	Operating Temp	Installation
EMB-5W-MST (for CSW-40 only)	90mins	100-277VAC	52VDC	5W	0°C ~ 70°C 32°F ~ 158°F	Factory
EMB-8W-B	90mins	100-347VAC	170VDC	8W	0°C ~ 50°C 32°F ~ 122°F	Factory or Field Install
EMB-18W-B	90mins	100-347VAC	170VDC	18W	0°C ~ 50°C 32°F ~ 122°F	Factory or Field Install
EMB-18W-C-B	90mins	100-347VAC	170VDC	18W	-20°C ~ 50°C -4°F ~ 122°F	Factory or Field Install

**EMB-5W-MST**



**EMB-8W-B  
 EMB-18W-B  
 EMB-18W-B-C**



**FEATURE**

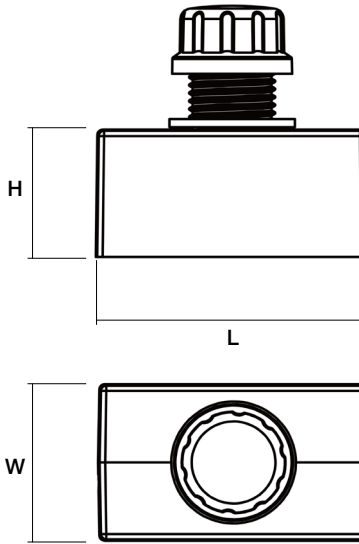
- **Installation:** Factory / Jobsite install through 1/2" knockout hole, 12V AUX power required
- **Commissioning:** Wirelessly through ALS Control Mobile App (iOS / Android)
- **Certification:** DLC 5.1 Networked Lighting Control System
- **Control:** High-End Trim, Zoning, Continuous Bi-level Dimming
- **CCT Tuning:** CCT Tuning feature for Dual/Multi-CCT LED board fixture only
- **Sensor:** Photocell
- **Zone Control:** Zoning and Grouping control, Scheduling



**SPECIFICATIONS**

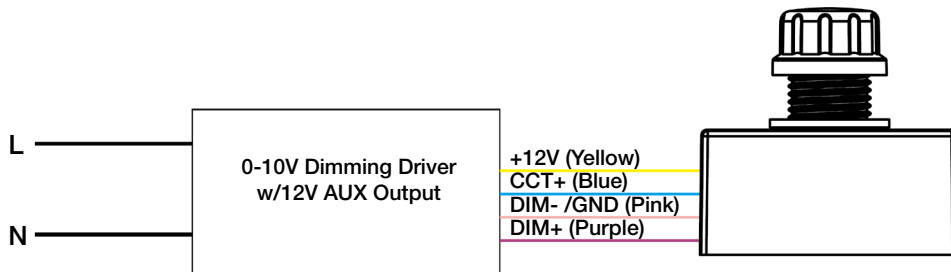
<b>SENSOR TYPE:</b>	Photocell
<b>WIRELESS STANDARDS:</b>	5.0 Bluetooth Mesh
<b>INPUT VOLTAGE:</b>	12-14VDC, >50mA
<b>CONTROL OUTPUT:</b>	0-10V
<b>OPERATING TEMP:</b>	-40°F ~ +158°F (-40°C ~ +70°C)
<b>COMMISSIONING RANGE:</b>	50FT
<b>BLUETOOTH RANGE:</b>	100FT
<b>DETECTION ANGLE:</b>	360°
<b>WARRANTY:</b>	5 years
<b>IP RATING:</b>	IP65

**DIMENSIONS**



L	H	W
1.14" (29mm)	0.94" (24mm)	1.97" (50mm)

**WIRING DIAGRAM**



**CONTRACTOR SERIES WALL PACK**

**CONTROL-LVFA SPEC**

**Status LEDs & Config Button**

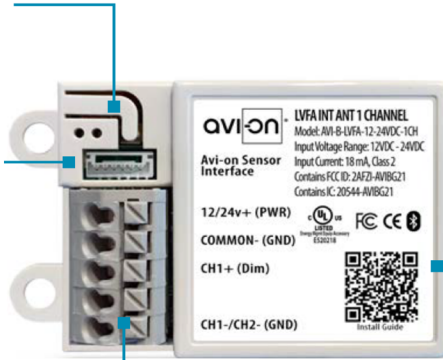
Quick and easy validation of wiring and network

**Direct Connect™ Sensor Port**

Simple and cost-effective addition to Avi-on sensors

**Terminal Blocks & Mounting Tabs**

Faster, easier and lower cost installation eliminating connectors



**Internal Antenna**

Improved performance and eliminates risk of accidentally cutting a hanging wire

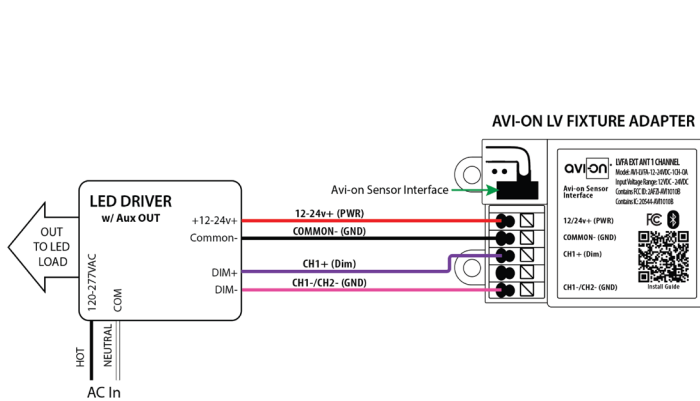
**SPECIFICATIONS**

**INPUT VOLTAGE:** 12-24VDC  
**CURRENT:** 15mA without a Sensor  
 19mA with a DC PIR Sensor  
 48mA with a DC Microwave Sensor  
**0-10V DIMMING:** 12-24VDC  
**SIZE:** 2.30in x 1.43in x 0.75in  
 (58.2mm x 36.4mm x 19mm)  
**MOUNTING:** Removable mounting tabs  
**WEIGHT:** 0.45 oz (16g)  
**OPERATING TEMP:** -22°F to +158°F (-30°C to + 70°C)

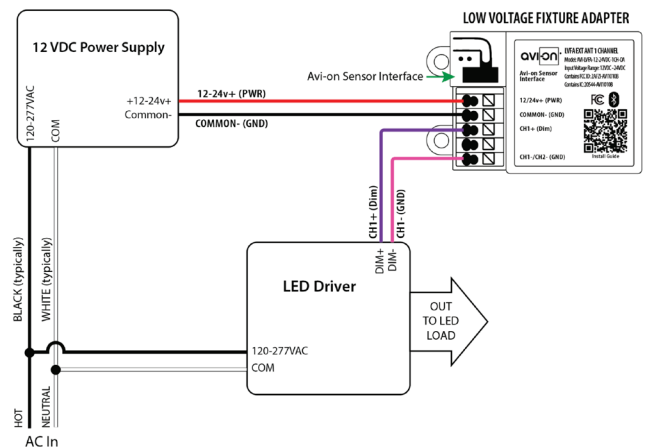
**RADIO FREQUENCY:** 2.4GHz  
**WIRELESS STANDARD:** BLE 4.2 with Mesh  
**POINT TO POINT RANGE\*:** 80ft with obstructions  
 350ft unobstructed  
**SECURITY:** AES 128-bit encryption for device to device communication  
 AES 256-bit encryption for device to cloud communication  
**WARRANTY:** 5 years; 10 years optional  
**REGULATORY:** FCC: 2AFZI-AVI1010 B  
 IC: 20544-AVI1010 B  
 BQB: D031801, DID: 86303  
 UL 916, 2043 (Plenum Rated)

\*When communicating through the mesh, range is essentially unlimited (5000ft+)

**WIRING DIAGRAM**



Fixture adapter powered by LED driver auxiliary output



Fixture adapter connected to LED driver and using power supply