



WNA SERIES SELECTABLE SEMI-CUTOFF WALL PACK

Client:
Project:
Type:
Quantity:

CONSTRUCTION

Cast aluminum frame holds lens and seals to housing gasket with two stainless steel screws. Door assembly hinges to side, cast aluminum housing with three 1/2" conduit entries (on top and sides), for surface conduit.

OPTICS

Borosilicate glass refractor softens LED image and provides uniform distribution and glare control. CCT and output selectable between 3000K ~ 5000K (80 CRI) configuration settings.

ELECTRICAL

80+ CRI Lumileds LED.
-40°C up to 45°C (-40°F up to 113°F) maximum operating temperature.
150,000hr LED at L70 @ 25°C, 120,000hr LED at L70 @ 40°C.
Driver operates at 120-277V input, 50/60Hz, <20% THD, 0.9 power factor.
WNA-8 model output selectable between 25W / 40W / 60W / 80W. Default setting: 5000K, 80W
WNA-10 model output selectable between 60W / 80W / 100W / 120W. Default setting: 5000K, 120W.
0-10V dimming driver, button photocontrol standard included.
Optional 10kV surge protector. Optional 347V / 480V Driver.
Optional Self-Diagnostic emergency back up.
Optional Self-Diagnostic Sub-Zero emergency back up.

SENSORS (OPTIONAL)

CONTROL-LVFA AVI-ON Bluetooth Mesh Controller.
CONTROL-BLE-SK104-PH ALS Control Bluetooth Fixture Controller.

MOUNTING

Wall mount over electrical box or via surface conduit.

STANDARD FINISH

Corrosion resistant Dark Bronze powder coating finish.

CUSTOM FINISH

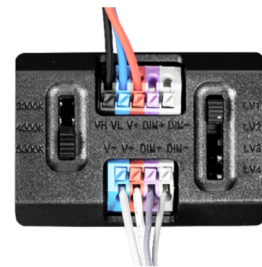
Black, Graphite Metallic, Gray, Silver, and White, or custom RAL#

CERTIFICATION

Wet Location listed.
Meets Buy America Act requirements.
Option for "BABAA" compliance upon request.
IDA compliant: with 3000K color temperature selection.
Title 24 compliant; see local ordinance for qualification information.
All luminaires are built to UL1598 standards and bear appropriate cETLus labels.
For Emergency application, equipped with UL924 certified battery packs.
DLC® Premium (DesignLights Consortium Qualified) listed.

WARRANTY

5 year warranty, see Limited Warranty for additional information.



SHIPPING DATA

Product	Measurement	Weight
WNA-80	15"L x 10"W x 9"H	9 lb
WNA-120	15"L x 10"W x 9"H	12 lb



WNA SERIES SELECTABLE SEMI-CUTOFF WALL PACK

ORDER INFORMATION **EXAMPLE: WNA 80 MC DB UNVD P**

Fixture	Series	Power & LM	CCT	Finish	Input	Sensor
	WNA		MC			P

Accessories
Options

A SERIES

WNA Selectable Semi-Cutoff Wall Pack

B POWER & LM

Code	Power	LM
80	25W / 40W / 60W / 80W	3,125lm - 11,940lm
120	60W / 80W / 100W / 120W	5,000lm - 17,159lm

C CCT

MC CCT Selectable: 3000K ~ 5000K

D FINISH

Standard

DB Dark Bronze

Custom Color

CC	BK Black	GM Graphite Metallic	GR Gray
	SV Silver	WH White	RAL#

E INPUT

UNVD-P	110-277V, 0-10V Dimming, with Photocell
HVLD-P	347-480V, 1-10V Dimmable, with Photocell

G ACCESSORIES/OPTIONS

BAA	Assembled in America, compliant with BAA (COTS)
BABAA	Build America, Buy America Act (BABAA) Compliant
EMB-8W-B**	90-Minute Self-Diagnostic Emergency Battery 8W 100-347VAC Input 170VDC Output (only for WNA-80)
EMB-18W-B**	90-Minute Self-Diagnostic Emergency Battery 18W 100-347VAC Input 170VDC Output
EMB-18W-C-B**	90-Minute Self-Diagnostic Emergency Battery 18W 100-347VAC Input 170VDC Output -20°C-50°C (-4°F-122°F)
SURGE-LSP4-U / H	10kV inline Surge Protection for Universal input / U : 120-277V, H : 480V input
CONTROL-LVFA*	AVI-ON Bluetooth Mesh Control System
CONTROL-BLE-SK104-PH*	Integral Bluetooth Fixture Controller w/Button Photocell (ALS Control Mobile App)

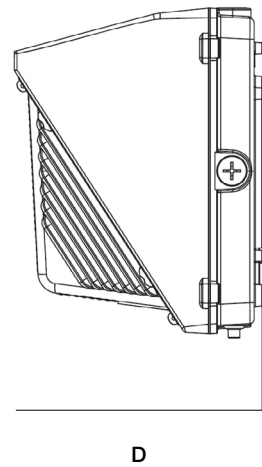
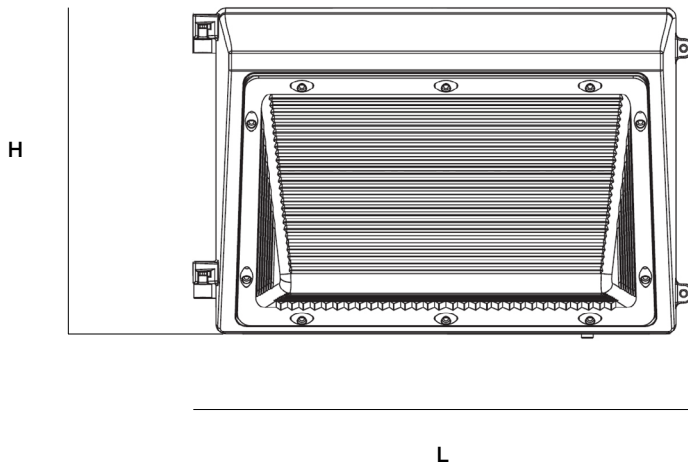
*see page 5 for sensor spec

**see page 5 for emb spec

WNA SERIES SELECTABLE SEMI-CUTOFF WALL PACK

DIMENSIONS

Model	H	L	D
WNA-80	9.25" (235mm)	14.25" (362mm)	7.40" (187mm)
WNA-120	9.25" (235mm)	14.25" (362mm)	7.40" (187mm)



WNA SERIES SELECTABLE SEMI-CUTOFF WALL PACK

PERFORMANCE DATA / DLC CODE

SYSTEM WATTS	CCT	VOLTAGE	LUMEN	LPW	QTY ON PALLET	PART NUMBER	DLC PRODUCT ID / ORDER CODE	DLC CLASS
WNA-80 25W Selection	3000K ~ 5000K	120-277V	3125	125	96	WNA-80MC-DBUNVD-P	ALS: WNA-80-MC-DB-UNVD-P Product ID: PLFBGHMX5ZIV	DLC 5.1 Premium
WNA-80 40W Selection	3000K ~ 5000K	120-277V	5000	125	96	WNA-80MC-DBUNVD-P	ALS: WNA-80-MC-DB-UNVD-P Product ID: PLFBGHMX5ZIV	DLC 5.1 Premium
WNA-80 60W Selection	3000K ~ 5000K	120-277V	7500	125	96	WNA-80MC-DBUNVD-P	ALS: WNA-80-MC-DB-UNVD-P Product ID: PLFBGHMX5ZIV	DLC 5.1 Premium
WNA-80 80W Selection	3000K ~ 5000K	120-277V	11120	139	96	WNA-80MC-DBUNVD-P	ALS: WNA-80-MC-DB-UNVD-P Product ID: PLFBGHMX5ZIV	DLC 5.1 Premium
WNA-120 60W Selection	3000K ~ 5000K	120-277V	8100	135	96	WNA-120MC-DBUNVD-P	ALS: WNA-120-MC-DB-UNVD-P Product ID: S-SC3U17	DLC 5.1 Premium
WNA-120 80W Selection	3000K ~ 5000K	120-277V	11120	139	96	WNA-120MC-DBUNVD-P	ALS: WNA-120-MC-DB-UNVD-P Product ID: S-SC3U17	DLC 5.1 Premium
WNA-120 100W Selection	3000K ~ 5000K	120-277V	12900	129	96	WNA-120MC-DBUNVD-P	ALS: WNA-120-MC-DB-UNVD-P Product ID: S-SC3U17	DLC 5.1 Premium
WNA-120 120W Selection	3000K ~ 5000K	120-277V	16200	135	96	WNA-120MC-DBUNVD-P	ALS: WNA-120-MC-DB-UNVD-P Product ID: S-SC3U17	DLC 5.1 Premium

WNA SERIES SELECTABLE SEMI-CUTOFF WALL PACK

SENSOR SPEC

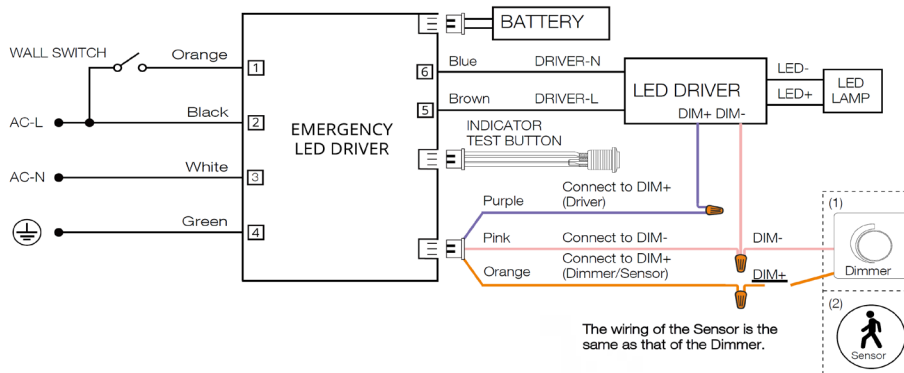
Model	Type	Mounting	Coverage	Input	Function	Programmable
CONTROL-LVFA (see page 6 for detail)	Fixture Controller	-	-	12V DC	Bluetooth Mesh On/Off/Dimming Scheduling	AVI-ON Bluetooth Mobile App
CONTROL-BLE-SK104-PH (see page 7 for detail)	Fixture Controller	-	-	12V DC	Bluetooth Mesh On/Off/Dimming Scheduling CCT Tuning	ALS Control Bluetooth Mobile Control



CONTROL-AVI-LVFA CONTROL-BLE-SK104-PH

EMB SPEC

Model	Battery Capacity	Input	Output	Output Power	Operating Temp	Installation
EMB-8W-B	90mins	100-347VAC	170VDC	8W	0°C ~ 50°C 32°F ~ 122°F	Factory or Field Install
EMB-18W-B	90mins	100-347VAC	170VDC	18W	0°C ~ 50°C 32°F ~ 122°F	Factory or Field Install
EMB-18W-C-B	90mins	100-347VAC	170VDC	18W	-20°C ~ 50°C -4°F ~ 122°F	Factory or Field Install



WNA SERIES SELECTABLE SEMI-CUTOFF WALL PACK

CONTROL-LVFA SPEC

Status LEDs & Config Button

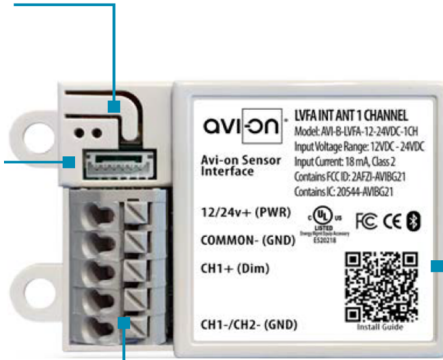
Quick and easy validation of wiring and network

Direct Connect™ Sensor Port

Simple and cost-effective addition to Avi-on sensors

Terminal Blocks & Mounting Tabs

Faster, easier and lower cost installation eliminating connectors



Internal Antenna

Improved performance and eliminates risk of accidentally cutting a hanging wire

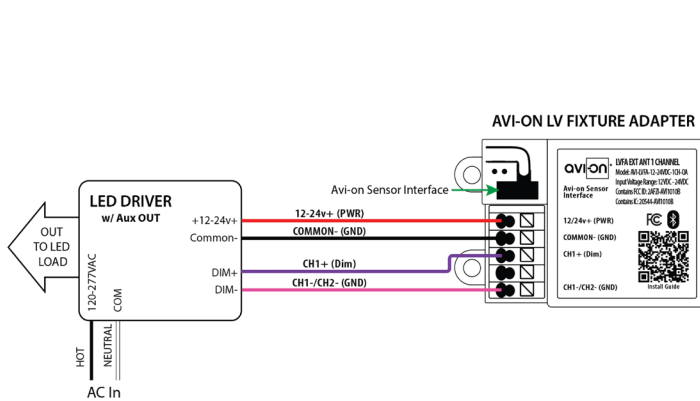
SPECIFICATIONS

INPUT VOLTAGE: 12-24VDC
CURRENT: 15mA without a Sensor
 19mA with a DC PIR Sensor
 48mA with a DC Microwave Sensor
0-10V DIMMING: 12-24VDC
SIZE: 2.30in x 1.43in x 0.75in
 (58.2mm x 36.4mm x 19mm)
MOUNTING: Removable mounting tabs
WEIGHT: 0.45 oz (16g)
OPERATING TEMP: -22°F to +158°F (-30°C to + 70°C)

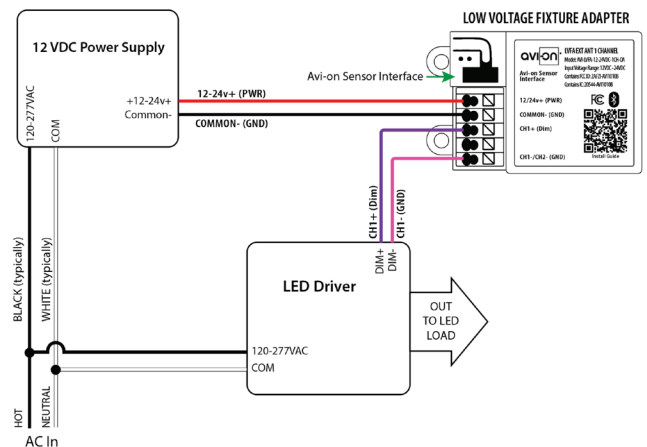
RADIO FREQUENCY: 2.4GHz
WIRELESS STANDARD: BLE 4.2 with Mesh
POINT TO POINT RANGE*: 80ft with obstructions
 350ft unobstructed
SECURITY: AES 128-bit encryption for device to device communication
 AES 256-bit encryption for device to cloud communication
WARRANTY: 5 years; 10 years optional
REGULATORY: FCC: 2AFZI-AVI1010 B
 IC: 20544-AVI1010 B
 BQB: D031801, DID: 86303
 UL 916, 2043 (Plenum Rated)

*When communicating through the mesh, range is essentially unlimited (5000ft+)

WIRING DIAGRAM



Fixture adapter powered by LED driver auxiliary output



Fixture adapter connected to LED driver and using power supply

FEATURE

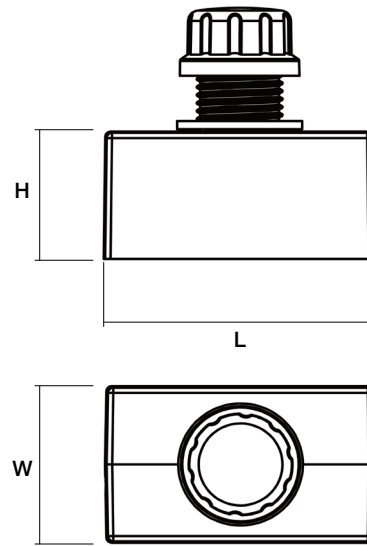
- **Installation:** Factory / Jobsite install through 1/2" knockout hole, 12V AUX power required
- **Commissioning:** Wirelessly through ALS Control Mobile App (iOS / Android)
- **Certification:** DLC 5.1 Networked Lighting Control System
- **Control:** High-End Trim, Zoning, Continuous Bi-level Dimming
- **CCT Tuning:** CCT Tuning feature for Dual/Multi-CCT LED board fixture only
- **Sensor:** Photocell
- **Zone Control:** Zoning and Grouping control, Scheduling



SPECIFICATIONS

SENSOR TYPE:	Photocell
WIRELESS STANDARDS:	5.0 Bluetooth Mesh
INPUT VOLTAGE:	12-14VDC, >50mA
CONTROL OUTPUT:	0-10V
OPERATING TEMP:	-40°F ~ +158°F (-40°C ~ +70°C)
COMMISSIONING RANGE:	50FT
BLUETOOTH RANGE:	100FT
DETECTION ANGLE:	360°
WARRANTY:	5 years
IP RATING:	IP65

DIMENSIONS



L	H	W
1.14" (29mm)	0.94" (24mm)	1.97" (50mm)

WIRING DIAGRAM

