



## LHEA SERIES LINEAR BAY LIGHT

Client:  
Project:  
Type:  
Quantity:

### CONSTRUCTION

Full body steel housing constructed for shipment and job site durability.  
Channel includes top and side knockouts for simple and accessible wiring.

### OPTICS

>95% efficiency optical grade polycarbonate prismatic lens available for general distribution or aisle distribution. Optional wireguard.

### ELECTRICAL

80+ CRI LED. -40°C up to 55°C (-40°F up to 131°F) maximum operating temperature.  
L<sub>70</sub> >100,000 hours.  
50/60Hz, <20% THD, >.9 Power Factor.  
Dim-to-Off Driver operates at 120-277V input, 0-10V dimmable, with integral 12V AUX  
3.5mm sensor receptacle for SENSOR-ANT-6-4T.  
Built-in thermal protector. Optional 347/480V input.  
Optional dimming sensor for occupancy and ambient light level detection.  
Optional emergency battery for 120-277V / 480V application.

### SENSORS (OPTIONAL)

SENSOR-ANT-6-4T - Plug-N-Play PIR on/off/dimming/photosensing (40FT MH).  
SENSOR-ANT-6-4T-H - Plug-N-Play PIR on/off/dimming/photosensing (50FT MH).  
SENSOR-BLE-6-4T - Plug-N-Play PIR ALS Control Bluetooth/on/off/dimming (40FT MH).  
SENSOR-BLE-6-4T-H - Plug-N-Play PIR ALS Control Bluetooth/on/off/dimming (50FT MH).  
"-EM" - Compatible with Emergency Battery (Auto-bypass)  
CONTROL-LVFA AVI-ON Bluetooth Mesh Controller.

### MOUNTING

Adjustable aircraft cable hanger as standard mounting.

### STANDARD FINISH

All metal parts are post painted after fabrication with polyester powder coat paint with 90% reflectance.

### CERTIFICATION

Meets Buy America Act requirements.  
All luminaires are built to UL1598 standards and bear appropriate cULus labels.  
For Emergency application, equipment with UL924 certified battery packs.  
DLC® Premium (DesignLights Consortium Qualified).

### WARRANTY

5 year warranty, see Limited Warranty for additional information.



270W

### SHIPPING DATA

Product	Measurement	Weight
LHEA-135	17"L x 11"W x 2"H	5 lb
LHEA-200	23"L x 11"W x 2"H	6 lb
LHEA-270	32"L x 11"W x 2"H	8 lb
LHEA-400	45"L x 11"W x 2"H	11 lb



**LHEA SERIES LINEAR BAY LIGHT**

**ORDER INFORMATION** **EXAMPLE : LHEA 130 MC FL CK WH UD**

Fixture	Series	Power & LM	CCT	Distribution	Mount	Finish	Input
	<b>LHEA</b>		<b>MC</b>		<b>CK</b>	<b>WH</b>	

**A SERIES**

LHEA Linear Bay Light

**B POWER & LM**

CODE	POWER	LM	LPW
135	Field Selectable 100/115/135W	15,000 ~ 20,250	150
200	Field Selectable 155/185/200W	23,250 ~ 30,000	150
270	Field Selectable 200/230/270W	30,000 ~ 40,500	150
400	Field Selectable 270/340/400W	40,500 ~ 60,000	150

**C CCT**

MC Field Selectable 4000/5000K

**D DISTRIBUTION**

AL Frosted Aisle Distribution Lens  
 FL Frosted General Distribution Lens (Default Lens)

**E MOUNT**

CK 6FT Adjustable Aircraft Cable Hanging Kit (standard)

**F FINISH**

WH White

**G INPUT**

UD Dim-to-Off 120-277V Input 0-10V Dimming  
 HD Dim-to-Off 277-480V Input 0-10V Dimming (Default)  
 MD 120-347V, 10% 0-10V Dimming w/12V AUX Output

**LHEA SERIES LINEAR BAY LIGHT**

**ORDER INFORMATION (CONTINUED)**

Accessories  
 Options

**G ACCESSORIES/OPTIONS**

<b>BAA</b>	Assembled in America, compliant with BAA (COTS)
<b>PMK</b>	Pendant Mount Kit
<b>SMK</b>	Surface Mount Kit
<b>WIREGUARD-LHEA-A</b>	Wireguard for LHEA-135 (1:1)
<b>WIREGUARD-LHEA-B</b>	Wireguard for LHEA-200 (1:1)
<b>WIREGUARD-LHEA-C</b>	Wireguard for LHEA-270 (1:1)
<b>WIREGUARD-LHEA-D</b>	Wireguard for LHEA-400 (1:1)
<b>EMB-H18170**</b>	90-Minute Self-Diagnostic Emergency Battery 18W 100-347VAC Input 170VDC Output (Compatible w/LHEA-135)
<b>EMB-H40170**</b>	90-Minute Self-Diagnostic Emergency Battery 40W 100-347VAC Input 170VDC Output
<b>EMB-H40500**</b>	90-Minute Self-Diagnostic Emergency Battery 40W 277-480VAC Input 500VDC Output
<b>REMOTE-RC100</b>	Handheld Remote Commissioning Tool for SENSOR-819-D1/D2 Only, ANT Series
<b>SENSOR-ANT-6-4T*</b>	Plug-N-Play PIR on/off/dimming/photosensing up to <b>40FT MH</b>
<b>SENSOR-ANT-6-4T-EM*</b>	Plug-N-Play PIR on/off/dimming/photosensing for <b>EMB application</b> up to <b>40FT MH</b>
<b>SENSOR-ANT-6-4T-H*</b>	Plug-N-Play PIR on/off/dimming/photosensing up to <b>50FT MH</b>
<b>SENSOR-ANT-6-4T-H-EM*</b>	Plug-N-Play PIR on/off/dimming/photosensing for <b>EMB application</b> up to <b>50FT MH</b>
<b>SENSOR-BLE-6-4T*</b>	Plug-N-Play Bluetooth on/off/dimming/Daylight Harvesting Sensor (ALS Control Mobile App)
<b>SENSOR-BLE-6-4T-EM*</b>	Plug-N-Play Bluetooth on/off/dimming/Daylight Harvesting Sensor (ALS Control Mobile App) for EMB application
<b>SENSOR-BLE-6-4T-H*</b>	Plug-N-Play Bluetooth on/off/dimming/Daylight Harvesting Sensor (ALS Control Mobile App) up to <b>50FT MH</b>
<b>SENSOR-BLE-6-4T-H-EM*</b>	Plug-N-Play Bluetooth on/off/dimming/Daylight Harvesting Sensor (ALS Control Mobile App) for EMB application up to <b>50FT MH</b>
<b>CONTROL-LVFA*</b>	AVI-ON Bluetooth Mesh Control System
<b>-CORD</b>	18-3 300V 6 Foot Cord
<b>-PLUG</b>	18-3 300V 6 Foot and 3 Prong Plug

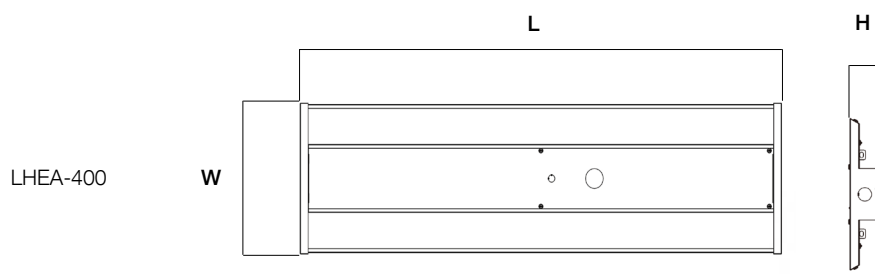
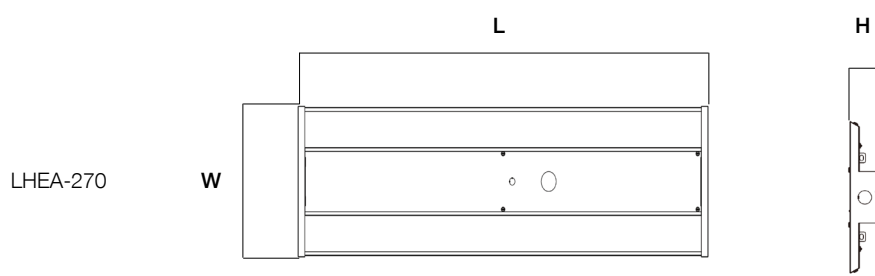
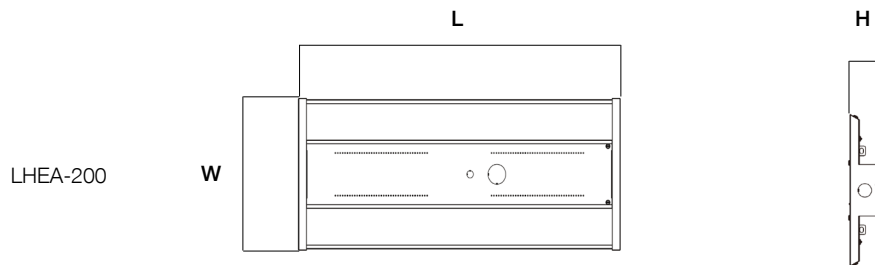
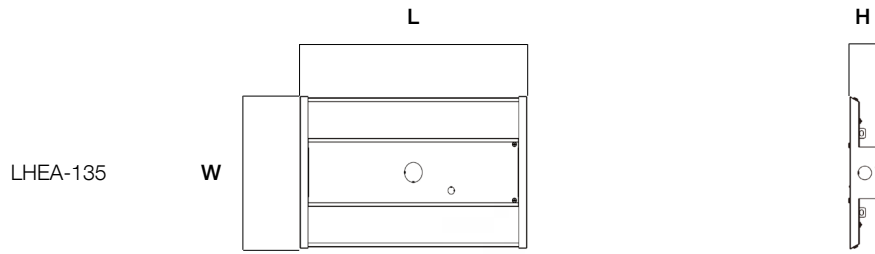
\*see page 7 for sensor spec

\*\*see page 8 for emb spec

**LHEA SERIES LINEAR BAY LIGHT**

**DIMENSIONS**

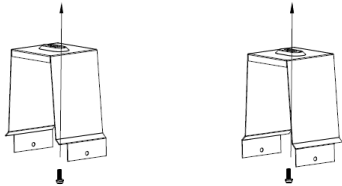
Model	L	W	H
LHEA-135	16.5" (420mm)	10.2" (260mm)	1.8" (45mm)
LHEA-200	22.8" (580mm)	10.2" (260mm)	1.8" (45mm)
LHEA-270	31.1" (790mm)	10.2" (260mm)	1.8" (45mm)
LHEA-400	44.1" (1120mm)	10.2" (260mm)	1.8" (45mm)



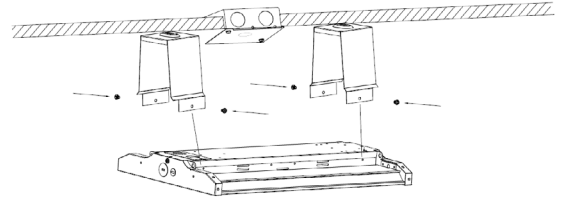
**LHEA SERIES LINEAR BAY LIGHT**

**MOUNTING**

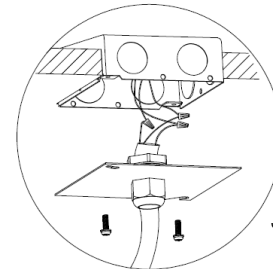
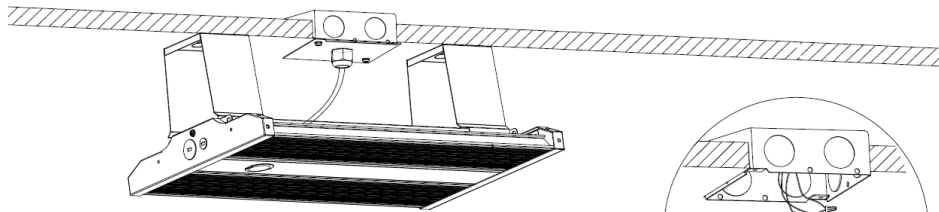
**SMK - SURFACE MOUNT**



Install SMK (Pair) to ceiling with proper screw & anchor



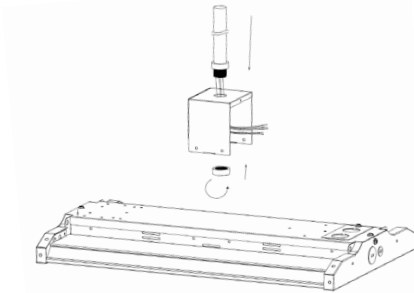
Secure LHEA onto SMK by tighten screws provided



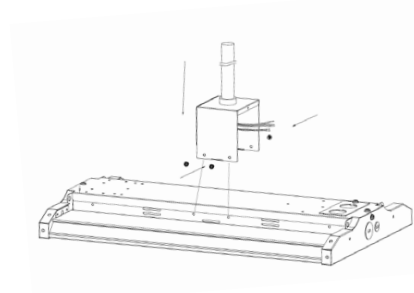
J-box and Flex Conduit  
 Provided By Other

Feed wires through flex conduit, all connection to be made inside ceiling J-box

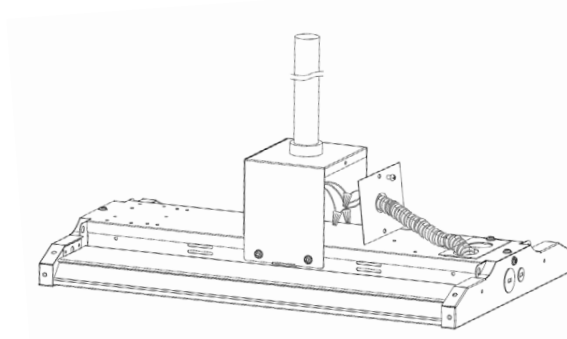
**PMK - PENDANT MOUNT**



Securely attach PMK to conduit



Secure LHEA onto PMK by tighten screws provided



Flex Conduit  
 Provided By Other

Feed wires through flex conduit, all connection to be made inside PMK J-box

**LHEA SERIES LINEAR BAY LIGHT**

**PERFORMANCE DATA**

SYSTEM WATTS	VOLTAGE	4000K / 5000K with FL Lens		4000K / 5000K with AL Lens		QTY ON PALLET
		LUMENS	LPW	LUMENS	LPW	
135W Set @ 100W	120-277V / 480V	14700	147	15400	154	240
135W Set @ 115W	120-277V / 480V	16905	147	17710	154	240
135W Set @ 135W	120-277V / 480V	19845	147	20790	154	240
200W Set @ 155W	120-277V / 480V	23870	154	22630	146	200
200W Set @ 185W	120-277V / 480V	28490	154	27010	146	200
200W Set @ 200W	120-277V / 480V	30800	154	29200	146	200
270W Set @ 200W	120-277V / 480V	29600	148	30400	152	160
270W Set @ 230W	120-277V / 480V	34040	148	34960	152	160
270W Set @ 270W	120-277V / 480V	39960	148	41040	152	160
400W Set @ 270W	120-277V / 480V	39960	148	41580	154	120
400W Set @ 340W	120-277V / 480V	50320	148	52360	154	120
400W Set @ 400W	120-277V / 480V	59200	148	61600	154	120

**DLC CODE (PENDING)**

Part Number	DLC Part Number	DLC Class
LHEA-135MCFL-WHUD / HD	PENDING	Premium
LHEA-135MCAL-WHUD / HD	PENDING	Premium
LHEA-200MCFL-WHUD / HD	PENDING	Premium
LHEA-200MCAL-WHUD / HD	PENDING	Premium
LHEA-270MCFL-WHUD / HD	S-0RX324 / S-614FFH	Premium
LHEA-270MCAL-WHUD / HD	PENDING	Premium
LHEA-400MCFL-WHUD / HD	PENDING	Premium
LHEA-400MCAL-WHUD / HD	PENDING	Premium

**LHEA SERIES LINEAR BAY LIGHT**

**SENSOR SPEC**

Model	Type	Mounting	Coverage	Input	Function	Programmable
CONTROL-LVFA (see page 9 for detail)	Fixture Controller	-	-	12V DC	Bluetooth Mesh On/Off/Dimming Scheduling	AVI-ON Bluetooth Mobile App
SENSOR-ANT-6-4T SENSOR-ANT-6-4T-EM	PIR	up to 40FT	30FT radius	12V DC	On/Off/Dimming	REMOTE-RC100
SENSOR-BLE-6-4T SENSOR-BLE-6-4T-EM (see page 10 for detail)	PIR	up to 40FT	30FT radius	12V DC	Bluetooth Mesh On/Off/Dimming Daylight Harvesting	ALS Control Bluetooth Mobile App
SENSOR-ANT-6-4T-H* SENSOR-ANT-6-4T-H-EM	PIR	up to 50FT	30FT radius	12V DC	On/Off/Dimming	REMOTE-RC100
SENSOR-BLE-6-4T-H* SENSOR-BLE-6-4T-H-EM	PIR	up to 50FT	30FT radius	12V DC	Bluetooth Mesh On/Off/Dimming Daylight Harvesting	ALS Control Bluetooth Mobile App



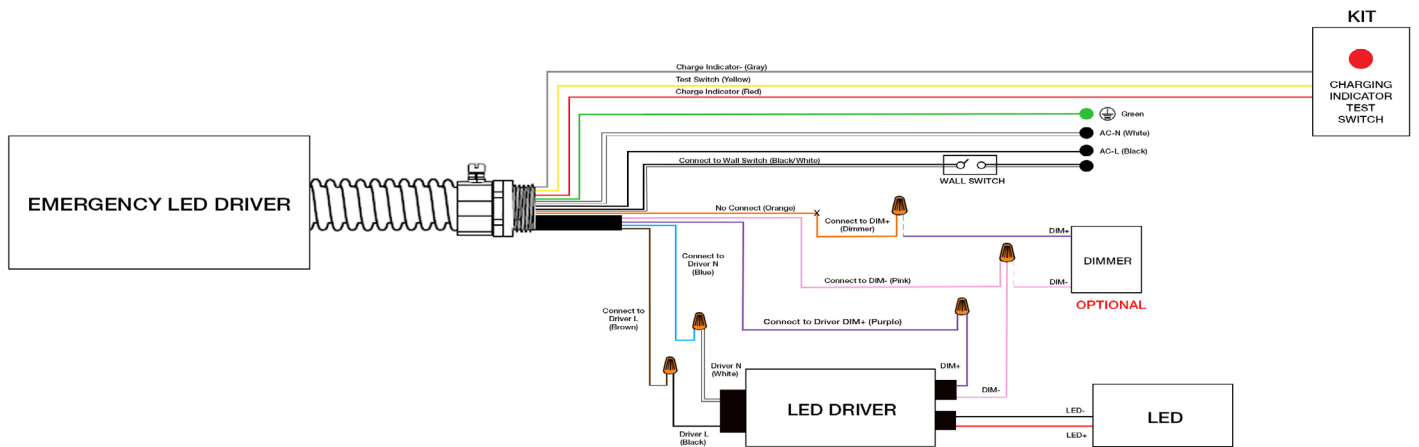
SENSOR-ANT-6-4T  
 SENSOR-ANT-6-4T-EM  
 SENSOR-BLE-6-4T  
 SENSOR-BLE-6-4T-EM  
 SENSOR-BLE-6-4T-H  
 SENSOR-BLE-6-4T-EM-H

CONTROL-LVFA

**LHEA SERIES LINEAR BAY LIGHT**

**EMB SPEC**

Model	Battery Capacity	Input	Output	Output Power	Operating Temp	Installation
EMB-H18170	90mins	100-347VAC	170VDC	18W	0°C ~ 50°C 32°F ~ 122°F	Factory or Field Install
EMB-H40170	90mins	100-347VAC	170VDC	40W	0°C ~ 50°C 32°F ~ 122°F	Factory or Field Install
EMB-H40500	90mins	277-480VAC	300-500VDC	40W	0°C ~ 50°C 32°F ~ 122°F	Factory or Field Install



**LHEA SERIES LINEAR BAY LIGHT**

**CONTROL-LVFA SPEC**

**Status LEDs & Config Button**

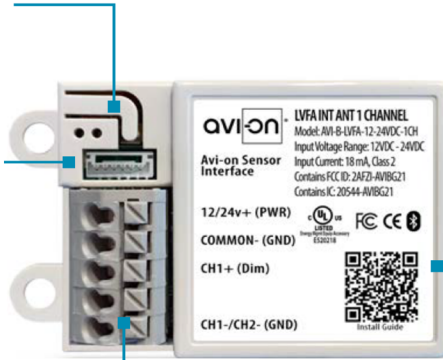
Quick and easy validation of wiring and network

**Direct Connect™ Sensor Port**

Simple and cost-effective addition to Avi-on sensors

**Terminal Blocks & Mounting Tabs**

Faster, easier and lower cost installation eliminating connectors



**Internal Antenna**

Improved performance and eliminates risk of accidentally cutting a hanging wire

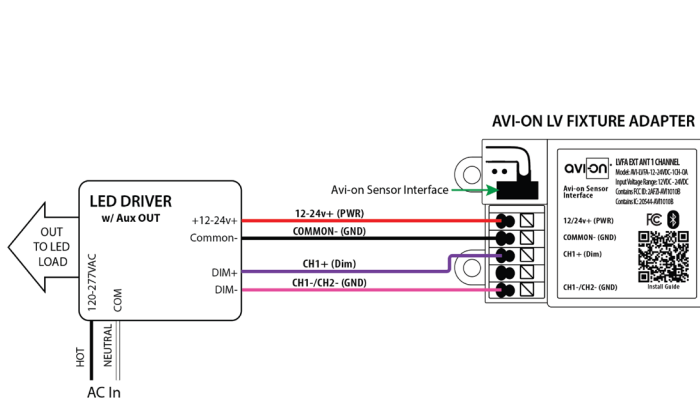
**SPECIFICATIONS**

**INPUT VOLTAGE:** 12-24VDC  
**CURRENT:** 15mA without a Sensor  
 19mA with a DC PIR Sensor  
 48mA with a DC Microwave Sensor  
**0-10V DIMMING:** 12-24VDC  
**SIZE:** 2.30in x 1.43in x 0.75in  
 (58.2mm x 36.4mm x 19mm)  
**MOUNTING:** Removable mounting tabs  
**WEIGHT:** 0.45 oz (16g)  
**OPERATING TEMP:** -22°F to +158°F (-30°C to + 70°C)

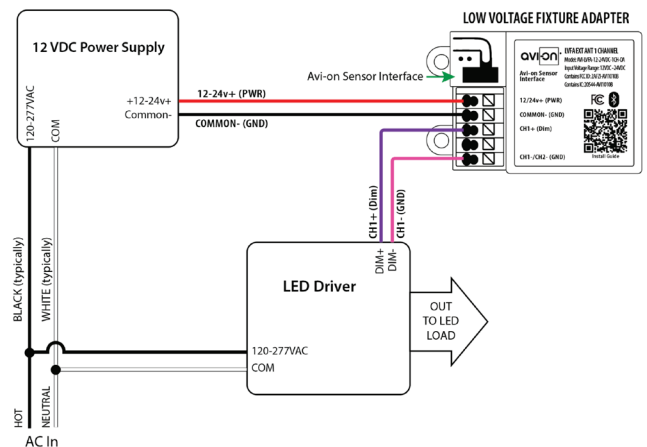
**RADIO FREQUENCY:** 2.4GHz  
**WIRELESS STANDARD:** BLE 4.2 with Mesh  
**POINT TO POINT RANGE\*:** 80ft with obstructions  
 350ft unobstructed  
**SECURITY:** AES 128-bit encryption for device to device communication  
 AES 256-bit encryption for device to cloud communication  
**WARRANTY:** 5 years; 10 years optional  
**REGULATORY:** FCC: 2AFZI-AVI1010 B  
 IC: 20544-AVI1010 B  
 BQB: D031801, DID: 86303  
 UL 916, 2043 (Plenum Rated)

\*When communicating through the mesh, range is essentially unlimited (5000ft+)

**WIRING DIAGRAM**



Fixture adapter powered by LED driver auxiliary output



Fixture adapter connected to LED driver and using power supply

**FEATURE**

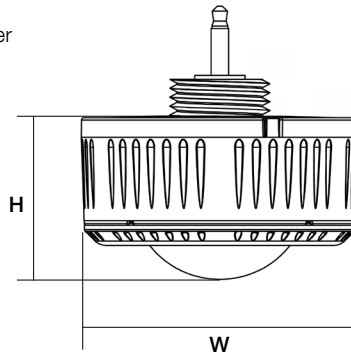
- **Installation:** Plug-N-Play via AUX socket on attached fixture
- **Commissioning:** Wirelessly through ALS Control Mobile App (iOS / Android)
- **Certification:** DLC 5.1 Networked Lighting Control System
- **Control:** Hold time, High-Low setting, continuous Bi-level dimming, Code-compliant manual-on or auto-off capability
- **Sensor:** Motion (Occupancy/Vacancy/Manual) and Daylight Harvesting
- **Room and Zone Control:** Zoning and Grouping control, Scheduling



**SPECIFICATIONS**

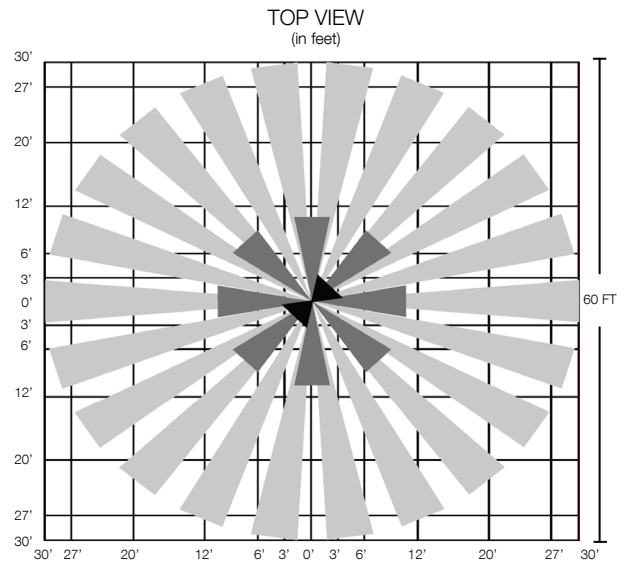
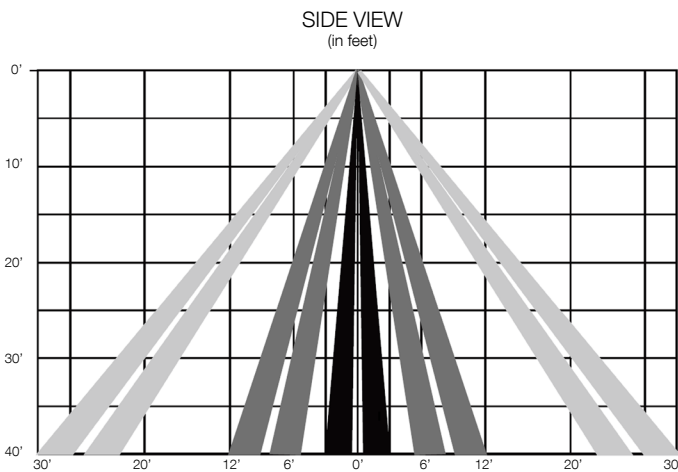
<b>SENSOR TYPE:</b>	Passive Infrared Sensor (PIR)
<b>WIRELESS STANDARDS:</b>	5.0 Bluetooth Mesh
<b>STANDARD OPTION:</b>	SENSOR-BLE-6-4T
<b>EMB OPTION:</b>	SENSOR-BLE-6-4T-EM (Designed for fixtures with emergency kit. When the voltage power is off, the sensor will stop working.)
<b>INPUT VOLTAGE:</b>	12-24VDC, >50mA
<b>CONTROL OUTPUT:</b>	0-10V
<b>OPERATING TEMP:</b>	-4°F ~ +140°F (-20°C ~ +60°C)
<b>COMMISSIONING RANGE:</b>	50FT
<b>BLUETOOTH RANGE:</b>	164FT
<b>DETECTION ANGLE:</b>	360°
<b>MOUNTING HEIGHT:</b>	Up to 40FT
<b>WARRANTY:</b>	5 years
<b>IP RATING:</b>	IP65
<b>FACTORY DEFAULT SETTINGS:</b>	100% Brightness for 5 min Dim Down to 30% Hold for 10 min Turn Off

**DIMENSIONS**



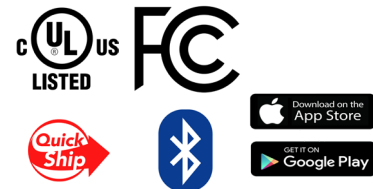
H	W
1.03" (26.2mm)	2.17" (55mm)

**COVERAGE PATTERNS**



**ORDER CODES**

- SENSOR-BLE-6-4T** "Plug-N-Play" Integral Bluetooth Daylight Harvesting Sensor (ALS Control Mobile App) up to 40FT MH.
- SENSOR-BLE-6-4T-EM** "Plug-N-Play" Integral Bluetooth Daylight Harvesting Sensor (ALS Control Mobile App) up to 40FT MH w/ EMB.
- SENSOR-BLE-6-4T-H** "Plug-N-Play" Integral Bluetooth Daylight Harvesting Sensor (ALS Control Mobile App) up to 50FT MH.
- SENSOR-BLE-6-4T-H-EM** "Plug-N-Play" Integral Bluetooth Daylight Harvesting Sensor (ALS Control Mobile App) up to 50FT MH w/ EMB.



**FEATURE**

- **Installation:** Factory or Field Install End Mount to Fixture
- **Commissioning:** Wirelessly through ALS Control Mobile App (iOS / Android)
- **Certification:** DLC 5.1 Networked Lighting Control System
- **Control:** Hold time, High-Low setting, continuous Bi-level dimming, Code-compliant manual-on or auto-off capability
- **Sensor:** Motion (Occupancy/Vacancy/Manual) and Daylight Harvesting
- **Room and Zone Control:** Zoning and Grouping control, Scheduling

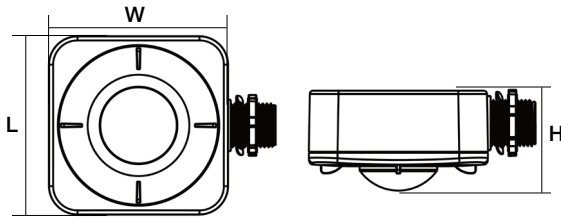


**SPECIFICATIONS**

**SENSOR TYPE:** Passive Infrared Sensor (PIR)  
**WIRELESS STANDARDS:** Bluetooth SIG Mesh  
**INPUT VOLTAGE:** 120/277VAC  
**CONTROL OUTPUT:** 0-10V  
**OPERATING TEMP:** -40°F ~ +167°F (-40°C ~ +75°C)

**COMMISSIONING RANGE:** 50FT  
**BLUETOOTH RANGE:** Intergral antenna up to 100FT  
**DETECTION ANGLE:** Vertical 90° x Horizontal 360°  
**MOUNTING HEIGHT:** 8 - 40FT  
**WARRANTY:** 5 years  
**IP RATING:** IP20 Damp

**DIMENSIONS**



L	W	H
3.19" (81mm)	4.02" (102mm)	1.70" (43.3mm)

**COVERAGE PATTERNS**

