

HBH SERIES HIGH AMBIENT BAY LIGHT

Client:
 Project:
 Type:
 Quantity:

CONSTRUCTION

Single piece die-cast aluminum housing, driver enclosure thermally separated from body, maximizes heat dissipation & air flow.

Unique design allows luminaire to perform and sustain under high ambient temperature applications up to 65°C (149°F).

IP66 rated protection against dust and jets of water.

Suitable for interior/exterior, wet, high pressure hosedown applications.

OPTICS

Custom engineered high-efficient impact resistant and high temperature rating optics providing optimally controlled light distribution.

ELECTRICAL

70+ CRI LED.

-40°C up to 65°C* (-40°F up to 149°F) maximum operating temperature.

Long-life 100,000 hr LED at L70 @ 25°C.

50/60Hz, <20% THD, 0.9 power factor.

Field Selectable Lumen Technology.

Driver operates at 120-277V input, 0-10V dimmable driver, down to 10% with integral 12V AUX 3.5mm sensor receptacle for SENSOR-ANT-6-4T.

Optional 347/480V input.

Optional dimming sensor for occupancy and ambient light level detection.

SENSORS (OPTIONAL)

SENSOR-ANT-6-4T - Plug-N-Play PIR on/off/dimming/photosensing (40FT MH).

SENSOR-ANT-6-4T-H - Plug-N-Play PIR on/off/dimming/photosensing (50FT MH).

SENSOR-BLE-6-4T - Plug-N-Play PIR ALS Control Bluetooth/on/off/dimming (40FT MH).

SENSOR-BLE-6-4T-H - Plug-N-Play PIR ALS Control Bluetooth/on/off/dimming (50FT MH).

"-EM" - Compatible with Emergency Battery (Auto-bypass)

MOUNTING

Pendant mount 3/4" conduit entry on top of fixture with snap hook.

Optional 3/4" Pipe Adapter to Pendant Mount Application.

STANDARD FINISH

Corrosion resistant Dark Bronze powder coating finish.

CUSTOM FINISH

Corrosion resistant Black, Graphite Metallic, Gray, Silver, White or custom RAL#.

CERTIFICATION

IP66 Wet location label standard.

Meets Buy America Act requirements.

IK10 Impact Rated.

All luminaires are built to UL1598 standards and bear appropriate cULus labels.

DLC® Premium (DesignLights Consortium Qualified)

WARRANTY

5 year warranty, see Limited Warranty for additional information.



350W / 410W

SHIPPING DATA

Product	Measurement	Weight
HBH-350	26"L x 26"W x 8"H	18 lb
HBH-410	26"L x 26"W x 8"H	20 lb



HBH SERIES HIGH AMBIENT BAY LIGHT

ORDER INFORMATION **EXAMPLE : HBH 350 50 C DB UD**

Fixture	Series	Power & LM	CCT	Lens	Finish	Input
	HBH		50	C	DB	

Accessories
Options

A SERIES

HBH Bay Light - Field Selectable Lumen

B POWER & LM

CODE	POWER	LM	CODE	POWER	LM
350	MAX 350W (up to 55°C)	62,000	410	MAX 410W (up to 55°C)	72,000
	140W High Ambient (up to 65°C)	26,600		164W High Ambient (up to 65°C)	31,000
	210W High Ambient (up to 65°C)	39,000		246W High Ambient (up to 65°C)	45,500
	280W High Ambient (up to 65°C)	51,000		328W High Ambient (up to 55°C)	59,000
	350W High Ambient (up to 55°C)	62,000		410W High Ambient (up to 55°C)	72,000

C CCT

50 5000K

D LENS

C Clear

F FINISH

Standard

DB Dark Bronze

Custom Color

CC	BK Black	GM Graphite Metallic	GR Gray
	SV Silver	WH White	RAL#

F INPUT

UD 110-277V, 1-10V Dimmable, w/Integral 12V AUX 3.5mm sensor receptacle for SENSOR-ANT-6-4T

HD 347V, 480V, 1-10V Dimmable, w/Integral 12V AUX 3.5mm sensor receptacle for SENSOR-ANT-6-4T

HBH SERIES HIGH AMBIENT BAY LIGHT

G ACCESSORIES/OPTIONS

BAA	Assembled in America, compliant with BAA (COTS)
MOUNT-HB-PIPE-BK	3/4" Pipe Adapter to Pendant Mount Application
REMOTE-RC100	Handheld Remote Commissioning Tool for SENSOR-ANT (1 per job)
SENSOR-ANT-6-4T*	Plug-N-Play PIR on/off/dimming/photosensing up to 40FT MH
SENSOR-ANT-6-4T-EM*	Plug-N-Play PIR on/off/dimming/photosensing for EMB application up to 40FT MH
SENSOR-ANT-6-4T-H*	Plug-N-Play PIR on/off/dimming/photosensing up to 50FT MH
SENSOR-ANT-6-4T-H-EM*	Plug-N-Play PIR on/off/dimming/photosensing for EMB application up to 50FT MH
SENSOR-BLE-6-4T*	Plug-N-Play Bluetooth on/off/dimming/Daylight Harvesting Sensor (ALS Control Mobile App)
SENSOR-BLE-6-4T-EM*	Plug-N-Play Bluetooth on/off/dimming/Daylight Harvesting Sensor (ALS Control Mobile App) for EMB application
SENSOR-BLE-6-4T-H*	Plug-N-Play Bluetooth on/off/dimming/Daylight Harvesting Sensor (ALS Control Mobile App) up to 50FT MH
SENSOR-BLE-6-4T-H-EM*	Plug-N-Play Bluetooth on/off/dimming/Daylight Harvesting Sensor (ALS Control Mobile App) for EMB application up to 50FT MH
-CORD	18-3 300V 6 Foot Cord
-PLUG	18-3 300V 6 Foot and 3 Prong Plug
TWIST-LOCK	Specify Plug Type: L515P / L715P / HBL5929 / L8-20P

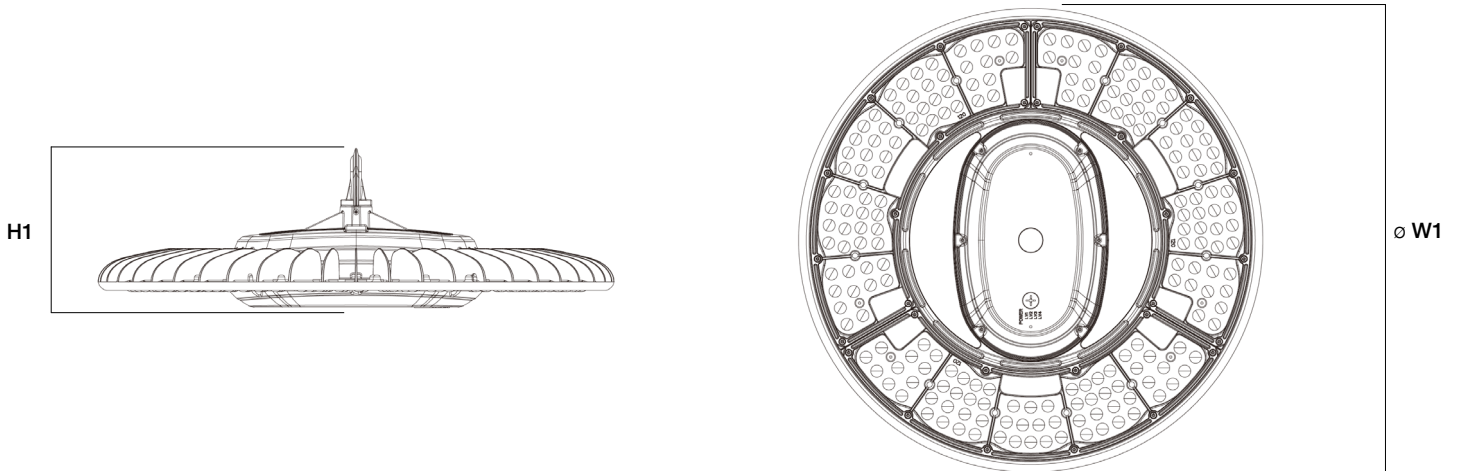
*see page 6 for sensor spec

HBH SERIES HIGH AMBIENT BAY LIGHT

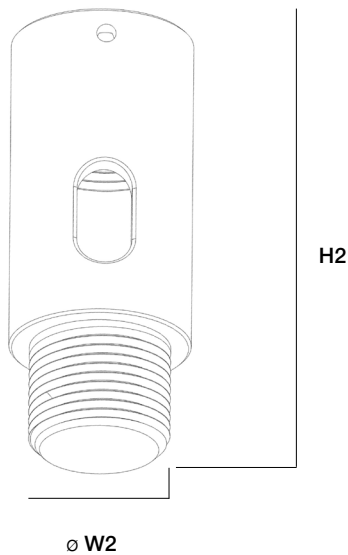
DIMENSIONS

Model	H1	H2	W1	W2
HBH-350 / 410	7.47" (190mm)		ø 24.25" (616mm)	
MOUNT-HB-PIPE-BK		3.15" (80mm)		ø 1.01" (26mm)

Luminaire



Pipe Adapter



HBH SERIES HIGH AMBIENT BAY LIGHT

PERFORMANCE DATA

SYSTEM WATTS	MAX AMBIENT TEMPERATURE	VOLTAGE	5000K	
			LUMENS	LPW
350W Set @ 140W	65°C	120-277 / 347/480V	26,600	190
350W Set @ 210W	65°C	120-277 / 347/480V	39,000	186
350W Set @ 280W	65°C	120-277 / 347/480V	51,000	182
350W Set @ 350W	55°C	120-277 / 347/480V	62,000	177
410W Set @ 164W	65°C	120-277 / 347/480V	31,000	189
410W Set @ 246W	65°C	120-277 / 347/480V	45,500	185
410W Set @ 328W	55°C	120-277 / 347/480V	59,000	180
410W Set @ 410W	55°C	120-277 / 347/480V	72,000	176

DLC CODE

Part Number	DLC Product ID	DLC Class
HBH-35050C-[DB, BK, WH] [UD,HD][Blank, SENSOR-BLE-619-L3/L4, SENSOR-ANT-6-4T]	S-J0FR6J	Premium
HBH-41050C-[DB, BK, WH] [UD,HD][Blank, SENSOR-BLE-619-L3/L4, SENSOR-ANT-6-4T]	S-2DZS5D	Premium

HBH SERIES HIGH AMBIENT BAY LIGHT

SENSOR SPEC

Model	Type	Mounting	Coverage	Input	Function	Programmable
SENSOR-ANT-6-4T SENSOR-ANT-6-4T-EM	PIR	up to 40FT	30FT radius	12V DC	On/Off/Dimming	REMOTE-RC100
SENSOR-BLE-6-4T SENSOR-BLE-6-4T-EM (see page 7 for detail)	PIR	up to 40FT	30FT radius	12V DC	Bluetooth Mesh On/Off/Dimming Daylight Harvesting	ALS Control Bluetooth Mobile App
SENSOR-ANT-6-4T-H* SENSOR-ANT-6-4T-H-EM	PIR	up to 50FT	30FT radius	12V DC	On/Off/Dimming	REMOTE-RC100
SENSOR-BLE-6-4T-H* SENSOR-BLE-6-4T-H-EM	PIR	up to 50FT	30FT radius	12V DC	Bluetooth Mesh On/Off/Dimming Daylight Harvesting	ALS Control Bluetooth Mobile App



SENSOR-ANT-6-4T
 SENSOR-ANT-6-4T-EM
 SENSOR-BLE-6-4T
 SENSOR-BLE-6-4T-EM
 SENSOR-BLE-6-4T-H
 SENSOR-BLE-6-4T-EM-H

FEATURE

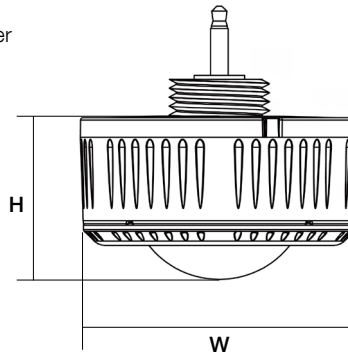
- **Installation:** Plug-N-Play via AUX socket on attached fixture
- **Commissioning:** Wirelessly through ALS Control Mobile App (iOS / Android)
- **Certification:** DLC 5.1 Networked Lighting Control System
- **Control:** Hold time, High-Low setting, continuous Bi-level dimming, Code-compliant manual-on or auto-off capability
- **Sensor:** Motion (Occupancy/Vacancy/Manual) and Daylight Harvesting
- **Room and Zone Control:** Zoning and Grouping control, Scheduling



SPECIFICATIONS

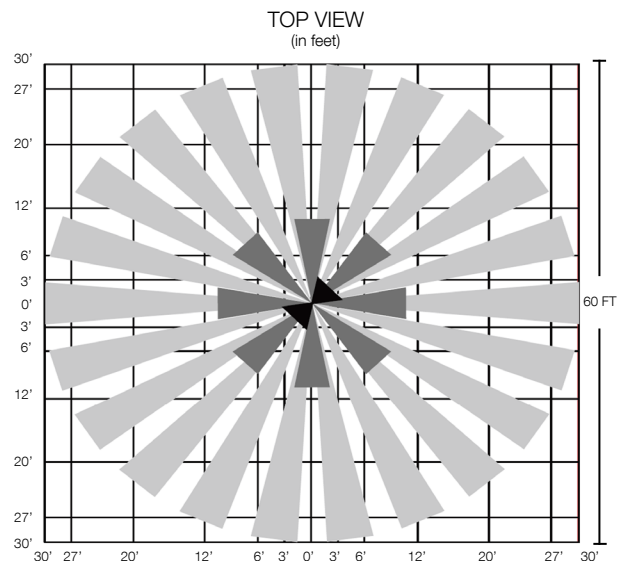
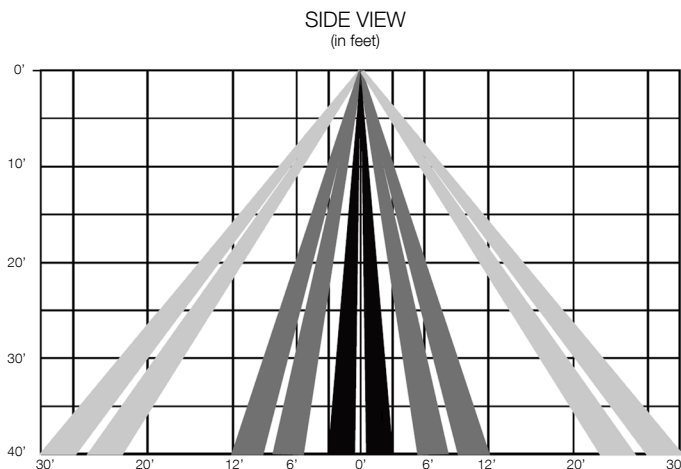
SENSOR TYPE:	Passive Infrared Sensor (PIR)
WIRELESS STANDARDS:	5.0 Bluetooth Mesh
STANDARD OPTION:	SENSOR-BLE-6-4T
EMB OPTION:	SENSOR-BLE-6-4T-EM (Designed for fixtures with emergency kit. When the voltage power is off, the sensor will stop working.)
INPUT VOLTAGE:	12-24VDC, >50mA
CONTROL OUTPUT:	0-10V
OPERATING TEMP:	-4°F ~ +140°F (-20°C ~ +60°C)
COMMISSIONING RANGE:	50FT
BLUETOOTH RANGE:	164FT
DETECTION ANGLE:	360°
MOUNTING HEIGHT:	Up to 40FT
WARRANTY:	5 years
IP RATING:	IP65
FACTORY DEFAULT SETTINGS:	100% Brightness for 5 min Dim Down to 30% Hold for 10 min Turn Off

DIMENSIONS



H	W
1.03" (26.2mm)	2.17" (55mm)

COVERAGE PATTERNS



ORDER CODES

- SENSOR-BLE-6-4T** "Plug-N-Play" Integral Bluetooth Daylight Harvesting Sensor (ALS Control Mobile App) up to 40FT MH.
- SENSOR-BLE-6-4T-EM** "Plug-N-Play" Integral Bluetooth Daylight Harvesting Sensor (ALS Control Mobile App) up to 40FT MH w/ EMB.
- SENSOR-BLE-6-4T-H** "Plug-N-Play" Integral Bluetooth Daylight Harvesting Sensor (ALS Control Mobile App) up to 50FT MH.
- SENSOR-BLE-6-4T-H-EM** "Plug-N-Play" Integral Bluetooth Daylight Harvesting Sensor (ALS Control Mobile App) up to 50FT MH w/ EMB.

