



FD SERIES COMPACT FLOOD LIGHT

Client:
Project:
Type:
Quantity:

CONSTRUCTION

Rugged die-cast aluminum housing, internal venting fins create optimal heat dissipation and allow water to drain from the face of the luminaire.
Body designed with visor trim provide optimal cutoff, used as general flood lighting or up lighting.

OPTICS

Impact resistant temper glass lens gasketed and sealed with body, maximizing protection of LED against water and dust.
Integral reflector offers NEMA 7H x 7V distribution.

ELECTRICAL

80+ CRI Lumileds LED.
-40°C up to 55°C (-40°F up to 131°F) maximum operating temperature.
Long-life 56,000hr LED at L70.
Driver operates at 120-277V input, 50/60Hz.
<20% THD, 0.9 power factor.
DC photocell included on fixture

CONTROL (OPTIONAL)

CONTROL-XFAC AVI-ON Bluetooth Zone Controller Adapter

MOUNTING

27W / 65W models
Standard with 1/2" x 14 NPS threaded adjustable knuckle mount
Optional Yoke mounting available (sold separately)

120W model
Standard with 2-3/8" slipfitter mount
Optional Trunnion mount (sold separately)

STANDARD FINISH

Corrosion resistant Dark Bronze powder coating finish.

CERTIFICATION

Meets Buy America Act requirements.
IP66 Wet location label standard.
All luminaires are built to UL1598 standards and bear appropriate cULus labels.
DLC® Premium (DesignLights Consortium Qualified)

WARRANTY

5 year warranty, see Limited Warranty for additional information.



FD Knuckle mount



FD Yoke mount

SHIPPING DATA

Product	Measurement	Weight
FD-27	9"L x 8"W x 3"H	3 lb
FD-65	11"L x 9"W x 3"H	6 lb
FD-120	20"L x 11"W x 4"H	10 lb



FD SERIES COMPACT FLOOD LIGHT

ORDER INFORMATION **EXAMPLE: FD 27 50 77 YM DB U P**

Fixture	Series	Power & LM	CCT	Distribution	Mounting	Finish	Input
	FD			77		DB	

Accessories
Options

A SERIES

FD Compact Flood Light

B POWER & LM

Code	Power	LM
27	27W	3,600
65	65W	8,900
120	120W	18,000

C CCT

SC 3000K / 4000K / 5000K Selectable

D DISTRIBUTION

77 NEMA 7H x 7V

E MOUNTING

15W / 27 / 40 / 65W

KN 1/2" Knuckle Mount (Standard for 15W / 27W / 40W / 65W)
 YM Yoke Mount (Option for 40W / 65W)

90W / 120W

SF 2-3/8" Slipfitter Mount (Standard for 90W / 120W)
 TR Trunnion Mount (Option for 90W / 120W)

F FINISH

DB Dark Bronze

G INPUT

U-P 120-277V, On / Off Photocell with Cap

H ACCESSORIES/OPTIONS (SC Model)

BAA Assembled in America, compliant with BAA (COTS)
 CONTROL-XFAC* AVI-ON Bluetooth Zone Controller Adapter

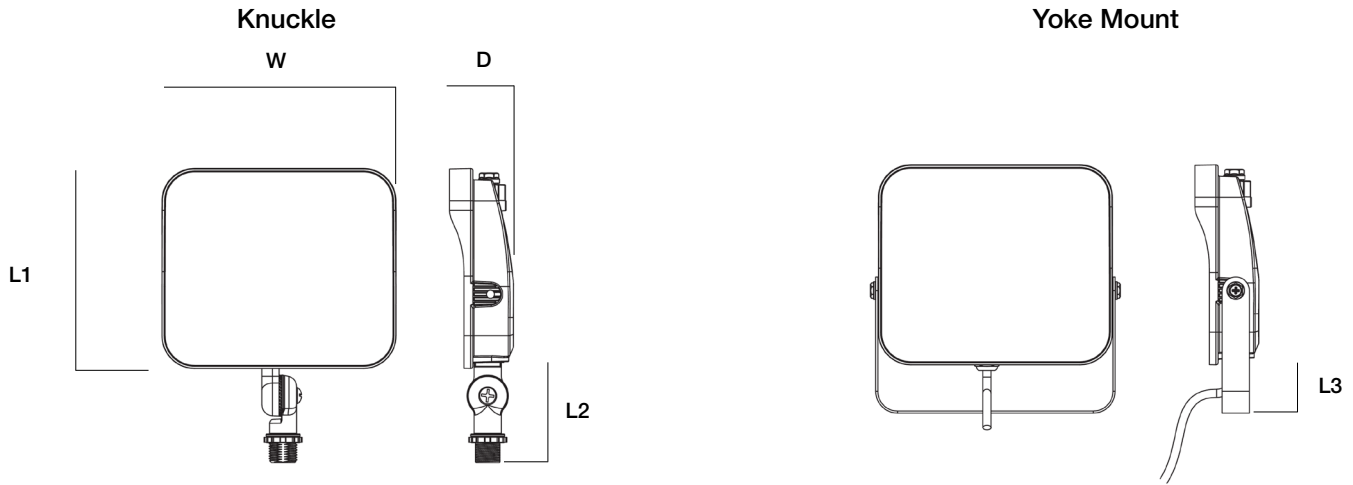
*see page 5 for sensor spec

FD SERIES COMPACT FLOOD LIGHT

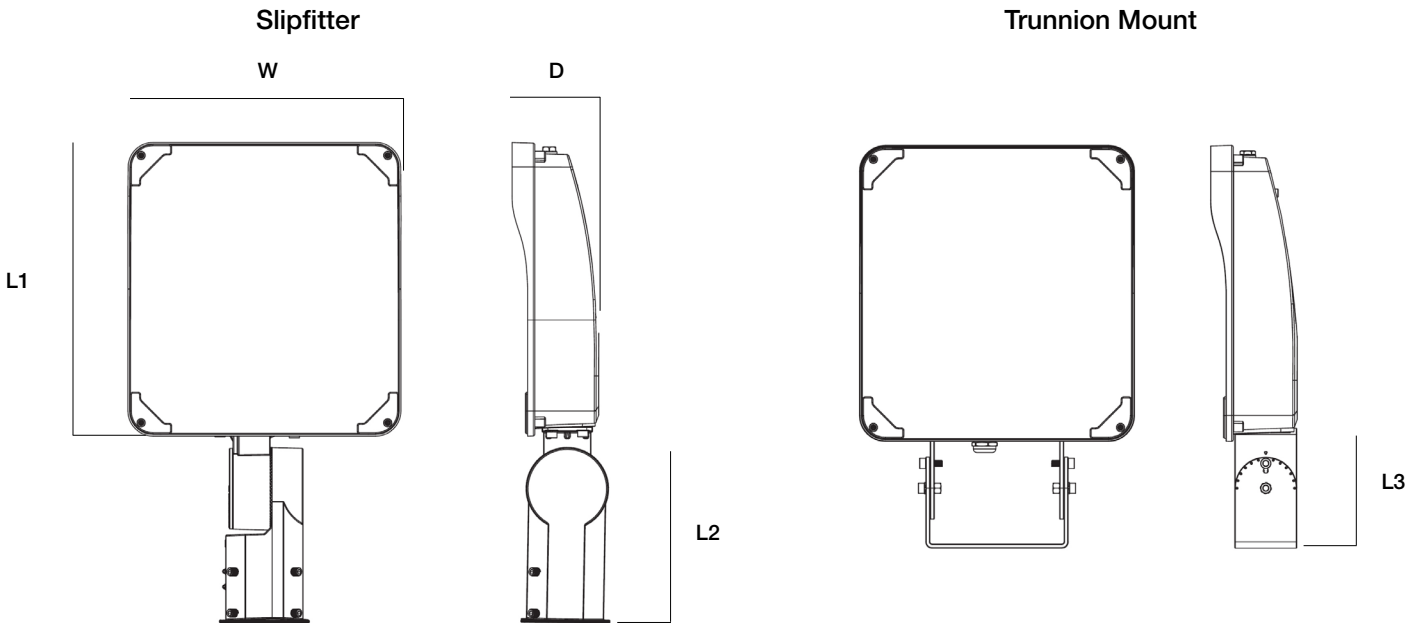
DIMENSIONS

Model	L1	L2	L3	W	D	EPA
FD-27SC	5.80" (147mm)	2.72" (69mm)	1.38" (35mm)	6.80" (172mm)	1.90" (47mm)	0.33 ft ²
FD-65SC	7.70" (197mm)	2.64" (67mm)	1.73" (44mm)	8.10" (207mm)	2.00" (52mm)	0.43 ft ²
FD-120SC	11.30" (286mm)	7.09" (180mm)	4.09" (104mm)	10.40" (266mm)	3.30" (84mm)	0.82 ft ²

FD-27SC / 65SC



FD-120SC



FD SERIES COMPACT FLOOD LIGHT

PERFORMANCE DATA

SYSTEM WATTS	VOLTAGE	DIST. TYPE	3000K		4000K		5000K	
			LUMENS	LPW	LUMENS	LPW	LUMENS	LPW
27W SC Model	120-277V	77	3510	130	3807	141	3591	133
65W SC Model	120-277V	77	9230	142	9685	149	9425	145
120W SC Model	120-277V	77	17520	146	18960	158	18000	150

DLC CODE

Part Number	DLC Part Number	DLC Class
FD - 27 SC 77 - XX DB UD	OEM DLC: MFD1127W27VDDK[B,D,W][P,Blank][KN,TR]B77[Blank,X] Product ID: P9BWWTMS	Premium
FD - 65 SC 77 - XX DB UD	OEM DLC: MFD1165W27VDDK[B,D,W][P,Blank][KN,TR]B77[Blank,X] Product ID: P9N0UWAK	Premium
FD - 120 SC 77 - XX DB UD	OEM DLC: MFD11120W27VDDK[B,D,W][P,Blank][YK,SP]B77[Blank,X] Product ID: PB3BAG06	Premium

FD SERIES COMPACT FLOOD LIGHT

SENSOR SPEC

Model	Type	Mounting	Coverage	Input	Function	Programmable
CONTROL-XFAC (see page 6 for detail)	Fixture Controller	-	-	100-277VAC	Bluetooth On/Off/Dimming Scheduling	AVI-ON Bluetooth Mobile App



CONTROL-XFAC

FD SERIES COMPACT FLOOD LIGHT

CONTROL-XFAC SPEC

Status LEDs & Config Button
 Quick and easy validation of wiring and network

General Sensor Input Port
 24V DC power and contact closure Input for standard motion sensors

Direct Connect™ Sensor Port
 Simple power and communications to Avi-on Sensors

Energy Consumption Monitoring
 0.5% Accurate measured 15 minute energy consumption

SPECIFICATIONS

INPUT VOLTAGE:	100-277VAC	RADIO FREQUENCY:	50/60Hz
CURRENT:	MIN: 20 / 14mA MAX: 81 / 46mA	RELAY CURRENT:	16A
0-10V DIMMING:	100-277VAC	PROTECTION/IMMUNITY:	LEVEL 4
SIZE:	3.58" x 3.58" x 1.57" (91mm x 91mm x 40mm)	AMPERAGE FOR 0-10V LINES:	Contact Discharge: ± 8kV Air Discharge: ±12kV 325mA / CH
STORAGE TEMP:	-40°F to + 185°F (-40°C to + 85°C)	WARRANTY:	5 years
OPERATING TEMP:	-4°F to + 113°F (-20°C to + 45°C)	REGULATORY:	FCC: 2AFZI-AVIBG21 IC: 20544-AVBG21 BQB: D059595, DID: 185220 UL 924, 2043

WIRING DIAGRAM

