



PT4A SERIES POST TOP

Client:
Project:
Type:
Quantity:

CONSTRUCTION

Low copper aluminum alloy die-cast body. Architectural appearance, low EPA wind load design. IK09 rated enclosure protects electrical equipment against external mechanical impacts. All external fasteners are stainless steel.
EPA: 0.34 sq/ft

OPTICS

Dark-Sky compliant distribution.
Light engines are available in 3000K ~ 5000K (80 CRI) selectable.
Distribution pattern field selectable between Type III, IV and V.
Molded silicone gasket throughout insures the sealing between the two compartments and provides ingress protection.
Polycarbonate lens offers exceptional light distribution and durability.
Optional Comfort lens for maximum glare reduction and visual comfort.

ELECTRICAL

80+ CRI LED.
CCT / Output / Distribution pattern field selectable - reference Ordering Information.
-40°C up to 45°C* (-40°F up to 113°F) maximum operating temperature.
L₇₀ @ 25C > 100,000hrs
50/60Hz, <20% THD, 0.9 power factor.
Built-in photocell w/cap.
Built-in 12V AUX socket for SENSOR-ANT / BLE Plug-N-Play sensor.
Driver operates at 120-277V input, 0-10V dimmable driver, down to 10%.
Optional 347/480V input.

SENSORS (OPTIONAL)

SENSOR-ANT-6-4T Plug-N-Play PIR on/off/dimming/photosensing.
SENSOR-BLE-6-4T Plug-N-Play PIR ALS Control Bluetooth/on/off/dimming/photosensing.
CONTROL-LVFA AVI-ON Bluetooth Mesh Controller.

MOUNTING

Suitable for 3" tenon, 2-3/8" tenon adapter included.
Optional for 4" and 5" tenon adapter

STANDARD FINISH

Corrosion resistant Dark Bronze powder coating finish.

CUSTOM FINISH

Corrosion resistant Black, Graphite Metallic, Gray, Silver, White, Custom RAL#.

CERTIFICATION

IP66 Wet location label standard.
Meets Buy America Act requirements.
IDA compliant: with 3000K color temperature selection.
All luminaires are built to UL1598 standards and bear appropriate cULus labels.

WARRANTY

5 year warranty, see Limited Warranty for additional information.



Standard Low Glare Optics

SHIPPING DATA

Product	Measurement	Weight
PT4A-130	21"L x 19"W x 8"H	18 lb



PT4A SERIES POST TOP

ORDER INFORMATION **EXAMPLE: PT4A 130 SC FA SF3 DB UNVD**

Fixture	Series	Power & LM	CCT	Distribution	Mounting	Finish	Input
	PT4A			5M	SF3		

A SERIES

PT4A Architectural Post Top Area Light

B POWER & LM

Code	Power	LM
130	Field Selectable 52 / 78 / 104 / 130W	Field Selectable 8,500 ~ 19,500lm

C CCT

SC Field Selectable 3000K ~ 5000K

D DISTRIBUTION / LENS

FA* Optics Lens - Field Selectable Distribution Type III, IV, V (standard)
CL* Comfort Lens

*see Pg 5 for detail

E MOUNTING

SF3** 3" Tenon Adapter - Standard (2-3/8" tenon fitting included)

**see Pg 4 for detail

F FINISH

Standard

DB Dark Bronze

Custom Color

CC	BK Black	GM Graphite Metallic	GR Gray
	SV Silver	WH White	RAL#

G INPUT

UNVD 120-277V, 0-10V Dimmable w/12V AUX Output

HVLD 347-480V, 1-10V Dimming w/12V AUX Output

ORDER INFORMATION (CONTINUED)

Accessories
 Options

H ACCESSORIES/OPTIONS

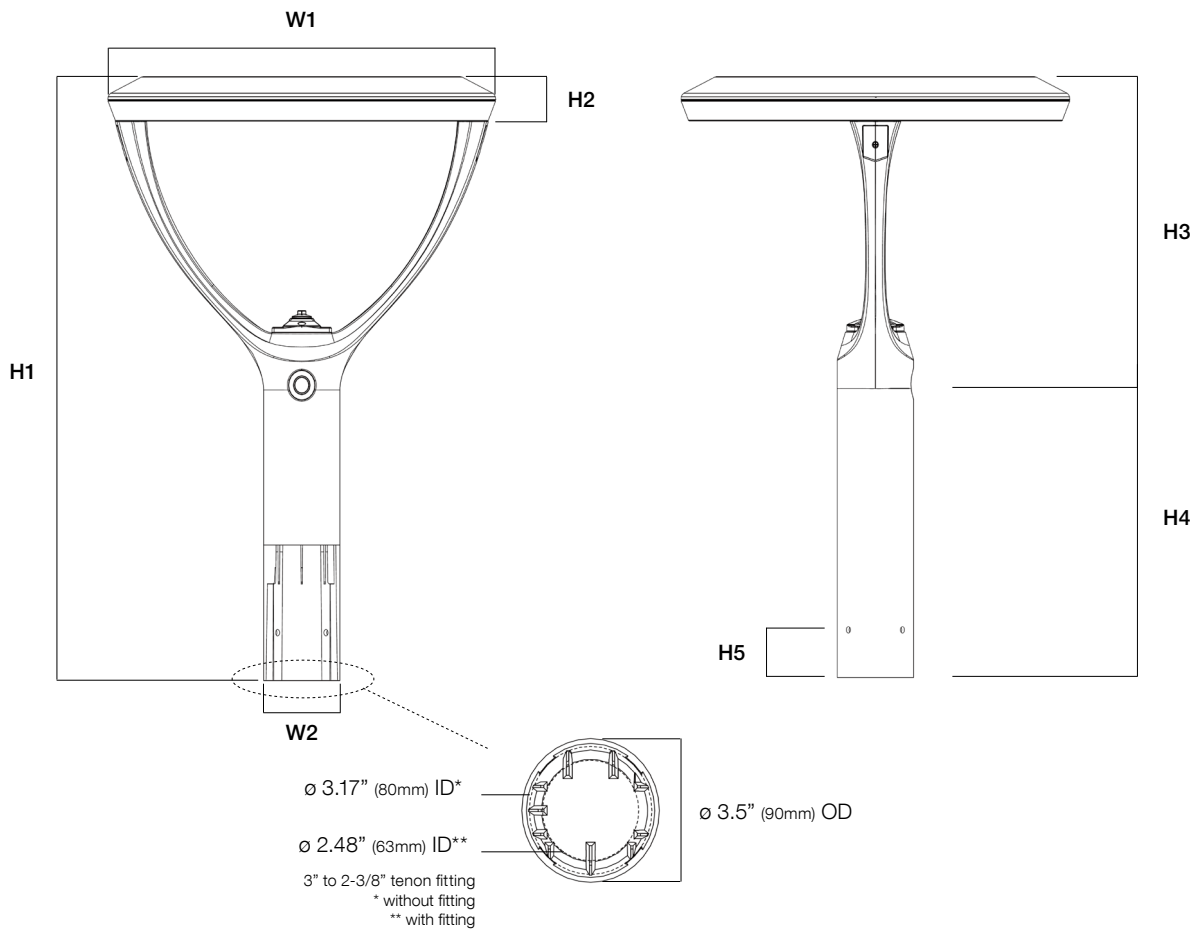
BAA	Assembled in America, compliant with BAA (COTS)
FAD	Customized Output (Consult Factory)
SENSOR-ANT-6-4T*	Plug-N-Play Motion Sensor On/off/dimming/photosensing
REMOTE-RC100	Handheld Remote Commissioning Tool for SENSOR-ANT-6-4T
SENSOR-BLE-6-4T*	Plug-N-Play Motion Sensor Bluetooth/on/off/dimming/photosensing (ALS Control Mobile App)
MOUNT-4SQR-SP-D	4" Tenon Adapter for Round Pole
MOUNT-5SQR-SP-D	5" Tenon Adapter for Round Pole
MOUNT-4SQ-SP-D	4" Tenon Adapter for Square Pole
MOUNT-5SQ-SP-D	5" Tenon Adapter for Square Pole
CONTROL-LVFA*	AVI-ON Bluetooth Mesh Control System
SURGE-LSP4-__	10kV inline Surge Protection for Universal input: U: 120-277V, High voltage input: H: 347-480V

*see page 5 for sensor spec

PT4A SERIES POST TOP

DIMENSIONS

Model	H1	H2	H3	H4	H5	W1	W2
PT4A	24.9" (632mm)	1.8" (47mm)	12.9" (328mm)	12" (304mm)	1.9" (50mm)	ø 18" (457mm)	ø 3.5" (90mm) OD ø 3.17" (80mm) ID* ø 2.48" (63mm) ID** 3" to 2-3/8" tenon fitting * without fitting ** with fitting



PT4A SERIES POST TOP

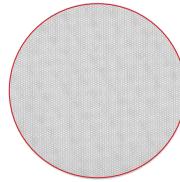
DISTRIBUTION / LENS



FA Optics

Field Selectable Distribution via Dipswitch

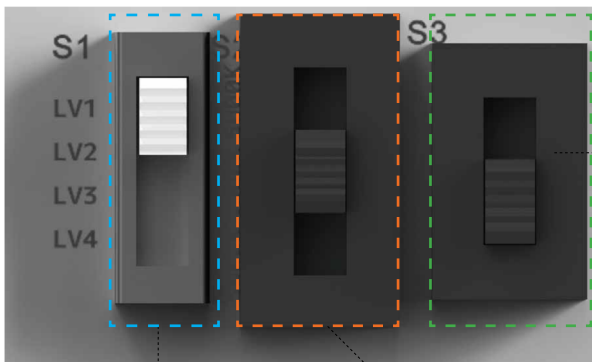
- Type III
- Type IV
- Type V



CL Lens

Ultra Low Glare
 Type V Prismatic Diffused Lens
 Maximum visual comfort and uniformity

SELECTOR CONFIGURATION



**Dipswitch 1
 Output Selector**

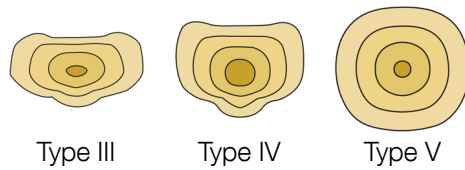
- Lvl 1 - 100%
- Lvl 2 - 80%
- Lvl 3 - 60%
- Lvl 4 - 40%

**Dipswitch 2
 CCT Selector**

- Lvl 1 - 3000K
- Lvl 2 - 4000K
- Lvl 3 - 5000K

**Dipswitch 3
 Distribution Selector**

- Lvl 1 - Type III
- Lvl 2 - Type IV
- Lvl 3 - Type V



Type III

Type IV

Type V

PT4A SERIES POST TOP

PERFORMANCE DATA

SYSTEM WATTS	DIST. TYPE	3000K			4000K			5000K		
		LUMENS	LPW	BUG RATING	LUMENS	LPW	BUG RATING	LUMENS	LPW	BUG RATING
PT4A-130 @ 52W	III	7685	148	B3-U0-G3	8325	165	B3-U0-G3	7898	152	B3-U0-G3
	IV	8034	159	B3-U0-G3	8704	176	B3-U0-G3	8257	162	B3-U0-G3
	V	7833	151	B3-U0-G1	8486	169	B3-U0-G1	8051	155	B3-U0-G1
PT4A-130 @ 78W	III	11207	144	B3-U0-G3	12141	161	B3-U0-G3	11518	148	B3-U0-G3
	IV	11717	154	B3-U0-G3	12693	171	B3-U0-G3	12042	158	B3-U0-G3
	V	11423	147	B3-U0-G2	12375	164	B3-U0-G2	11741	151	B3-U0-G2
PT4A-130 @ 104W	III	13662	132	B3-U0-G3	14800	147	B3-U0-G3	14041	135	B3-U0-G3
	IV	14283	141	B3-U0-G3	15473	157	B4-U0-G4	14680	144	B3-U0-G3
	V	13926	135	B4-U0-G2	15086	150	B4-U0-G2	14312	138	B4-U0-G2
PT4A-130 @ 130W	III	16544	128	B3-U0-G3	17922	142	B4-U0-G4	17003	131	B3-U0-G3
	IV	17296	137	B4-U0-G4	18737	152	B4-U0-G4	17776	140	B4-U0-G4
	V	16863	130	B4-U0-G2	18268	145	B4-U0-G2	17331	133	B4-U0-G2

DLC CODE

Part Number	DLC Part Number	DLC Class
PT4A - 130 SC 5M -SF3 - XX UD 130W 3000K Selection	pending	Premium
PT4A - 130 SC 5M -SF3 - XX UD 130W 4000K Selection	pending	Premium
PT4A - 130 SC 5M -SF3 - XX UD 130W 5000K Selection	pending	Premium

PT4A SERIES POST TOP

SENSOR SPEC

Model	Type	Mounting	Coverage	Input	Function	Programmable
SENSOR-ANT-6-4T (see page 8 for detail)	PIR	up to 40FT	30FT radius	12V DC	On/Off/Dimming	REMOTE-RC100
SENSOR-BLE-6-4T (see page 10 for detail)	PIR	up to 40FT	30FT radius	12V DC	Bluetooth Mesh On/Off/Dimming Daylight Harvesting	ALS Control Bluetooth Mobile App
CONTROL-LVFA (see page 11 for detail)	Fixture Controller	-	-	12V DC	Bluetooth Mesh On/Off/Dimming Scheduling	AVI-ON Bluetooth Mobile App



SENSOR-ANT-6-4T
 SENSOR-BLE-6-4T



CONTROL-LVFA

FEATURE

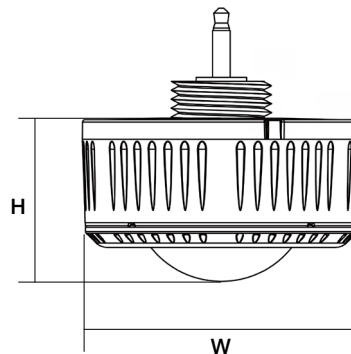
- **Installation:** Plug-N-Play via AUX Socket on Attached Fixture
- **Commissioning:** through Remote Control
- **Control:** Hold time, High-Low setting, Continuous Bi-Level Dimming, Code-Compliant Manual-On or Auto-Off Capability
- **Sensor:** Motion (Occupancy/Vacancy/Manual) and Daylight



SPECIFICATIONS

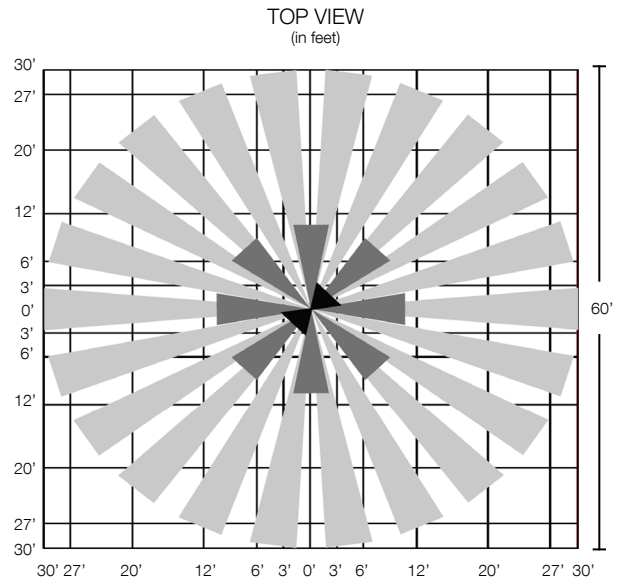
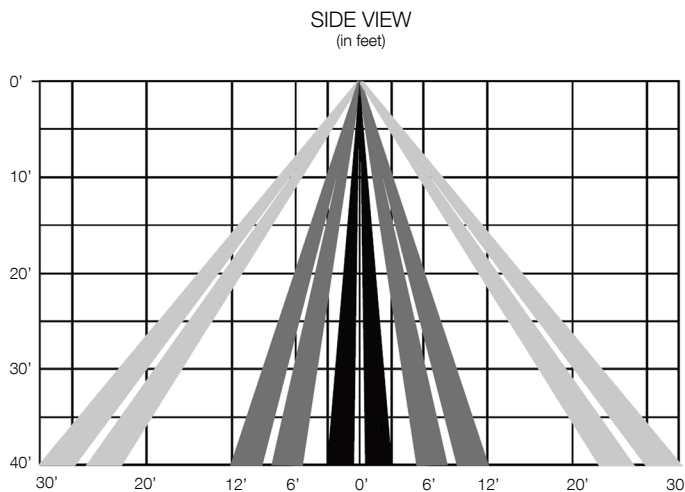
- SENSOR TYPE:** Passive Infrared Sensor (PIR)
STANDARD OPTION: SENSOR-ANT-6-4T
EMB OPTION: SENSOR-ANT-6-4T-EM
 (Designed for fixtures with emergency kit. When the voltage power is off, the sensor will stop working.)
INPUT VOLTAGE: 12-24VDC, >30mA
LIGHT CONTROL: 10 ~ 50LUX
CONTROL OUTPUT: 0-10V
OPERATING TEMP: -4°F ~ +140°F (-20°C ~ +60°C)
COMMISSIONING RANGE: 50FT from Remote Control
TIME SETTING: 10sec ~ 60min (adjustable)
DETECTION ANGLE: 360°
MOUNTING HEIGHT: Up to 50FT.
WARRANTY: 5 years
IP RATING: IP65

DIMENSIONS



H	W
1.03" (26.2mm)	2.17" (55mm)

COVERAGE PATTERNS



ORDER CODES

- SENSOR-ANT-6-4T** Plug-N-Play PIR on/off/dimming/photosensing up to 40FT MH
SENSOR-ANT-6-4T-EM Plug-N-Play PIR on/off/dimming/photosensing for EMB application up to 40FT MH
SENSOR-ANT-6-4T-H Plug-N-Play PIR on/off/dimming/photosensing up to 50FT MH
SENSOR-ANT-6-4T-H-EM Plug-N-Play PIR on/off/dimming/photosensing for EMB application up to 50FT MH



FEATURE

The Remote control wireless IR configuration tool is a handheld tool for remote configuration of IR-enabled fixture integrated sensors. The tool enables device to modify via push button and stores up to four sensor parameter modes to speed configuration of multiple sensors.

	PROGRAMMABLE	RESET
COMPATIBLE SENSORS	SENSOR-ANT-6-4T SENSOR-ANT-6-4T-EM SENSOR-ANT-6-4T-H SENSOR-ANT-6-4T-H-EM SENSOR-ANT-7 SENSOR-ANT-3C-B1 SENSOR-819-D1/D2 SENSOR-823 SENSOR-820	SENSOR-BLE-6-4T SENSOR-BLE-7 SENSOR-BLE-7D SENSOR-BLE-819 SENSOR-BLE-619 CONTROL-BLE-5-4T WALLSWITCH-BLE-101 WALLSWITCH-BLE-204



Dimension

L - 4.84" (123mm)
W - 2.76" (70mm)
H - .80" (20.3mm) Thickness

SPECIFICATION

Carrying Case

RC-100 in Carrying Case

Commissioning Range

Up to 50FT (15mm)

Operating Temp

32F ~ 122F (0°C ~ 50°C)

Power

2 x AAA 1.5V Alkaline batteries

BRIGHTNESS

Set output level (in 70%, 80%, 90%, or 100%) of connected lighting during occupancy.

SENSITIVITY

Set the sensitivity (in 20%, 50%, 75%, or 100%) of the occupancy sensor.

HOLD TIME

Set the time (in 10s, 1m, 5m, 10m, 16m, 20m, 30m, or 60m) that the fixture will hold at normal output after the space is vacant.

DAYLIGHT SENSOR

Set the threshold of natural light (in 10, 30, or 50) as setpoint to light on automatically for the sensor. If natural light is above the selected threshold, fixture will shut off. Set daylight (in 100, 300, 500) as setpoint to light off.

STAND-BY DIM/TIME

DIM: Set the output level (in 0%, 10%, 30%, or 50%) of the fixture during vacancy. This will only take place after Hold Time has elapsed.

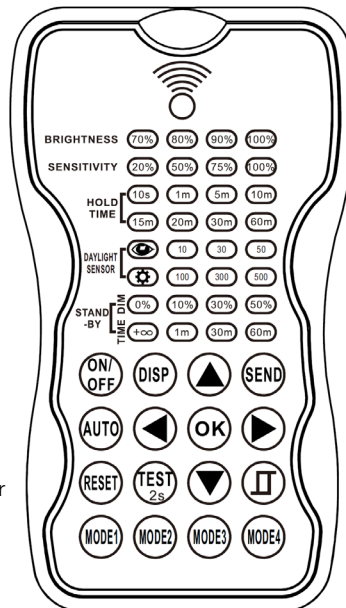
TIME: Set the time (+∞, 1m, 30m, or 50m) that the sensor will remain in stand-by mode before powering down.

ON/OFF

Use this to manually power a fixture on or off.

AUTO

Press Auto to engage/unlock a sensor. Press Auto, then press Display to show the sensors current setting parameters.



DISPLAY

Press to Display to view current setting parameters for each function. LED indicators will highlight current settings.

DIRECTIONAL ARROWS

Use the arrows to navigate the setting options by pressing up/down or left/right.

SEND

Press Send to upload displayed settings to individual sensor/fixture. The fixture will blink on and off to confirm new settings.

SMART DAYLIGHT SENSOR

Open and or close smart daylight sensor. Press up/down arrows buttons to enter setting condition, the parameters LEDs of remote control will flash to be selected.

TEST

Used to test sensitivity of occupancy sensing. Press Test, then the fixture will enter Test Mode, where Hold Time is only 2s. While Test Mode is active, Stand-By and Daylight sensing will be disabled. Press Auto to exit Test Mode.

RESET

Press Reset to put all parameters back to default settings.

MODE

Press the Mode # that you want to save. Use Directional Arrows to select new parameters. Press OK to confirm.



SENSOR-BLE-6-4T BLUETOOTH PIR SENSOR

Client:
Project:
Type:
Quantity:

FEATURE

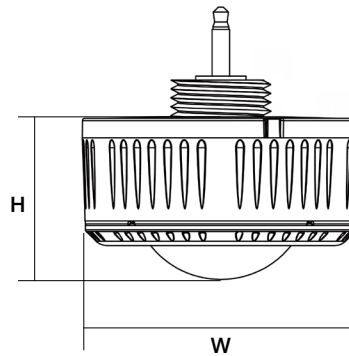
- **Installation:** Plug-N-Play via AUX socket on attached fixture
- **Commissioning:** Wirelessly through ALS Control Mobile App (iOS / Android)
- **Certification:** DLC 5.1 Networked Lighting Control System
- **Control:** Hold time, High-Low setting, continuous Bi-level dimming, Code-compliant manual-on or auto-off capability
- **Sensor:** Motion (Occupancy/Vacancy/Manual) and Daylight Harvesting
- **Room and Zone Control:** Zoning and Grouping control, Scheduling



SPECIFICATIONS

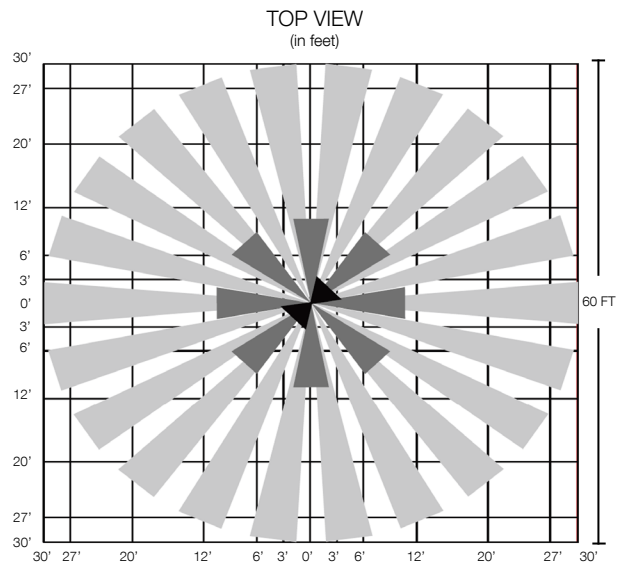
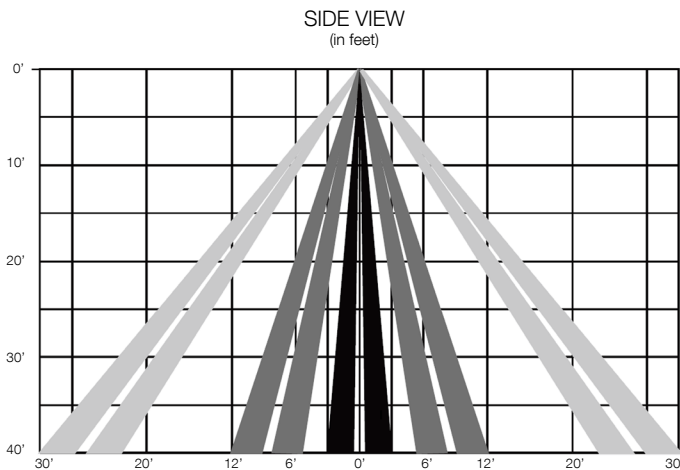
SENSOR TYPE:	Passive Infrared Sensor (PIR)
WIRELESS STANDARDS:	5.0 Bluetooth Mesh
INPUT VOLTAGE:	12-24VDC, >50mA
CONTROL OUTPUT:	0-10V
OPERATING TEMP:	-4°F ~ +140°F (-20°C ~ +60°C)
COMMISSIONING RANGE:	50FT
BLUETOOTH RANGE:	164FT
DETECTION ANGLE:	360°
MOUNTING HEIGHT:	Up to 40FT
WARRANTY:	5 years
IP RATING:	IP65

DIMENSIONS



H	W
1.03" (26.2mm)	2.17" (55mm)

COVERAGE PATTERNS



PT4A SERIES POST TOP

CONTROL-LVFA SPEC

Status LEDs & Config Button

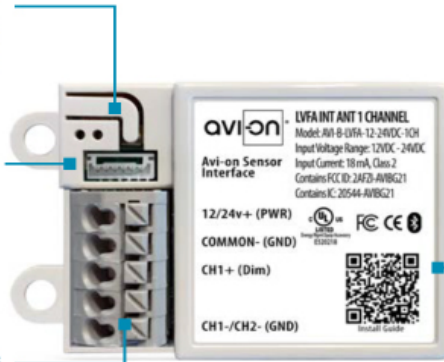
Quick and easy validation of wiring and network

Direct Connect™ Sensor Port

Simple and cost-effective addition to Avi-on sensors

Terminal Blocks & Mounting Tabs

Faster, easier and lower cost installation eliminating connectors



Internal Antenna

Improved performance and eliminates risk of accidentally cutting a hanging wire

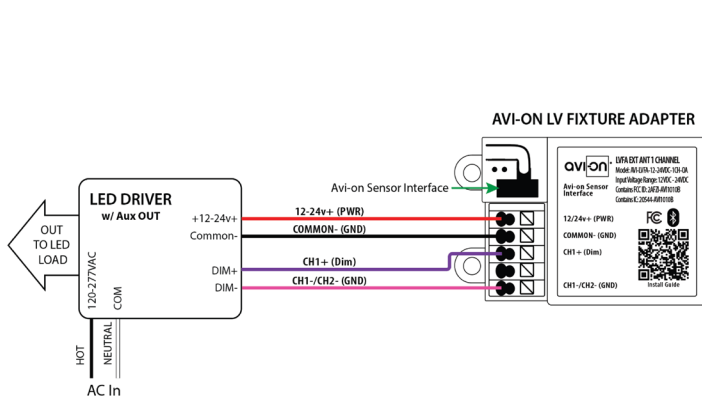
SPECIFICATIONS

INPUT VOLTAGE: 12-24VDC
CURRENT: 15mA without a Sensor
 19mA with a DC PIR Sensor
 48mA with a DC Microwave Sensor
0-10V DIMMING: 12-24VDC
SIZE: 2.30in x 1.43in x 0.75in
 (58.2mm x 36.4mm x 19mm)
MOUNTING: Removable mounting tabs
WEIGHT: 0.45 oz (16g)
OPERATING TEMP: -22°F to +158°F (-30°C to + 70°C)

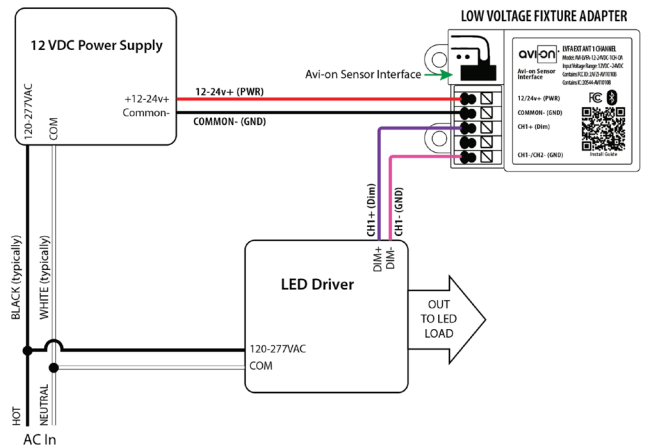
RADIO FREQUENCY: 2.4GHz
WIRELESS STANDARD: BLE 4.2 with Mesh
POINT TO POINT RANGE*: 80ft with obstructions
 350ft unobstructed
SECURITY: AES 128-bit encryption for device to device communication
 AES 256-bit encryption for device to cloud communication
 5 years; 10 years optional
WARRANTY: FCC: 2AFZI-AVI1010 B
 IC: 20544-AVI1010 B
 BQB: D031801, DID: 86303
 UL 916, 2043 (Plenum Rated)

*When communicating through the mesh, range is essentially unlimited (5000ft+)

WIRING DIAGRAM



Fixture adapter powered by LED driver auxiliary output



Fixture adapter connected to LED driver and using power supply