

PLEASE READ AND FOLLOW ALL SAFETY INSTRUCTIONS**SAVE THIS SHEET****To Avoid Risk of Electric Shock and Injury**

- Never attempt any work on the luminaire unless it is disconnected from the power source.
- Any installation and service of the luminaire should be done by a certified electrician.
- Confirm the supply voltage matches the voltage labeled on the luminaire.
- Make sure all electrical and grounded connections are in accordance with the National Electric Code (NEC) and any local codes.
- Make sure all connections are capped with UL-listed wire connectors.
- Allow luminaire to cool down before handling. Never handle luminaire when it is in use.
- Do not exceed the maximum wattage labeled on luminaire.
- Always wear gloves and safety glasses when installing, handling, or performing routine maintenance on the luminaire.
- Do not look directly at the light source when luminaire is on.

To Avoid Risk of Fire and Product Damage

- Keep any combustible material away from the luminaire.
- Do not operate luminaire near any persons, materials, or substances that are sensitive to heat.
- When mounting, make sure wiring is secured from any edges or objects that can damage the wire insulation.
- Do not obstruct ventilation of the luminaire. Do not cover the luminaire with foam or other insulation material that will restrict convection or conduction cooling.
- Only use luminaire at its intended location.
- LED fixtures are sensitive to polarity. Make sure to identify proper polarity before installing.
- Electrostatic Discharge (or ESD) can damage LED luminaire. Make sure to always wear personal grounding equipment when installing or servicing the luminaire.
- Avoid touching individual electrical components, which can cause ESD and will reduce the life and performance of the luminaire.
- Do not power luminaire on and off frequently as this will greatly reduce luminaire's lifespan.
- Always read the luminaire's complete installation instruction sheet before installing luminaire.
- Always inspect the luminaire for damage. DO NOT INSTALL fixture if there is any damage. Contact your distributor or representative where you purchased the luminaire for warranty claim if luminaire is damaged.

To Maintain Luminaire and Ensure Consistent Performance

- **IMPORTANT: Always make sure luminaire is disconnected from power source when performing routine maintenance.**
- Occasionally clean luminaire lens. When cleaning lens, you may dust with soft, dry and clean cloth. You may also use solution of warm water and non-abrasive cleaning agent then wipe with dry cloth. DO NOT USE alkaline or acid cleaners.
- Keep heatsink clear of dust or debris from time to time.
- Maintaining the luminaire on a routine basis is highly recommended.

Failure to follow any of these instructions may void warranty.

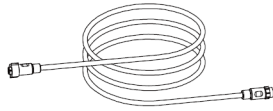
Please visit www.alslighting.us to view complete product Terms and Conditions.

Advantage Lighting Solutions assumes no responsibility for claims arising from improper or careless installation or handling of its products.

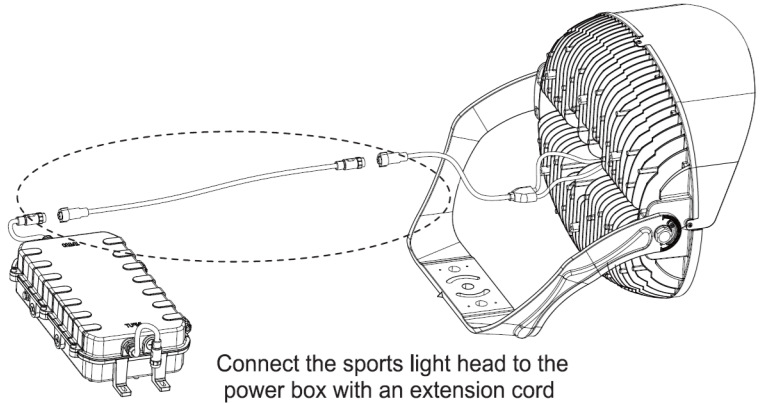
Important Safety Instructions

1. Make sure power is turned OFF before installing.
2. Inspect fixture for any damages. If damaged, DO NOT install fixture and contact local ALS distributor immediately.

Installation Instructions
Driver enclosure remote

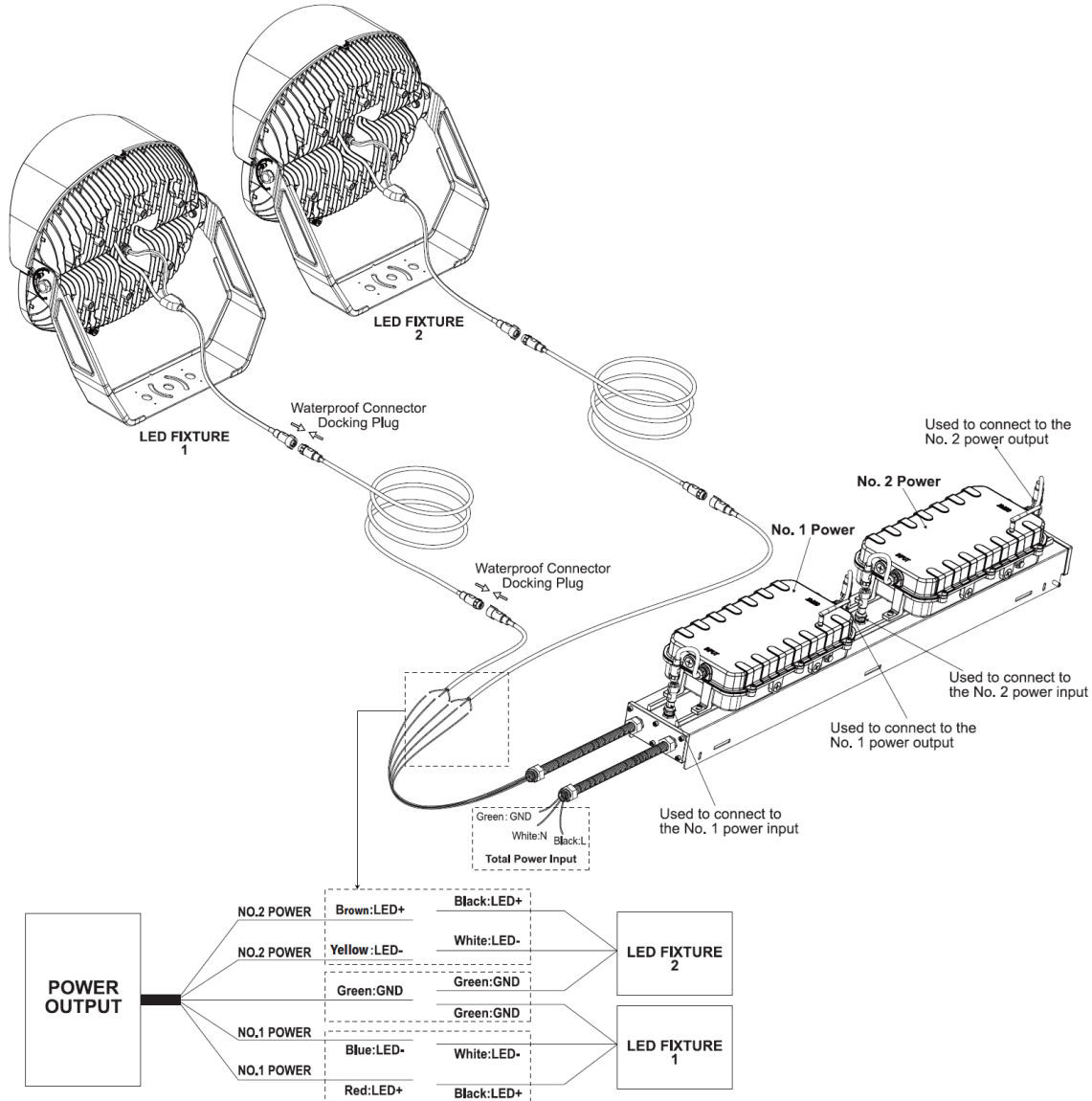


Note: The maximum cord length 50m or 164ft (sold separately)



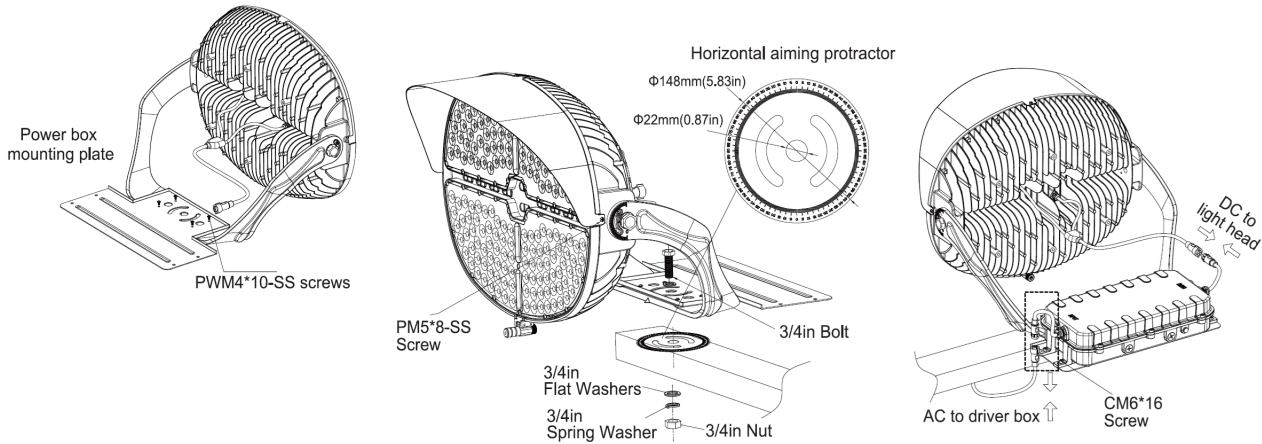
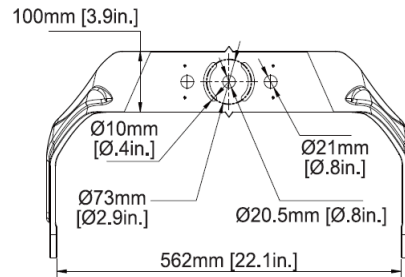
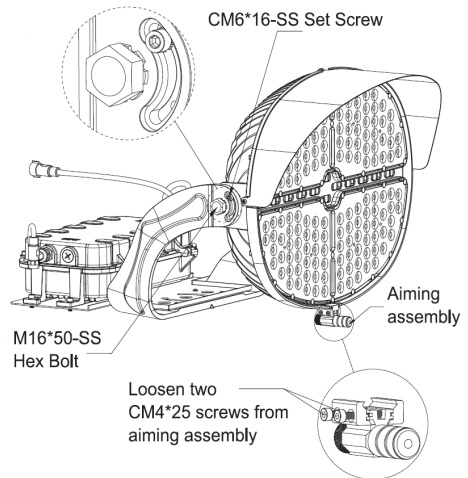
Connect the sports light head to the power box with an extension cord

Multiple fixtures remote



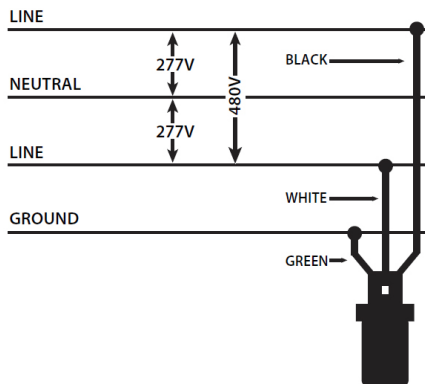
Installation Instructions
Driver enclosure attached

1. Install the power box mounting plate on the fixture as shown, and secure with 4 x screws
2. Align the center hole of the horizontal aiming protractor, and attach it to the bracket.
3. Secure the visor on the fixture with 3 x screws.
4. Install the laser aiming assembly to the key hole slot on the fixture, and tighten the 2 x screws to secure.
5. Drill appropriate knockout according to the size of the mounting bracket.
6. Set the fixture in place and install the bolts, washers, spring washers, and nut to secure the fixture.
7. Install the driver box to the mounting plate by securing with 4 x screws, and make the wiring connection by tightening the water tight wire connectors until fully sealed.
8. Slightly loosen the fixture aiming screws just enough to allow the fixture to rotate and tilt. Use the horizontal aiming protractor and laser aiming assembly to adjust the fixture aim, and tighten all bolts and screws to secure when completed.

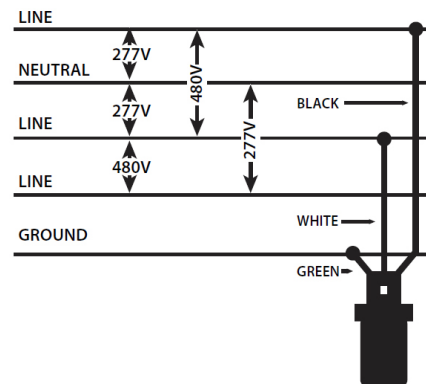


Wiring Diagram

Single-Phase Non-Grounding: 3Ø 277V

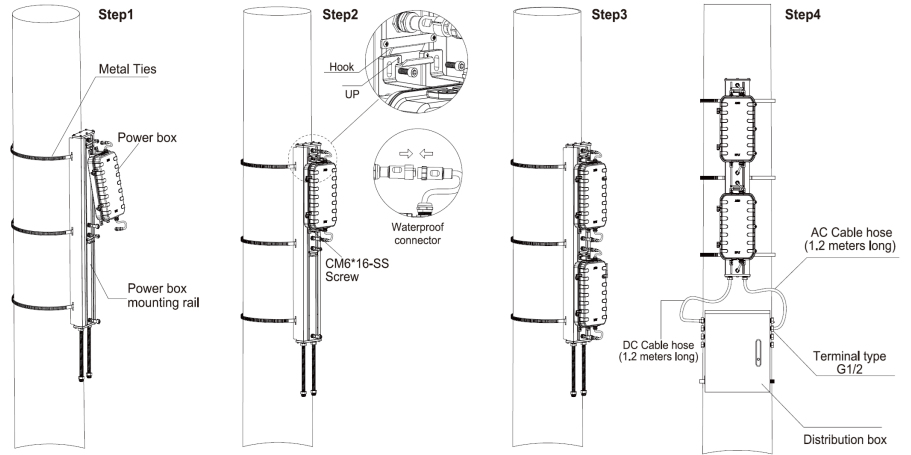


3-Phase Non-Grounding: 3Ø 277/480V



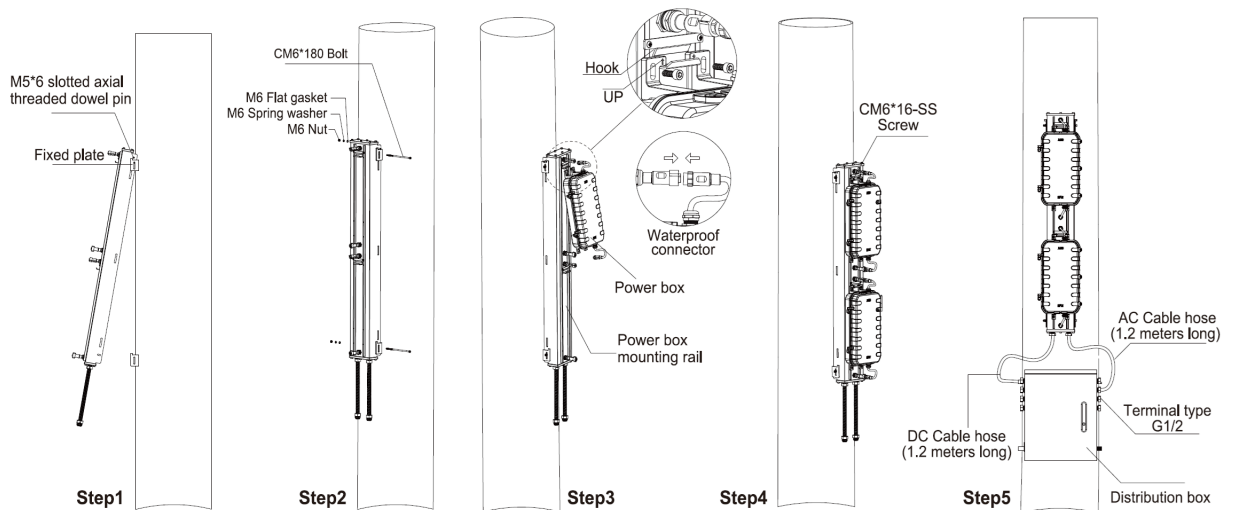
**Installation Instructions
 Driver Power Box Mounting with metal straps**

1. Secure the driver power box mounting rail to the light pole through 3 metal straps. (sold separately or supplied by others)
2. Attach the driver power box on the hook of the mounting rail (arrow direction facing up), then secure the screws and tighten the waterproof connectors.
3. The driver power box mounting rail would get the input power from the Distribution Box (by others), and output DC back to the Distribution Box.
4. The driver power box mounting rail input and output DC cables through the metal conduit.



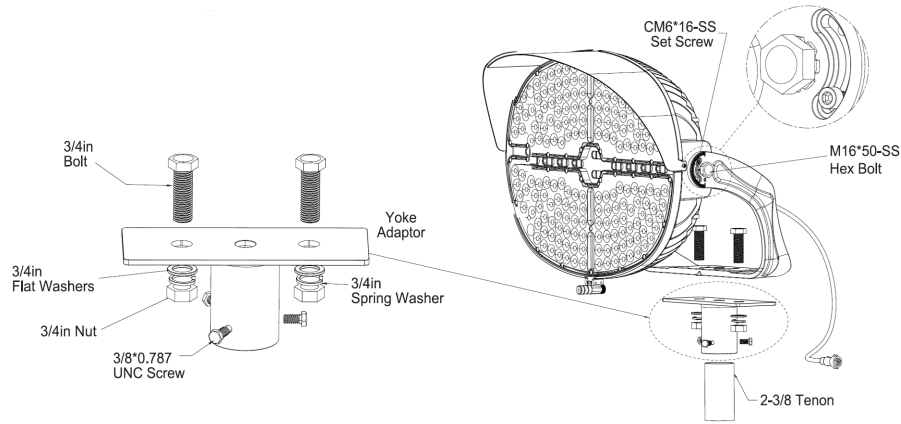
**Installation Instructions
 Driver Power Box Mounting with metal plate**

1. Secure the driver power box mounting rail to the light pole using the 2 x dowel pins.
2. Use the 2 x bolts to tighten the driver power box mounting rail.
3. Attach the driver power box on the hook of the mounting rail (arrow direction facing up), then secure the screws and tighten the waterproof connectors.
4. The driver power box mounting rail would get the input power from the Distribution Box (by others), and output DC back to the Distribution Box.
5. The driver power box mounting rail input and output DC cables through the metal conduit.



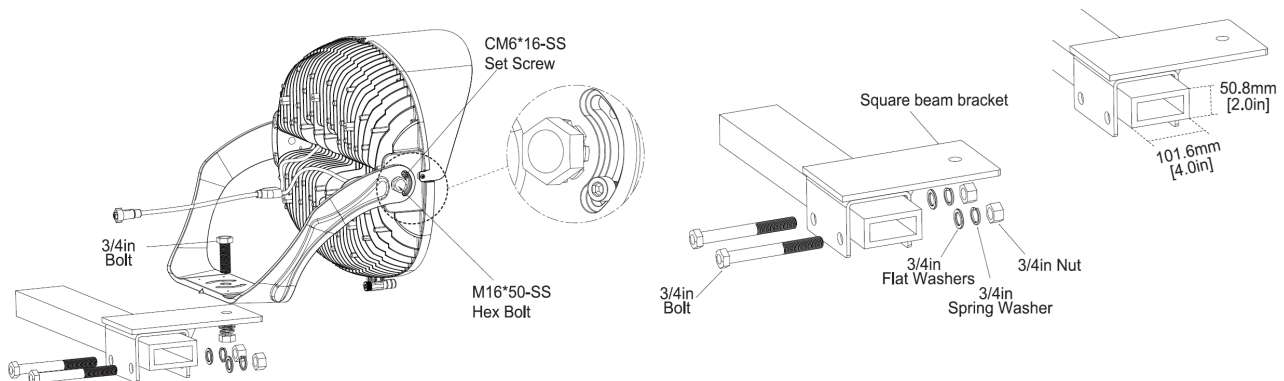
**Installation Instructions
 Yoke Mount Adapter**

1. Align the center hole of the horizontal aiming protractor, and attach it to the bracket.
2. Secure the visor on the fixture with 3 x screws.
3. Install the laser aiming assembly to the key hole slot on the fixture, and tighten the 2 x screws to secure.
4. Secure the yoke adapter on the mounting bracket with 2 x bolts, spring washers, and nuts as shown. Slide the fixture into the 2-3/8 tenon, and secure it with 3 x screws, and make the wiring connection by tightening the water tight wire connectors until fully sealed.
5. Slightly loosen the fixture aiming screws just enough to allow the fixture to rotate and tilt. Use the horizontal aiming protractor and laser aiming assembly to adjust the fixture aim, and tighten all bolts and screws to secure when completed.



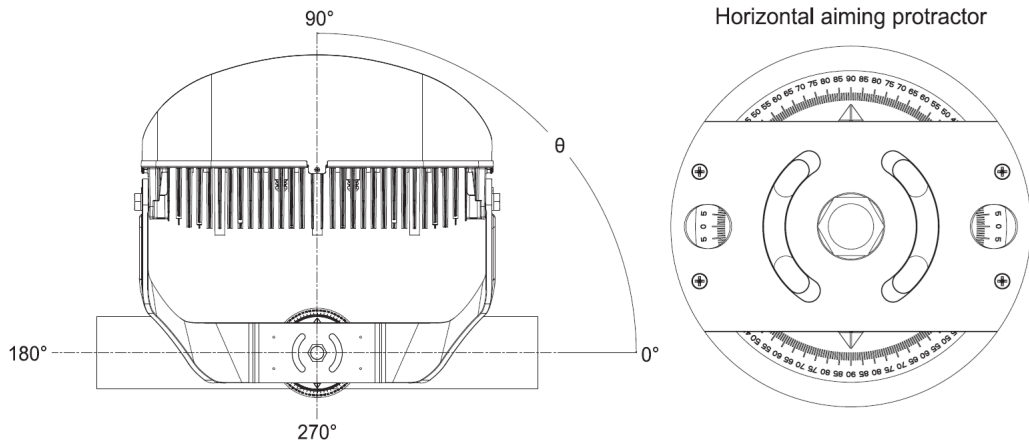
**Installation Instructions
 Square Beam Adapter**

1. Align the center hole of the horizontal aiming protractor, and attach it to the bracket.
2. Secure the visor on the fixture with 3 x screws.
3. Install the laser aiming assembly to the key hole slot on the fixture, and tighten the 2 x screws to secure.
4. Place the square beam adapter on top of cross arm (supplied by others), and secure the the fixture by inserting both clamping hex bolts through washer, bracket, lock washer, and hex nuts as shown.
5. Set the fixture in place, and secure the fixture with 2 x bolts, washers, spring washers, and nut, and make the wiring connection by tightening the water tight wire connectors until fully sealed.
6. Slightly loosen the fixture aiming screws just enough to allow the fixture to rotate and tilt. Use the horizontal aiming protractor and laser aiming assembly to adjust the fixture aim, and tighten all bolts and screws to secure when completed.



Installation Instructions
Tilt Orientation

1. The Orient angle refers to the direction of the fixture face in the Z plane. When the fixture is mounted, keep the mounting nut slightly loosened so that the entire fixture could spin to set around the mounting bolt. Set the fixture Orient by rotating the fixture mounting bracket relative to the mounting structure.



2. The Tilt angle refers to the direction of the fixture face in the Y plane. When the fixture is mounted, make sure the mounting bracket does not move. The nut on the side can be loosened, so that the fixture may rotate upward on the mounting bracket. Set the tilt angle of the fixture by rotating the fixture housing relative to the fixture mounting bracket.

