

**WBA SERIES FORWARD THROW ADJUSTABLE**

Client:  
 Project:  
 Type:  
 Quantity:

**CONSTRUCTION**

Cast aluminum frame holds lens and seals to housing gasket with two stainless steel screws. Door assembly hinges to side, cast aluminum housing with three 1/2" conduit entries (on top and sides), for surface conduit. Casting thermally conducts LED heat to optimize performance and long life.

**OPTICS**

UV stabilized polycarbonate refractor softens LED image and provides uniform distribution and glare control. Click-adjustable throw allows field set the distribution angle (0°, 15°, 30°, 45°). CCT and output selectable between 3000K ~ 5000K configuration settings.

**ELECTRICAL**

80+ CRI Lumileds LED.  
 -40°C up to 40°C (-40°F up to 104°F) maximum operating temperature.  
 150,000hr LED at L70 @ 25°C, 120,000hr LED at L70 @ 40°C.  
 Driver operates at 120-277V input, 50/60Hz, <15% THD, 0.9 power factor >90%.  
 0-10V dimming driver, button photocontrol standard included.  
 Four adjustable Wattage levels available for each model.  
 Optional 10kV surge protector.  
 Optional Self-Diagnostic emergency back up.  
 Optional Self-Diagnostic Sub-Zero emergency back up.

**SENSORS (OPTIONAL)**

CONTROL-LVFA AVI-ON Bluetooth Mesh Controller.  
 CONTROL-BLE-SK104-PH ALS Bluetooth Fixture Controller.

**MOUNTING**

Wall mount over electrical box or via surface conduit.

**STANDARD FINISH**

Corrosion resistant Dark Bronze powder coating finish.

**CUSTOM FINISH**

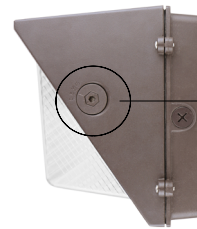
Black, Graphite Metallic, Gray, Silver, and White, or custom RAL#

**CERTIFICATION**

Wet Location listed.  
 TAA compliant.  
 Meets Buy America Act requirements.  
 IDA compliant: with 3000K color temperature selection.  
 All luminaires are built to UL1598 standards and bear appropriate cULus labels.  
 For Emergency application, equipped with UL924 certified battery packs.  
 DLC® Premium (DesignLights Consortium Qualified) listed.

**WARRANTY**

5 year warranty, see Limited Warranty for additional information.



Forward Throw Adjustable Dial

- 0°
- 15°
- 35°
- 45°

**SHIPPING DATA**

Product	Measurement	Weight
WBA-60	15"L x 8"W x 10"H	10 lb
WBA-100	15"L x 8"W x 10"H	10 lb
WBA-150	19"L x 10"W x 10"H	13 lb



**WBA SERIES FORWARD THROW ADJUSTABLE**

**ORDER INFORMATION** **EXAMPLE: WBA 150 MC DB UNVD P**

Fixture	Series	Power & LM	CCT	Finish	Input	Sensor
	<b>WBA</b>		<b>SC</b>			<b>P</b>

Accessories  
Options

**A SERIES**

**WBA** Forward Throw Adjustable Wall Pack

**B POWER & LM**

Code	Power	LM
<b>60</b>	Selectable 24W / 36W / 48W / 60W	3,900lm ~ 8,900lm
<b>100</b>	Selectable 40W / 60W / 80W / 100W	6,000lm ~ 14,000lm
<b>150</b>	Selectable 60W / 90W / 120W / 150W	9,000lm ~ 22,000lm

**C CCT**

**SC** Selectable: 3000K / 4000K / 5000K

**D FINISH**

Standard

**DB** Dark Bronze

Custom Color

<b>CC</b>	<b>BK</b> Black	<b>GM</b> Graphite Metallic	<b>GR</b> Gray
	<b>SV</b> Silver	<b>WH</b> White	<b>RAL#</b>

**E INPUT**

<b>UNVD-P</b>	120-277V, 0-10V Dimming, with Photocell
<b>HVLD-P</b>	347-480V, 1-10V Dimmable, with Photocell

**G ACCESSORIES/OPTIONS**

<b>BAA</b>	Assembled in America, compliant with BAA (COTS)
<b>EMB-8W-B**</b>	90-Minute Self-Diagnostic Emergency Battery 8W 100-347VAC Input 170VDC Output (only for WBA-80)
<b>EMB-18W-B**</b>	90-Minute Self-Diagnostic Emergency Battery 18W 100-347VAC Input 170VDC Output
<b>EMB-18W-C-B**</b>	90-Minute Self-Diagnostic Emergency Battery 18W 100-347VAC Input 170VDC Output -20°C-50°C (-4°F-122°F)
<b>SURGE-LSP4-U / H</b>	10kV inline Surge Protection for Universal input / <b>U</b> : 120-277V, <b>H</b> : 480V input
<b>CONTROL-BLE-SK104-PH</b>	Integral Bluetooth Fixture Controller w/Button Photocell (ALS Control Mobile App)
<b>CONTROL-LVFA*</b>	AVI-ON Bluetooth Mesh Control System

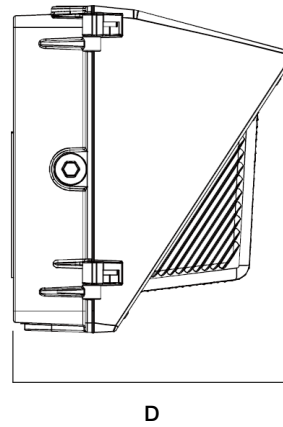
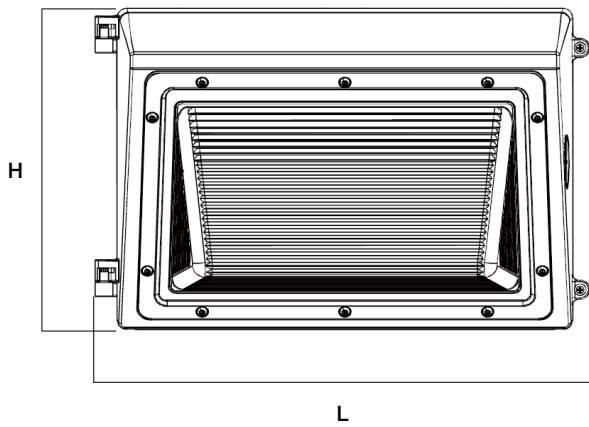
\*see page 5 for sensor spec

\*\*see page 6 for emb spec

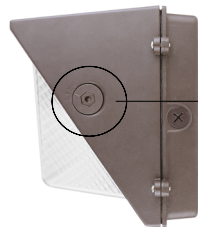
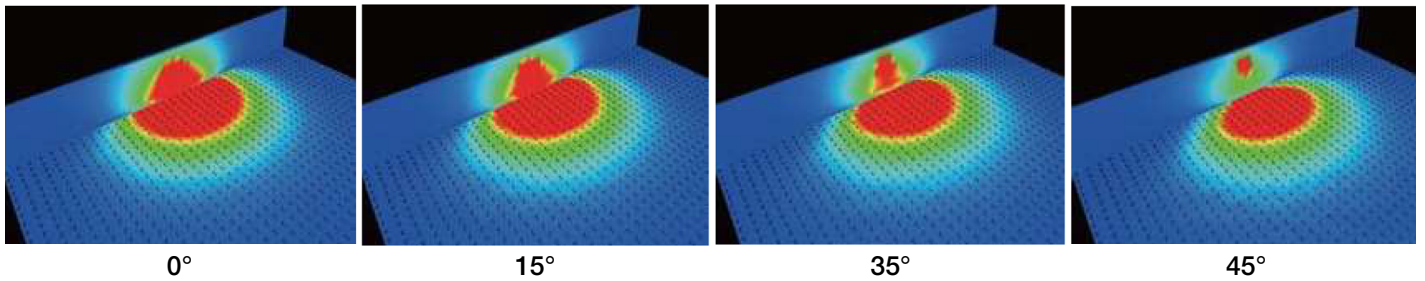
**WBA SERIES FORWARD THROW ADJUSTABLE**

**DIMENSIONS**

Model	H	L	D
WBA-60 / 100	9.25" (235mm)	14.20" (361mm)	7.73" (196mm)
WBA-150	9.75" (248mm)	17.99" (457mm)	9.76" (234mm)



**FORWARD THROW ADJUSTABLE**



Forward Throw Adjustable Dial

- 0°
- 15°
- 35°
- 45°

# WBA SERIES FORWARD THROW ADJUSTABLE

## PERFORMANCE DATA / DLC CODE

SYSTEM WATTS	CCT	VOLTAGE	LUMEN	LPW	PART NUMBER	DLC PRODUCT ID / ORDER CODE	DLC CLASS
WBA-60 24W Selection	3000K	120-277V	3900	163	WBA-60SC-DBUNVD-P	pending	DLC 5.1 Premium
	4000K	120-277V	4200	175			
	5000K	120-277V	4000	167			
WBA-60 36W Selection	3000K	120-277V	5600	156	WBA-60SC-DBUNVD-P	pending	DLC 5.1 Premium
	4000K	120-277V	6000	167			
	5000K	120-277V	5700	158			
WBA-60 48W Selection	3000K	120-277V	7100	148	WBA-60SC-DBUNVD-P	pending	DLC 5.1 Premium
	4000K	120-277V	7500	156			
	5000K	120-277V	7300	152			
WBA-60 60W Selection	3000K	120-277V	8400	140	WBA-60SC-DBUNVD-P	pending	DLC 5.1 Premium
	4000K	120-277V	8900	148			
	5000K	120-277V	8600	143			
WBA-100 40W Selection	3000K	120-277V	6000	150	WBA-100SC-DBUNVD-P	pending	DLC 5.1 Premium
	4000K	120-277V	6600	165			
	5000K	120-277V	6250	156			
WBA-100 60W Selection	3000K	120-277V	8700	145	WBA-100SC-DBUNVD-P	pending	DLC 5.1 Premium
	4000K	120-277V	9500	158			
	5000K	120-277V	9000	150			
WBA-100 80W Selection	3000K	120-277V	11000	138	WBA-100SC-DBUNVD-P	pending	DLC 5.1 Premium
	4000K	120-277V	12000	150			
	5000K	120-277V	11400	143			
WBA-100 100W Selection	3000K	120-277V	13000	130	WBA-100SC-DBUNVD-P	pending	DLC 5.1 Premium
	4000K	120-277V	14000	140			
	5000K	120-277V	13500	135			
WBA-150 60W Selection	3000K	120-277V	9000	150	WBA-150SC-DBUNVD-P	pending	DLC 5.1 Premium
	4000K	120-277V	10000	167			
	5000K	120-277V	9600	160			
WBA-150 90W Selection	3000K	120-277V	13000	144	WBA-150SC-DBUNVD-P	pending	DLC 5.1 Premium
	4000K	120-277V	14500	161			
	5000K	120-277V	13800	153			
WBA-150 120W Selection	3000K	120-277V	16500	138	WBA-150SC-DBUNVD-P	pending	DLC 5.1 Premium
	4000K	120-277V	18500	154			
	5000K	120-277V	17500	146			
WBA-150 150W Selection	3000K	120-277V	20000	133	WBA-150SC-DBUNVD-P	pending	DLC 5.1 Premium
	4000K	120-277V	22000	147			
	5000K	120-277V	21000	140			

**WBA SERIES FORWARD THROW ADJUSTABLE**

**SENSOR SPEC**

Model	Type	Mounting	Coverage	Input	Function	Programmable
CONTROL-LVFA (see page 8 for detail)	Fixture Controller	-	-	12V DC	Bluetooth Mesh On/Off/Dimming Scheduling	AVI-ON Bluetooth Mobile App
CONTROL-BLE-SK104-PH (see page 7 for detail)	Fixture Controller	-	-	12V DC	Bluetooth Mesh On/Off/Dimming Scheduling CCT Tuning	AVI-ON Bluetooth Mobile App



CONTROL-LVFA

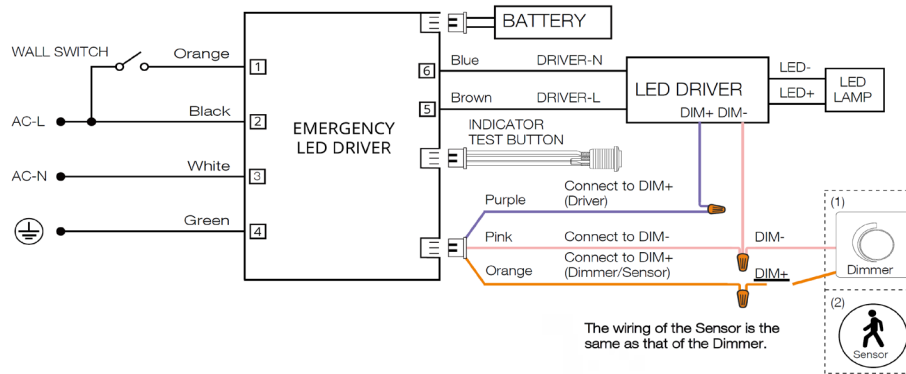


CONTROL-BLE-SK104-PH

**WBA SERIES FORWARD THROW ADJUSTABLE**

**EMB SPEC**

Model	Battery Capacity	Input	Output	Output Power	Operating Temp	Installation
EMB-8W-B	90mins	100-347VAC	170VDC	8W	0°C ~ 50°C 32°F ~ 122°F	Factory or Field Install
EMB-18W-B	90mins	100-347VAC	170VDC	18W	0°C ~ 50°C 32°F ~ 122°F	Factory or Field Install
EMB-18W-C-B	90mins	100-347VAC	170VDC	18W	-20°C ~ 50°C -4°F ~ 122°F	Factory or Field Install



**FEATURE**

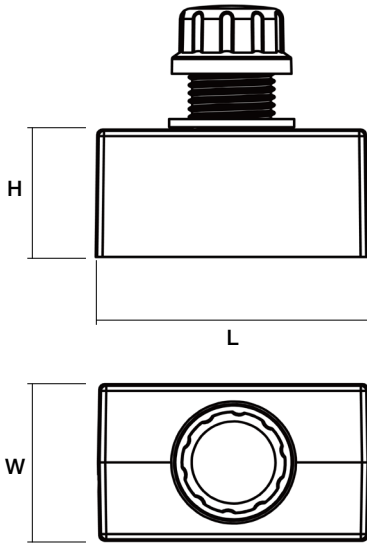
- **Installation:** Factory / Jobsite install through 1/2" knockout hole, 12V AUX power required
- **Commissioning:** Wirelessly through ALS Control Mobile App (iOS / Android)
- **Certification:** DLC 5.1 Networked Lighting Control System
- **Control:** High-End Trim, Zoning, Continuous Bi-level Dimming
- **CCT Tuning:** CCT Tuning feature for Dual/Multi-CCT LED board fixture only
- **Sensor:** Photocell
- **Zone Control:** Zoning and Grouping control, Scheduling



**SPECIFICATIONS**

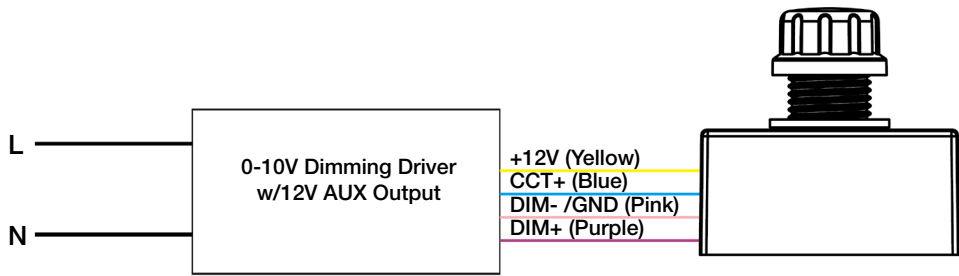
<b>SENSOR TYPE:</b>	Photocell
<b>WIRELESS STANDARDS:</b>	5.0 Bluetooth Mesh
<b>INPUT VOLTAGE:</b>	12-14VDC, >50mA
<b>CONTROL OUTPUT:</b>	0-10V
<b>OPERATING TEMP:</b>	-40°F ~ +158°F (-40°C ~ +70°C)
<b>COMMISSIONING RANGE:</b>	50FT
<b>BLUETOOTH RANGE:</b>	100FT
<b>DETECTION ANGLE:</b>	360°
<b>WARRANTY:</b>	5 years
<b>IP RATING:</b>	IP65

**DIMENSIONS**



L	H	W
1.14" (29mm)	0.94" (24mm)	1.97" (50mm)

**WIRING DIAGRAM**



**WBA SERIES FORWARD THROW ADJUSTABLE**

**CONTROL-LVFA SPEC**

**Status LEDs & Config Button**

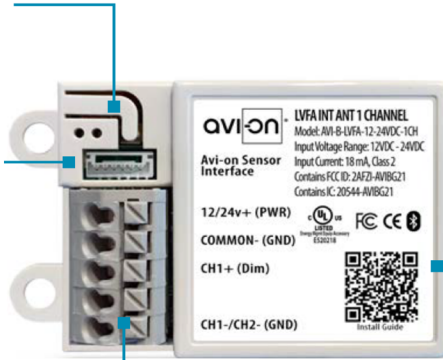
Quick and easy validation of wiring and network

**Direct Connect™ Sensor Port**

Simple and cost-effective addition to Avi-on sensors

**Terminal Blocks & Mounting Tabs**

Faster, easier and lower cost installation eliminating connectors



**Internal Antenna**

Improved performance and eliminates risk of accidentally cutting a hanging wire

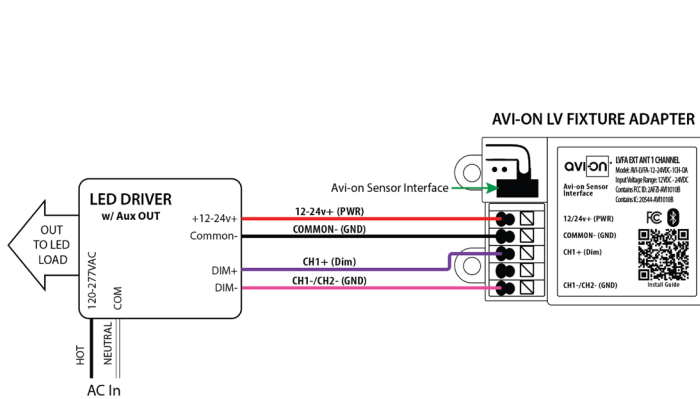
**SPECIFICATIONS**

**INPUT VOLTAGE:** 12-24VDC  
**CURRENT:** 15mA without a Sensor  
 19mA with a DC PIR Sensor  
 48mA with a DC Microwave Sensor  
**0-10V DIMMING:** 12-24VDC  
**SIZE:** 2.30in x 1.43in x 0.75in  
 (58.2mm x 36.4mm x 19mm)  
**MOUNTING:** Removable mounting tabs  
**WEIGHT:** 0.45 oz (16g)  
**OPERATING TEMP:** -22°F to +158°F (-30°C to + 70°C)

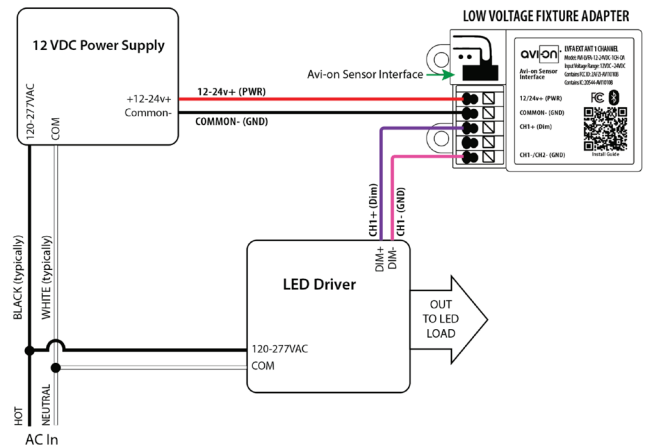
**RADIO FREQUENCY:** 2.4GHz  
**WIRELESS STANDARD:** BLE 4.2 with Mesh  
**POINT TO POINT RANGE\*:** 80ft with obstructions  
 350ft unobstructed  
**SECURITY:** AES 128-bit encryption for device to device communication  
 AES 256-bit encryption for device to cloud communication  
**WARRANTY:** 5 years; 10 years optional  
**REGULATORY:** FCC: 2AFZI-AVI1010 B  
 IC: 20544-AVI1010 B  
 BQB: D031801, DID: 86303  
 UL 916, 2043 (Plenum Rated)

\*When communicating through the mesh, range is essentially unlimited (5000ft+)

**WIRING DIAGRAM**



Fixture adapter powered by LED driver auxiliary output



Fixture adapter connected to LED driver and using power supply