

SPM SERIES SPORTS LIGHT

Client:
 Project:
 Type:
 Quantity:

CONSTRUCTION

Sealed die casting body, low profile 3G vibration rated impact design. Driver enclosure is completely sealed against moisture and environmental contaminants. Low wind-load design, light weight, EPA friendly.

OPTICS

Available in NEMA 4H x 4V distribution, optics are precisely designed to shape the distribution, maximizing efficiency and maintain high light level for various sports field application.

Light engines available in 5000K (70+ CRI) configurations. Scalable lumen package from 50,000 to 117,700 lumens.



ELECTRICAL

-40°C minimum to +55°C (-40°F to 131°F) maximum operating temperature. RoHS compliant electronic Class I drivers expected life of 150,000 hours. >.9 power factor, <20% total harmonic distortion, built-in 10kV surge protector. Optional 1-10V dimmable driver.



SENSOR / CONTROLLER

Optional: LASER-SPM - Laser Aiming Device.
 Optional: CONTROL-AVI-LVFA AVI-ON Bluetooth Mesh Controller.
 Optional: Synapse Wireless ProFX Lighting Control System

MOUNTING

Robust designed yoke mount secured with 3/4" bolt, versatile mounting bracket designed for ease of installation and offers precise horizontal and vertical aiming capability.

SHIPPING DATA

Product	Measurement	Weight
SPM-500 / 600	30"L x 20"W x 22"H	65 lb
SPM-850	30"L x 25"W x 22"H	72 lb

STANDARD FINISH

Black UV stabilized polyester powder paint finish.

CERTIFICATION

Wet location label standard.
 Meets Buy America Act requirements.
 All luminaires are built to UL1598 standards and bear appropriate cULus labels.

WARRANTY

5 year warranty, see Limited Warranty for additional information.
 Option for 10 year warranty, see "Options" on Pg 2.



SPM SERIES SPORTS LIGHT

ORDER INFORMATION				EXAMPLE: SPM 600 40 44 YM BK UD			
Fixture	Series	Power & LM	CCT	Distribution	Mounting	Finish	Input
	SPM			44	YM	BK	
Accessories Options							

A SERIES

SPM Sports Light

B POWER & LM

CODE	POWER	LPW (AVG.)
500	500W, 70168lm	139
600	600W, 86876lm	145
850	850W, 117690lm	139

C CCT

40	4000K - made to order, consult factory
50	5000K

D DISTRIBUTION

44 NEMA 4H x 4V

E MOUNTING

YM Yoke Mount

F FINISH

BK Black Finish

G INPUT

HD	347-480V input, 1-10V Dimming (Standard)
UD	110-277V input, 1-10V Dimming (Optional)

H ACCESSORIES/OPTIONS

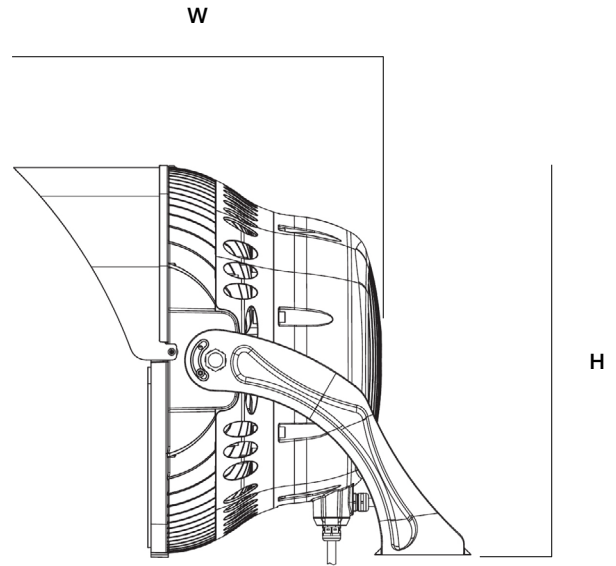
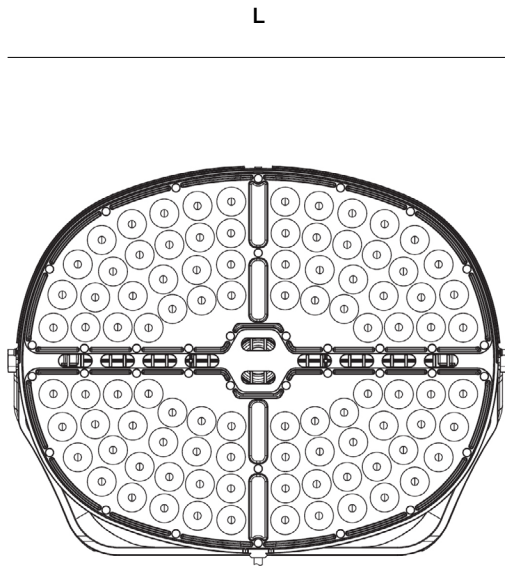
BAA	Assembled in America, compliant with BAA (COTS)
LASER-SPM	Laser aiming device
X	10-Year Warranty
MOUNT-SPM-SF	Yoke mount to Slipfitter Adapter
MOUNT-SPM-SBM	Square Beam Bracket
SURGE-LSP4-H	10kV inline Surge Protection for Universal input 480V
CONTROL-LVFA*	AVI-ON Bluetooth Mesh Control System
SYNAPSE	Synapse Wireless ProFX Lighting Control System (Consult factory)

*see page 5 for sensor spec

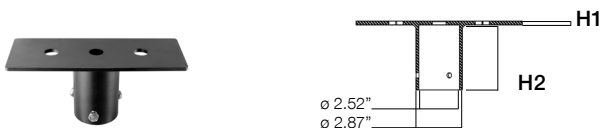
SPM SERIES SPORTS LIGHT

DIMENSIONS

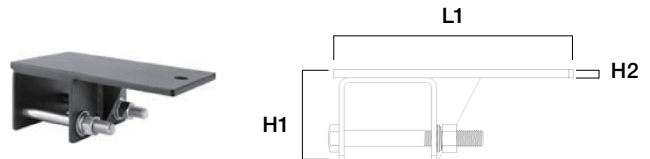
Model	L	W	H
500W / 600W	20.60" (523mm)	15.20" (386mm)	16.30" (414mm)
850W	23.80" (606mm)	17.46" (444mm)	18.50" (467mm)



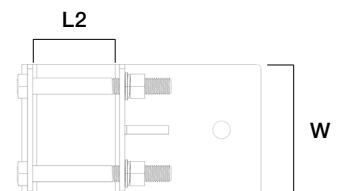
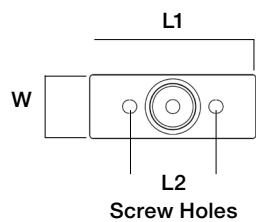
Model	L1	L2	W	H1	H2
MOUNT-SPM-SF	10.31" (262mm)	5.35" (136mm)	3.94" (100mm)	4.25" (108mm)	4.21" (107mm)
MOUNT-SPM-SBM	11.22" (285mm)	4.02" (102mm)	5.98" (152mm)	4.20" (107mm)	0.39" (10mm)



MOUNT-SPM-SF



MOUNT-SPM-SBM



SPM SERIES SPORTS LIGHT

EPA (ft²)



Mounting	Yoke	Yoke
500W / 600W	2.332	
850W		3.052

PERFORMANCE DATA

SYSTEM WATTS	VOLTAGE	DIST. TYPE	4000K		5000K		QTY ON PALLET
			LUMEN	LPW	LUMEN	LPW	
500W	100-277V, 480V	44	68226	135	70168	139	12
600W	100-277V, 480V	44	84652	141	86876	145	12
850W	100-277V, 480V	44	110520	130	117690	139	10

SPM SERIES SPORTS LIGHT

DLC CODE

Part Number	DLC Part Number	DLC Class
SPM - 500 40 44 - XX BK UD / HD	Product ID: S-SN2JV4	Premium
SPM - 500 50 44 - XX BK UD / HD	Product ID: S-93K4P7	Premium
SPM - 600 40 44 - XX BK UD / HD	Product ID: S-9CNPT1	Premium
SPM - 600 50 44 - XX BK UD	Product ID: S-LXV3Q8	Premium
SPM - 600 50 44 - XX BK HD	Product ID: S-GNKBZH	Premium
SPM - 850 40 44 - XX BK HD	Product ID: S-YPZ1T7	Premium
SPM - 850 50 44 - XX BK HD	Product ID: S-2GYJGR	Premium

SENSOR SPEC

Model	Type	Mounting	Coverage	Input	Function	Programmable
CONTROL-LVFA (see page 6 for detail)	Fixture Controller	-	-	12V DC	Bluetooth Mesh On/Off/Dimming Scheduling	AVI-ON Bluetooth Mobile App



CONTROL-LVFA

SPM SERIES SPORTS LIGHT

CONTROL-AVI-LVFA SPEC

Status LEDs & Config Button

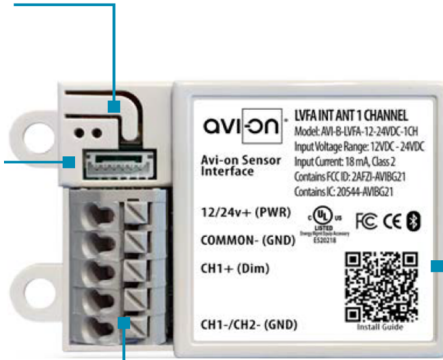
Quick and easy validation of wiring and network

Direct Connect™ Sensor Port

Simple and cost-effective addition to Avi-on sensors

Terminal Blocks & Mounting Tabs

Faster, easier and lower cost installation eliminating connectors



Internal Antenna

Improved performance and eliminates risk of accidentally cutting a hanging wire

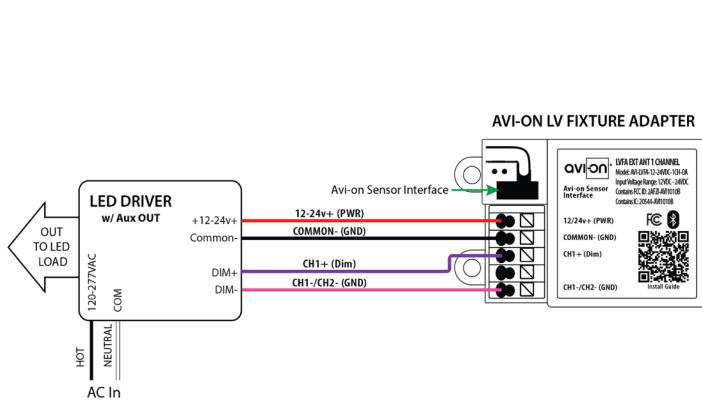
SPECIFICATIONS

INPUT VOLTAGE: 12-24VDC
CURRENT: 15mA without a Sensor
 19mA with a DC PIR Sensor
 48mA with a DC Microwave Sensor
0-10V DIMMING: 12-24VDC
SIZE: 2.30in x 1.43in x 0.75in
 (58.2mm x 36.4mm x 19mm)
MOUNTING: Removable mounting tabs
WEIGHT: 0.45 oz (16g)
OPERATING TEMP: -22°F to +158°F (-30°C to + 70°C)

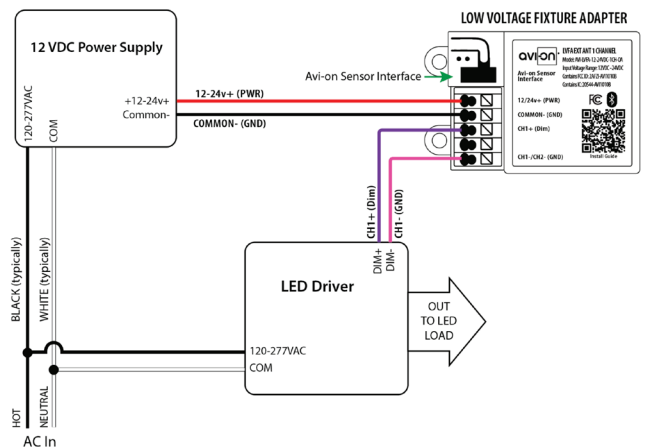
RADIO FREQUENCY: 2.4GHz
WIRELESS STANDARD: BLE 4.2 with Mesh
POINT TO POINT RANGE*: 80ft with obstructions
 350ft unobstructed
SECURITY: AES 128-bit encryption for device to device communication
 AES 256-bit encryption for device to cloud communication
WARRANTY: 5 years; 10 years optional
REGULATORY: FCC: 2AFZI-AVI1010 B
 IC: 20544-AVI1010 B
 BQB: D031801, DID: 86303
 UL 916, 2043 (Plenum Rated)

*When communicating through the mesh, range is essentially unlimited (5000ft+)

WIRING DIAGRAM



Fixture adapter powered by LED driver auxiliary output



Fixture adapter connected to LED driver and using power supply