



DLE WET RATED ADJUSTABLE RECESSED

Client:
Project:
Type:
Quantity:

CONSTRUCTION

Die-cast aluminum body directional light, with adjustable gimbal 30° tilt and 360° rotation. Available in 2", 3", 4" aperture.

OPTICS

TIR (Total Internal Reflection) optic provides smooth, uniformed light with 38° beam angle. Gasketed and sealed prevents splash of water or dust objects from entry.

ELECTRICAL

90+ CRI LEDs.
120V Input Triac dimming, >0.9 Power Factor 60Hz.
Operating Temp: -4°F ~ 113°F (-20°C ~ 45°C).
Field CCT Selectable Function.
Greater than 70% LED lumen maintenance at 50,000 hours.
Optional External Emergency Battery 120V Input.

CONTROL (OPTIONAL)

CONTROL-XFAC AVI-ON Bluetooth Zone Controller Adapter

MOUNTING

New Construction: No housing required, comes with integral driver in junction box.
Spring loaded retention arms allow for easy installation into ceilings.

STANDARD FINISH

Smooth Black finish.
Smooth White finish.

CERTIFICATION

Wet location standard.
Meets Buy America Act requirements.
All luminaires are built to UL1598 standards and bear appropriate cETLus labels.
Energy Star Certified.
California JA8, Title 24 Compliant

WARRANTY

5 year warranty, see Limited Warranty for additional information.



DLE WET RATED ADJUSTABLE RECESSED

ORDER INFORMATION **EXAMPLE : DLE 4 WH S**

| | | | | |
|---------|------------|-------|-----------|----------|
| Fixture | Series | Model | Finish | Input |
| | DLE | | WH | S |

Accessories
Options

A SERIES

DLE Wet Rated Adjustable Recessed Downlight

B MODEL

| Code | Trim Type | Power | CCT | LM (avg.) |
|------|-------------|-------|-----------------------------------|-----------|
| 2 | 2-inch Trim | 5W | 2700 / 3000 / 3500 / 4000 / 5000K | 426 |
| 3 | 3-inch Trim | 8W | 2700 / 3000 / 3500 / 4000 / 5000K | 707 |
| 4 | 4-inch Trim | 12W | 2700 / 3000 / 3500 / 4000 / 5000K | 992 |

C FINISH

| | |
|-----------|---------------------|
| BK | Smooth Black finish |
| WH | Smooth White finish |

D INPUT

S 120V Input Triac Dimming

E ACCESSORIES/OPTIONS

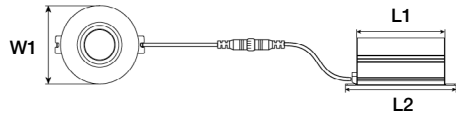
| | |
|----------------------|--|
| BAA | Assembled in America, compliant with BAA (COTS) |
| EMB-H18170* | 90-Minute Self-Diagnostic Emergency Battery 18W 100-347VAC Input 170VDC Output |
| CONTROL-XFAC* | AVI-ON Bluetooth Zone Controller Adapter |

*see page 5 for sensor and emb spec

DLE WET RATED ADJUSTABLE RECESSED

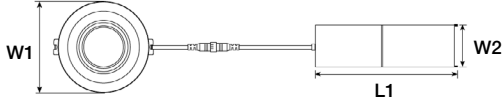
DIMENSIONS

| MODEL | W1 | L1 | L2 | H1 | H2 | CUTOUT |
|-------|--------|------|-------|-------|-------|--------|
| DLE-2 | ø2.26" | 3.6" | 4.53" | 1.59" | 2.05" | ø2.14" |



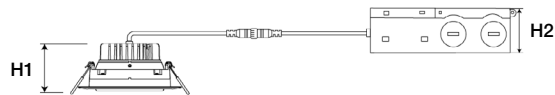
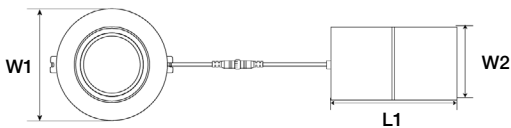
CUTOUT

| MODEL | W1 | W2 | L1 | H1 | H2 | CUTOUT |
|-------|--------|-------|-------|-------|-------|--------|
| DLE-3 | ø3.35" | 1.91" | 4.92" | 1.81" | 1.30" | ø2.84" |



CUTOUT

| MODEL | W1 | W2 | L1 | H1 | H2 | CUTOUT |
|-------|--------|-------|-------|-------|-------|--------|
| DLE-4 | ø4.92" | 2.76" | 4.72" | 2.24" | 1.38" | ø4.25" |



CUTOUT

DLE WET RATED ADJUSTABLE RECESSED

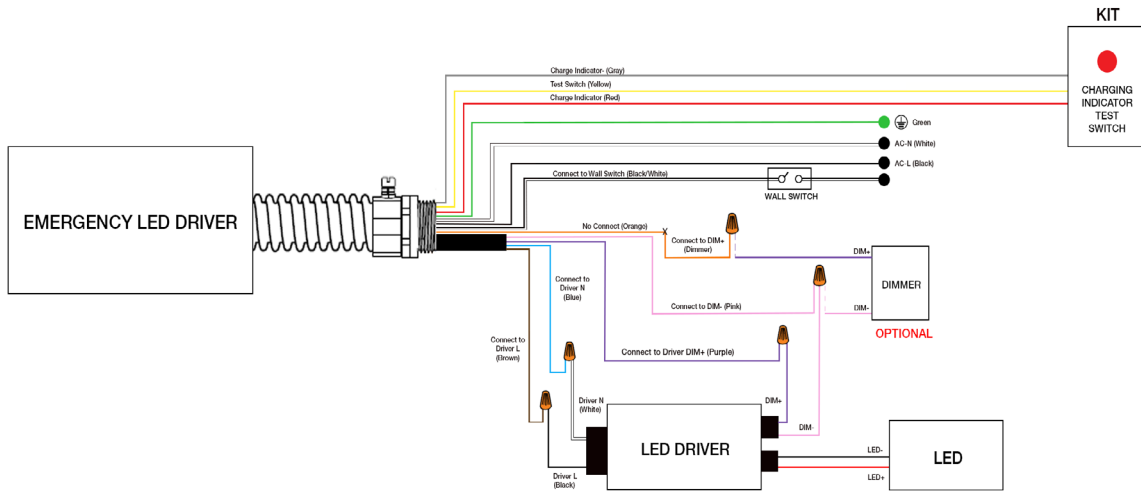
PERFORMANCE DATA

| MODEL | VOLTAGE | WATTAGE | 2700K | | 3000K | | 3500K | | 4000K | | 5000K | |
|-------|---------|---------|--------|-----|--------|-----|--------|-----|--------|-----|--------|-----|
| | | | LUMENS | LPW | LUMENS | LPW | LUMENS | LPW | LUMENS | LPW | LUMENS | LPW |
| DLE-2 | 120V | 5W | 396 | 79 | 401 | 80 | 415 | 83 | 426 | 85 | 408 | 81 |
| DLE-3 | 120V | 8W | 573 | 72 | 608 | 76 | 661 | 82 | 707 | 88 | 654 | 81 |
| DLE-4 | 120V | 12W | 861 | 72 | 901 | 75 | 931 | 77 | 992 | 83 | 978 | 81 |

DLE WET RATED ADJUSTABLE RECESSED

EMB SPEC

| Model | Battery Capacity | Input | Output | Output Power | Operating Temp | Installation |
|------------|------------------|------------|--------|--------------|----------------------------|---------------|
| EMB-H18170 | 90mins | 100-347VAC | 170VDC | 18W | 0°C ~ 50°C 32°F ~ 122°F | Field Install |



CONTROL SPEC

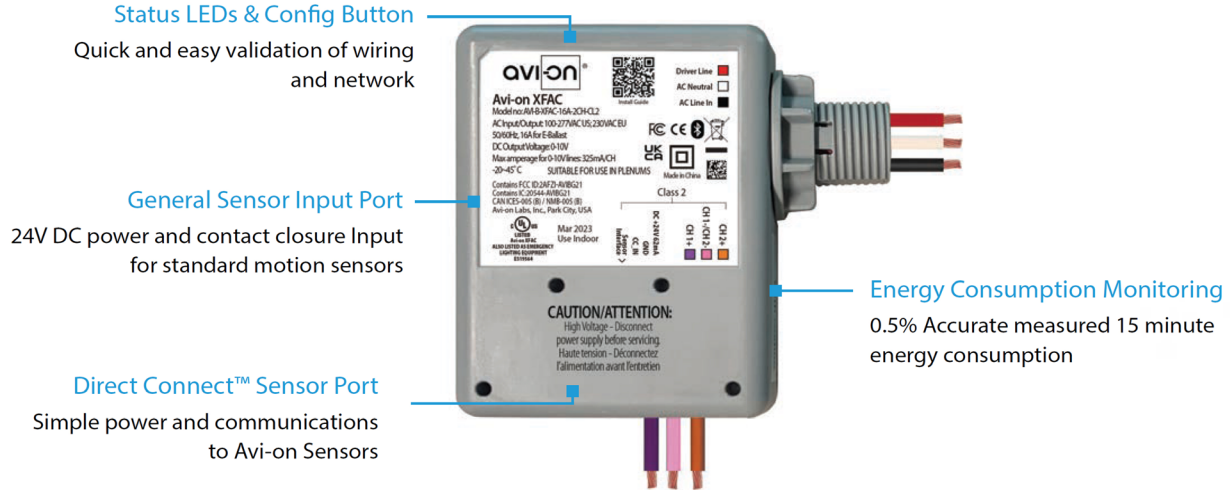
| Model | Type | Mounting | Coverage | Input | Function | Programmable |
|---|--------------------|----------|----------|------------|---|-----------------------------------|
| CONTROL-XFAC (see page 6 for detail) | Fixture Controller | - | - | 100-277VAC | Bluetooth On/Off/Dimming Scheduling | AVI-ON Bluetooth Mobile App |



CONTROL-XFAC

DLE WET RATED ADJUSTABLE RECESSED

CONTROL-XFAC SPEC



SPECIFICATIONS

| | | | |
|------------------------|---|----------------------------------|---|
| INPUT VOLTAGE: | 100-277VAC | RADIO FREQUENCY: | 50/60Hz |
| CURRENT: | MIN: 20 / 14mA MAX: 81 / 46mA | RELAY CURRENT: | 16A |
| 0-10V DIMMING: | 100-277VAC | PROTECTION/IMMUNITY: | LEVEL 4 |
| SIZE: | 3.58" x 3.58" x 1.57" (91mm x 91mm x 40mm) | AMPERAGE FOR 0-10V LINES: | Contact Discharge: ± 8kV Air Discharge: ±12kV 325mA / CH |
| STORAGE TEMP: | -40°F to + 185°F (-40°C to + 85°C) | WARRANTY: | 5 years |
| OPERATING TEMP: | -4°F to + 113°F (-20°C to + 45°C) | REGULATORY: | FCC: 2AFZI-AVIBG21 IC: 20544-AVBG21 BQB: D059595, DID: 185220 UL 924, 2043 |

WIRING DIAGRAM

