

CPA SERIES SELECTABLE GARAGE LIGHT

Client:
 Project:
 Type:
 Quantity:

CONSTRUCTION

Rugged die-cast aluminum housing with corrosion resistant powder coat finish both protects and provides architectural appearance.

Heat dissipating fins provide superior thermal performance extending the life of the luminaire.

Feed-through wiring ready, 1/2" NPT threading with water tight cap.

OPTICS

Type V Distribution

Lightly diffused lens for reduced LED pixelation and glare.

ELECTRICAL

80+ CRI Lumileds LED.

-40°C up to 40°C (-40°F up to 104°F) maximum operating temperature

160,000 hr at L70 @ 25°C, 155,000 hr at L70 40°C.

Driver operates at 120-277V input, 50/60Hz, 1-10V dimming driver standard. Option to have dimming leads pulled out for easy connection.

<20% THD, 0.9 power factor.

Optional 10kV surge protector.

Optional Emergency Backup Battery.*

SENSORS (OPTIONAL)

SENSOR-PH-PB-U Integral Button Style Photocell.

SENSOR-ANT-7D Integral Microwave Motion/on/off/dimming/photosensing.

SENSOR-BLE-7D Integral Microwave Bluetooth Bi-Level Dimming Sensor.

CONTROL-BLE-SK104-PH ALS Control Bluetooth Fixture Controller.

CONTROL-LVFA AVI-ON Bluetooth Mesh Controller.

MOUNTING

3/4" conduit entry on top for pendant mount

1/2" conduit entry on three sides

Surface Mount plate for mounting on 3" - 4" electrical box

STANDARD FINISH

Corrosion resistant Dark Bronze and White powder coating finish.

CUSTOM FINISH

Corrosion resistant Black, Graphite Metallic, Gray, Silver, or custom RAL#.

CERTIFICATION

IP66 Wet location label standard.

Meets Buy America Act requirements.

All luminaires are built to UL1598 standards and bear appropriate cULus labels.

For Emergency application, equipment with UL924 certified battery packs.

WARRANTY

5 year warranty, see Limited Warranty for additional information.



Dark Bronze Finish



White Finish

SHIPPING DATA

| Product | Measurement | Weight |
|---------|-------------------|--------|
| CPA-60 | 11"L x 11"W x 4"H | 5.6 lb |
| CPA-110 | 13"L x 13"W x 4"H | 6.5 lb |



CPA SERIES SELECTABLE GARAGE LIGHT

ORDER INFORMATION **EXAMPLE : CPA 60SC PL DB UD**

| Fixture | Series | Power & LM | CCT | Distribution | Mounting | Finish | Input |
|---------|------------|------------|-----------|--------------|-----------|--------|-------|
| | CPA | | SC | PL | JM | | |

A SERIES

CPA Garage Light Selectable

B POWER & LM

| Code | Power | LM |
|------|--------------------------------------|----------|
| 60 | Field Selectable 24 / 36 / 47 / 60W | 8,000lm |
| 110 | Field Selectable 41 / 63 / 85 / 110W | 16,000lm |

C CCT

SC Field Selectable 3000 / 4000 / 5000K

D DISTRIBUTION

PL Prismatic Lens

E MOUNTING

JM Surface Mount (3/4" conduit entry on top)

F FINISH

| Standard | | | | | | | |
|--------------|-------------|--------|-------------|-------------------|-----------|------|--|
| DB | Dark Bronze | | WH | White | | | |
| Custom Color | | | | | | | |
| CC | BK | Black | GM | Graphite Metallic | GR | Gray | |
| | SV | Silver | RAL# | | | | |

G INPUT

U 110-277V
 UD 110-277V, 0-10V Dimmable

CPA SERIES SELECTABLE GARAGE LIGHT

ORDER INFORMATION (CONTINUED)

Accessories

Options

H ACCESSORIES/OPTIONS

| | |
|------------------------------|---|
| BAA | Assembled in America, compliant with BAA (COTS) |
| BABAA | Build America, Buy America Act (BABAA) Compliant |
| EMB-CPBOX-8W-MST** | External battery enclosure with 8W Emergency Battery |
| SENSOR-PH-PB-U* | Button Style Photocell |
| SENSOR-ANT-7D* | Integral Microwave Motion/on/off/dimming/photosensing |
| SENSOR-BLE-7D* | Integral Microwave Bluetooth Bi-Level Dimming Sensor |
| CONTROL-BLE-SK104-PH* | Integral Bluetooth Fixture Controller w/Button Photocell (ALS Control Mobile App) |
| CONTROL-LVFA* | AVI-ON Bluetooth Mesh Control System |
| SURGE-LSP4-U | 10kV inline Surge Protection for Universal input |
| REMOTE-RC100 | Handheld Remote Commissioning Tool for SENSOR-819-D1/D2 Only, ANT Series |

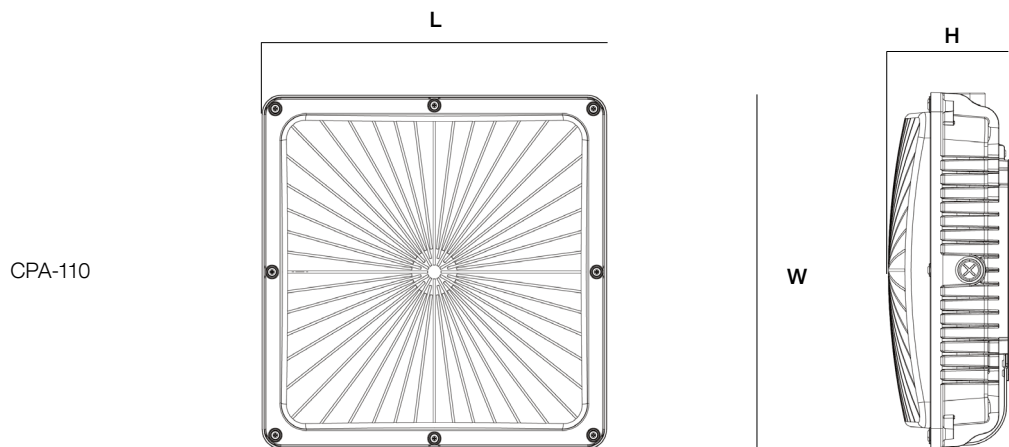
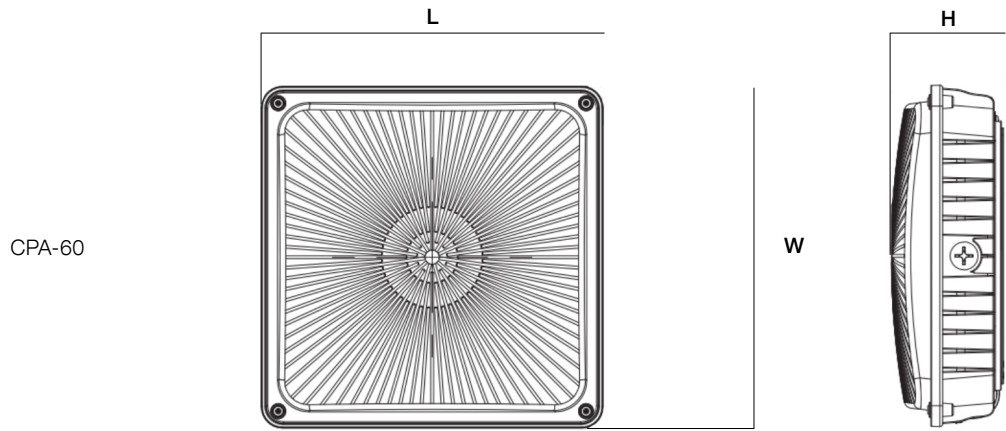
*see page 7 for sensor spec

**see page 8 for emb spec

CPA SERIES SELECTABLE GARAGE LIGHT

DIMENSIONS

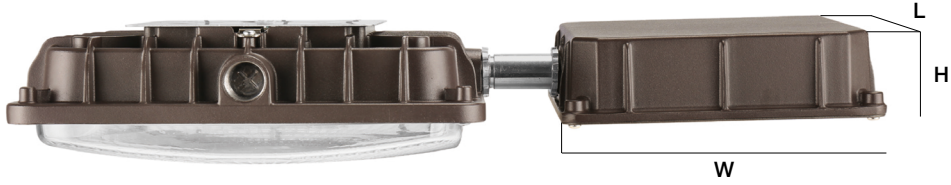
| Power | L | W | H |
|---------|----------------|----------------|--------------|
| CPA-60 | 9.57" (243mm) | 9.57" (243mm) | 3.07" (78mm) |
| CPA-110 | 11.52" (293mm) | 11.52" (293mm) | 3.80" (97mm) |



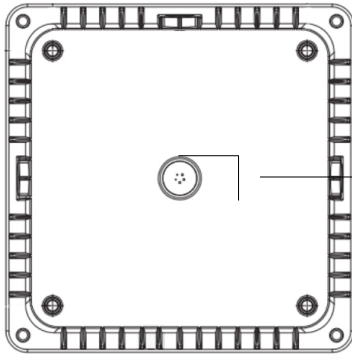
CPA SERIES SELECTABLE GARAGE LIGHT

DIMENSIONS

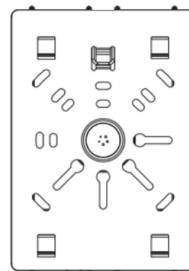
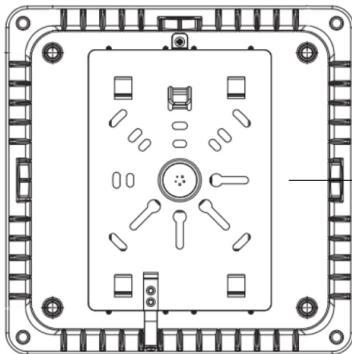
| | L | W | H |
|------------------|--------------|--------------|--------------|
| EMB-CPBOX-8W-MST | 6.4" (163mm) | 6.4" (163mm) | 2.73" (69mm) |



MOUNTING OPTIONS



3/4" conduit entry on top for pendant mount



Surface Mount Plate
 For direct mounting with electrical box

CPA SERIES SELECTABLE GARAGE LIGHT

PERFORMANCE DATA

| MODEL | VOLTAGE | WATTAGE | 3000K | | 4000K | | 5000K | | QTY ON PALLET |
|---------|----------|---------|--------|-----|--------|-----|--------|-----|---------------|
| | | | LUMENS | LPW | LUMENS | LPW | LUMENS | LPW | |
| CPA-60 | 120-277V | 24W | 3700 | 154 | 4000 | 167 | 3800 | 158 | 180 |
| | 120-277V | 36W | 5200 | 144 | 5600 | 156 | 5300 | 147 | 180 |
| | 120-277V | 47W | 6500 | 138 | 7000 | 149 | 6600 | 140 | 180 |
| | 120-277V | 60W | 7800 | 130 | 8400 | 140 | 8000 | 133 | 180 |
| CPA-110 | 120-277V | 41W | 6800 | 166 | 7200 | 176 | 7000 | 171 | 144 |
| | 120-277V | 63W | 9800 | 156 | 10500 | 167 | 10000 | 159 | 144 |
| | 120-277V | 85W | 12800 | 151 | 13600 | 160 | 13000 | 153 | 144 |
| | 120-277V | 110W | 15500 | 141 | 16500 | 150 | 16000 | 145 | 144 |

DLC CODE

| Part Number | DLC Product ID | DLC Class |
|-----------------|----------------|-----------|
| CPA-60SC-XX-UD | S-CYFP7D | Premium |
| CPA-110SC-XX-UD | S-WCQVN1 | Premium |

CPA SERIES SELECTABLE GARAGE LIGHT

SENSOR SPEC

| Model | Type | Mounting | Coverage | Input | Function | Programmable |
|--|-----------------------|------------|-------------|-----------|--|--|
| SENSOR-PH-PB-U | - | - | - | Universal | Dusk-to-Dawn Control | - |
| CONTROL-LVFA (see page 9 for detail) | Fixture Controller | - | - | 12V DC | Bluetooth Mesh On/Off/Dimming Scheduling | AVI-ON Bluetooth Mobile App |
| CONTROL-BLE-SK104-PH (see page 10 for detail) | Fixture Controller | - | - | 12V DC | Bluetooth Mesh On/Off/Dimming Scheduling CCT Tuning | ALS Control Bluetooth Mobile App |
| SENSOR-BLE-7D (see page 12 for detail) | Microwave | up to 12FT | 17FT radius | 10V DC | Bluetooth Mesh Bi-Level Dimming Motion | ALS Control Bluetooth Mobile App |
| SENSOR-ANT-7D (see page 13 for detail) | Microwave | up to 12FT | 17FT radius | 10V DC | On/Off/Dimming Motion Daylight Sensing | REMOTE-RC100 |



SENSOR-PH-PB-U



CONTROL-LVFA



CONTROL-BLE-SK104-PH

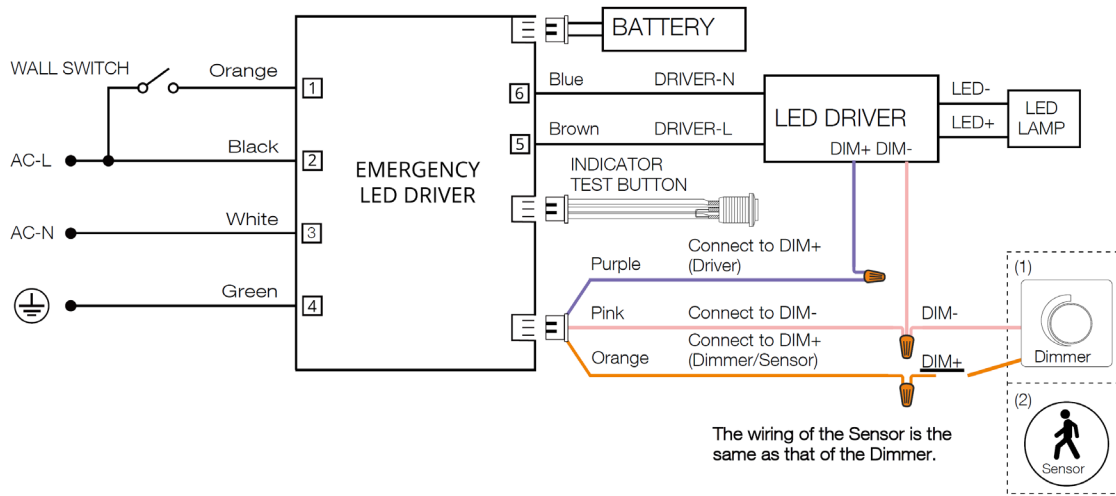


SENSOR-ANT-7D
 SENSOR-BLE-7D

CPA SERIES SELECTABLE GARAGE LIGHT

EMB SPEC

| Model | Battery Capacity | Input | Output | Output Power | Operating Temp | Installation |
|------------------|------------------|------------|--------|--------------|----------------------------|----------------------------------|
| EMB-CPBOX-8W-MST | 90mins | 100-347VAC | 170VDC | 8W | 0°C ~ 50°C 32°F ~ 122°F | Field Install Factory Install |



CPA SERIES SELECTABLE GARAGE LIGHT

CONTROL-LVFA SPEC

Status LEDs & Config Button

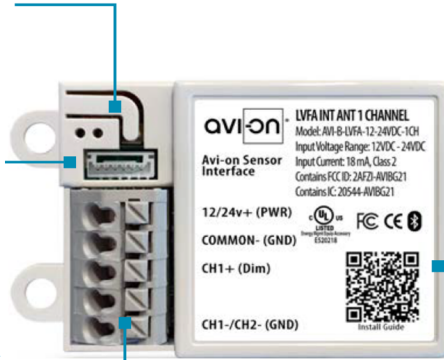
Quick and easy validation of wiring and network

Direct Connect™ Sensor Port

Simple and cost-effective addition to Avi-on sensors

Terminal Blocks & Mounting Tabs

Faster, easier and lower cost installation eliminating connectors



Internal Antenna

Improved performance and eliminates risk of accidentally cutting a hanging wire

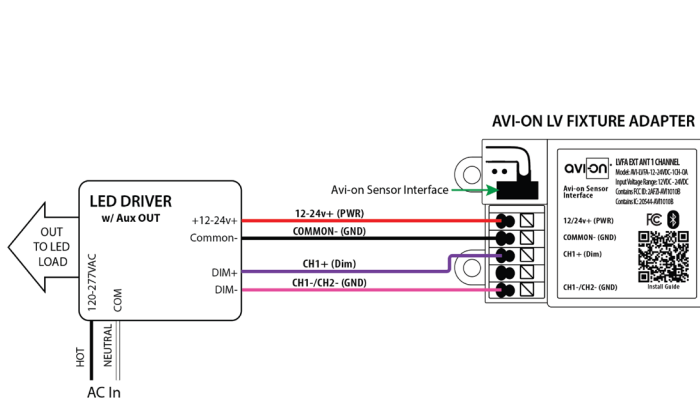
SPECIFICATIONS

INPUT VOLTAGE: 12-24VDC
CURRENT: 15mA without a Sensor
 19mA with a DC PIR Sensor
 48mA with a DC Microwave Sensor
0-10V DIMMING: 12-24VDC
SIZE: 2.30in x 1.43in x 0.75in
 (58.2mm x 36.4mm x 19mm)
MOUNTING: Removable mounting tabs
WEIGHT: 0.45 oz (16g)
OPERATING TEMP: -22°F to +158°F (-30°C to + 70°C)

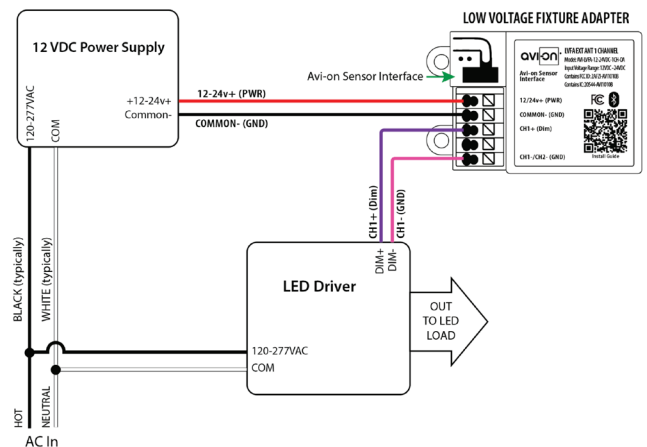
RADIO FREQUENCY: 2.4GHz
WIRELESS STANDARD: BLE 4.2 with Mesh
POINT TO POINT RANGE*: 80ft with obstructions
 350ft unobstructed
SECURITY: AES 128-bit encryption for device to device communication
 AES 256-bit encryption for device to cloud communication
WARRANTY: 5 years; 10 years optional
REGULATORY: FCC: 2AFZI-AVI1010 B
 IC: 20544-AVI1010 B
 BQB: D031801, DID: 86303
 UL 916, 2043 (Plenum Rated)

*When communicating through the mesh, range is essentially unlimited (5000ft+)

WIRING DIAGRAM



Fixture adapter powered by LED driver auxiliary output



Fixture adapter connected to LED driver and using power supply

FEATURE

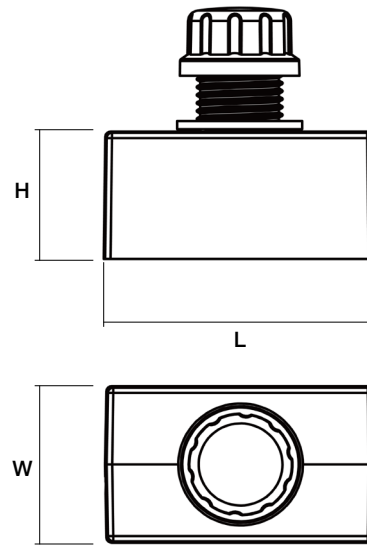
- **Installation:** Factory / Jobsite install through 1/2" knockout hole, 12V AUX power required
- **Commissioning:** Wirelessly through ALS Control Mobile App (iOS / Android)
- **Certification:** DLC 5.1 Networked Lighting Control System
- **Control:** High-End Trim, Zoning, Continuous Bi-level Dimming
- **CCT Tuning:** CCT Tuning feature for Dual/Multi-CCT LED board fixture only
- **Sensor:** Photocell
- **Zone Control:** Zoning and Grouping control, Scheduling



SPECIFICATIONS

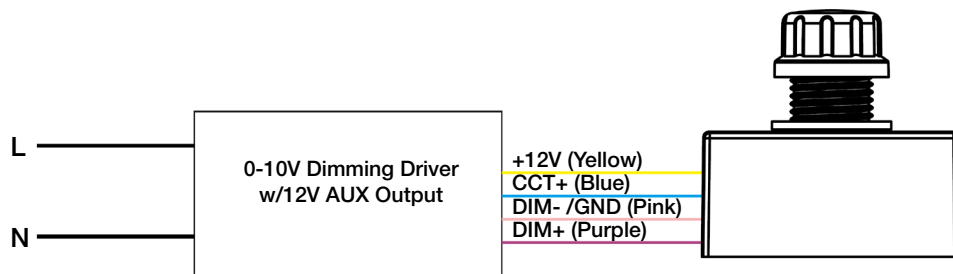
| | |
|-----------------------------|--------------------------------|
| SENSOR TYPE: | Photocell |
| WIRELESS STANDARDS: | 5.0 Bluetooth Mesh |
| INPUT VOLTAGE: | 12-14VDC, >50mA |
| CONTROL OUTPUT: | 0-10V |
| OPERATING TEMP: | -40°F ~ +158°F (-40°C ~ +70°C) |
| COMMISSIONING RANGE: | 50FT |
| BLUETOOTH RANGE: | 100FT |
| DETECTION ANGLE: | 360° |
| WARRANTY: | 5 years |
| IP RATING: | IP65 |

DIMENSIONS



| L | H | W |
|-----------------|-----------------|-----------------|
| 1.14" (29mm) | 0.94" (24mm) | 1.97" (50mm) |

WIRING DIAGRAM



FEATURE

- **Installation:** Factory or Field Install End Mount to Fixture
- **Commissioning:** Wirelessly through ALS Control Mobile App (iOS / Android)
- **Certification:** DLC 5.1 Networked Lighting Control System
- **Control:** Hold time, High-Low setting, continuous Bi-level dimming, Code-compliant manual-on or auto-off capability
- **Sensor:** Motion (Occupancy/Vacancy/Manual) and Daylight Harvesting
- **Room and Zone Control:** Zoning and Grouping control, Scheduling

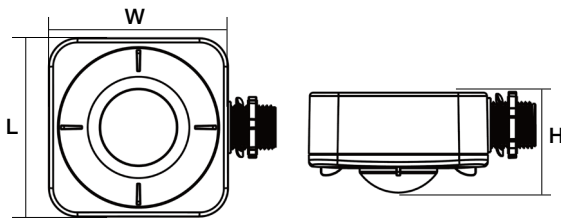


SPECIFICATIONS

SENSOR TYPE: Passive Infrared Sensor (PIR)
WIRELESS STANDARDS: Bluetooth SIG Mesh
INPUT VOLTAGE: 120/277VAC
CONTROL OUTPUT: 0-10V
OPERATING TEMP: -40°F ~ +167°F (-40°C ~ +75°C)

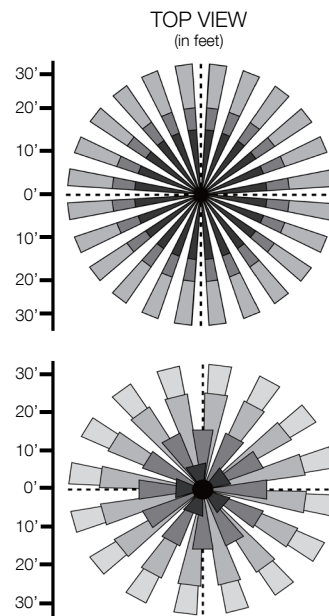
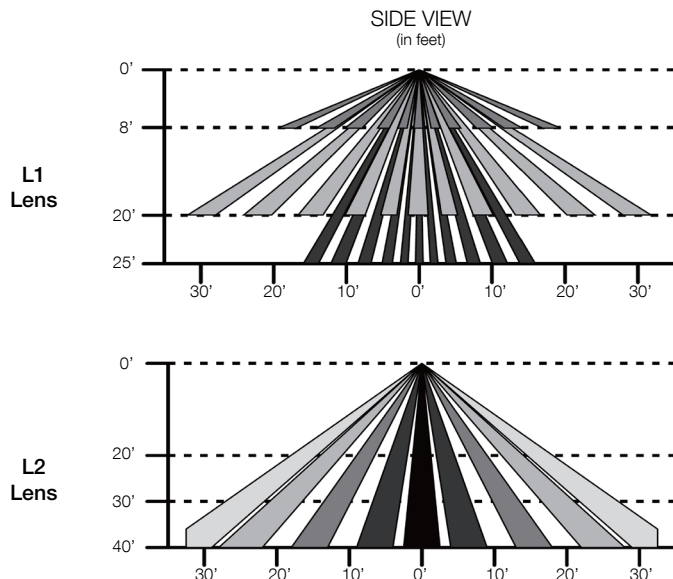
COMMISSIONING RANGE: 50FT
BLUETOOTH RANGE: Intergral antenna up to 100FT
DETECTION ANGLE: Vertical 90° x Horizontal 360°
MOUNTING HEIGHT: 8 - 40FT
WARRANTY: 5 years
IP RATING: IP20 Damp

DIMENSIONS



| L | W | H |
|-----------------|------------------|-------------------|
| 3.19" (81mm) | 4.02" (102mm) | 1.70" (43.3mm) |

COVERAGE PATTERNS



SENSOR-BLE-7D BLUETOOTH MICROWAVE SENSOR

FEATURE

- **Installation:** Factory Install - Integral to Fixture
- **Commissioning:** Wirelessly through ALS Control Mobile App (iOS / Android)
- **Certification:** DLC 5.1 Networked Lighting Control System
- **Control:** Hold time, High-Low setting, continuous Bi-level dimming, Code-compliant manual-on or auto-off capability
- **Sensor:** Motion (Occupancy/Vacancy/Manual)
- **Room and Zone Control:** Zoning and Grouping control, Scheduling

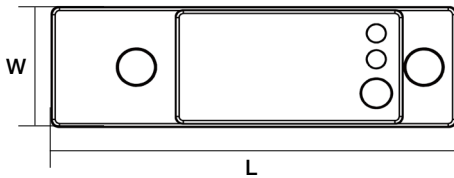


SPECIFICATIONS

SENSOR TYPE: Microwave
WIRELESS STANDARDS: Bluetooth SIG Mesh
INPUT VOLTAGE: 10-14VDC, >50mA
CONTROL OUTPUT: 0-10V
OPERATING TEMP: -40°F ~ +158°F (-40°C ~ +70°C)

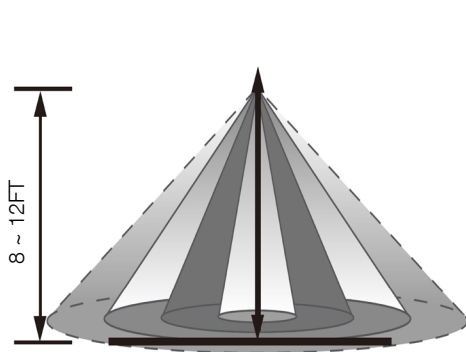
COMMISSIONING RANGE: 50FT
BLUETOOTH RANGE: Integral antenna up to 164FT
DETECTION ANGLE: 360°
MOUNTING HEIGHT: Up to 12FT
WARRANTY: 5 years
IP RATING: IP20

DIMENSIONS

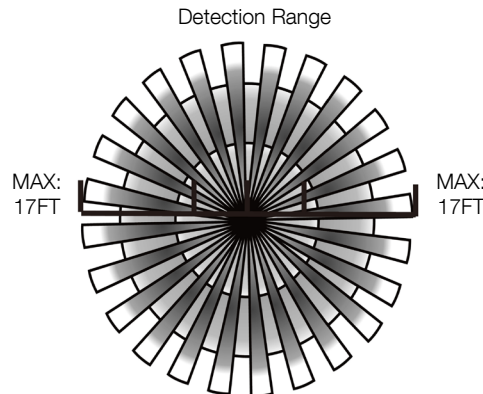


| L | W |
|------------------|------------------|
| 2.6" (65.5mm) | 0.8" (20.5mm) |

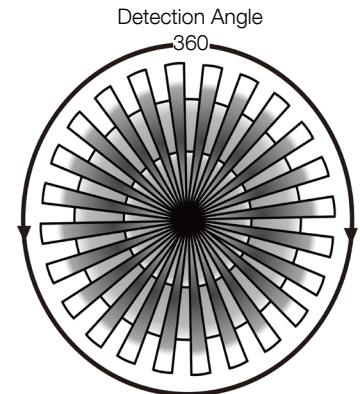
COVERAGE PATTERNS



Height of Installation 8 ~12FT



Height of Installation 8FT



SENSOR-ANT-7D MICROWAVE SENSOR

FEATURE

- **Installation:** Factory Install - Integral to Fixture
- **Commissioning:** through Remote Control
- **Control:** Hold time, High-Low setting, Continuous Bi-Level Dimming, Code-Compliant Manual-On or Auto-Off Capability
- **Sensor:** Motion (Occupancy/Vacancy/Manual)

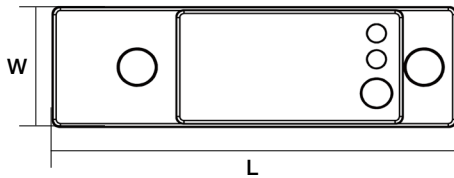


SPECIFICATIONS

SENSOR TYPE: Microwave
INPUT VOLTAGE: 12-24VDC, >50mA
LIGHT-CONTROL: 10 ~ 50LUX
CONTROL OUTPUT: 0-10V
OPERATING TEMP: -40°F ~ +158°F (-40°C ~ +70°C)

COMMISSIONING RANGE: 50FT from Remote Control
TIME SETTING: 10sec ~ 60min (adjustable)
DETECTION ANGLE: 360°
MOUNTING HEIGHT: Up to 12FT
WARRANTY: 5 years
IP RATING: IP20

DIMENSIONS



| L | W |
|------------------|------------------|
| 2.6" (65.5mm) | 0.8" (20.5mm) |

COVERAGE PATTERNS

